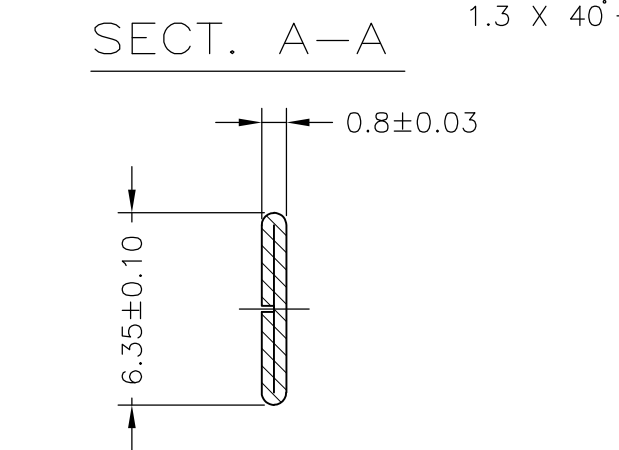
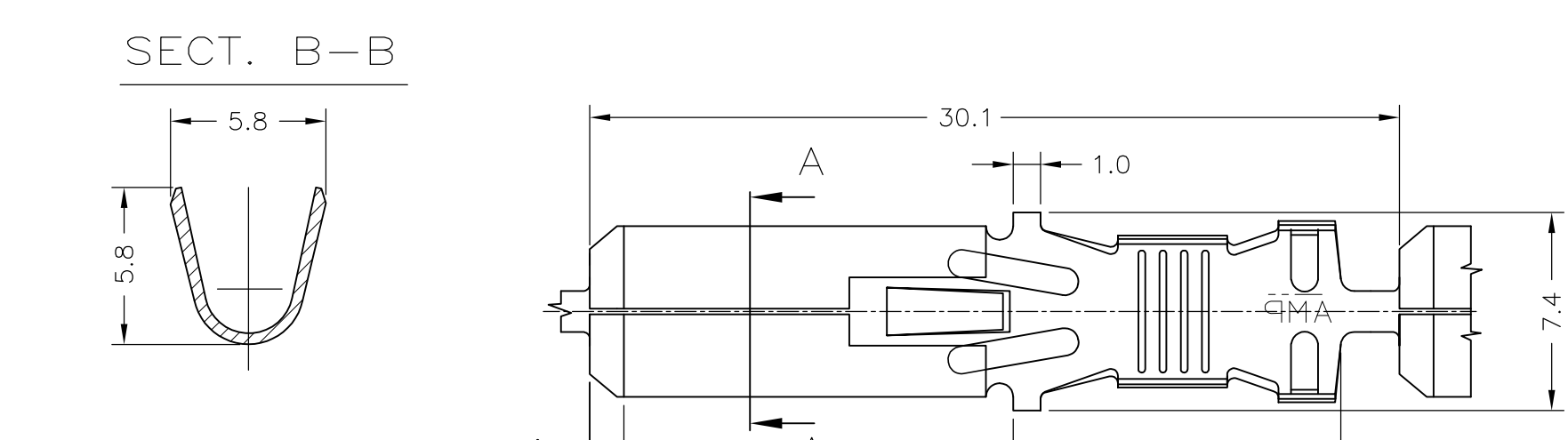
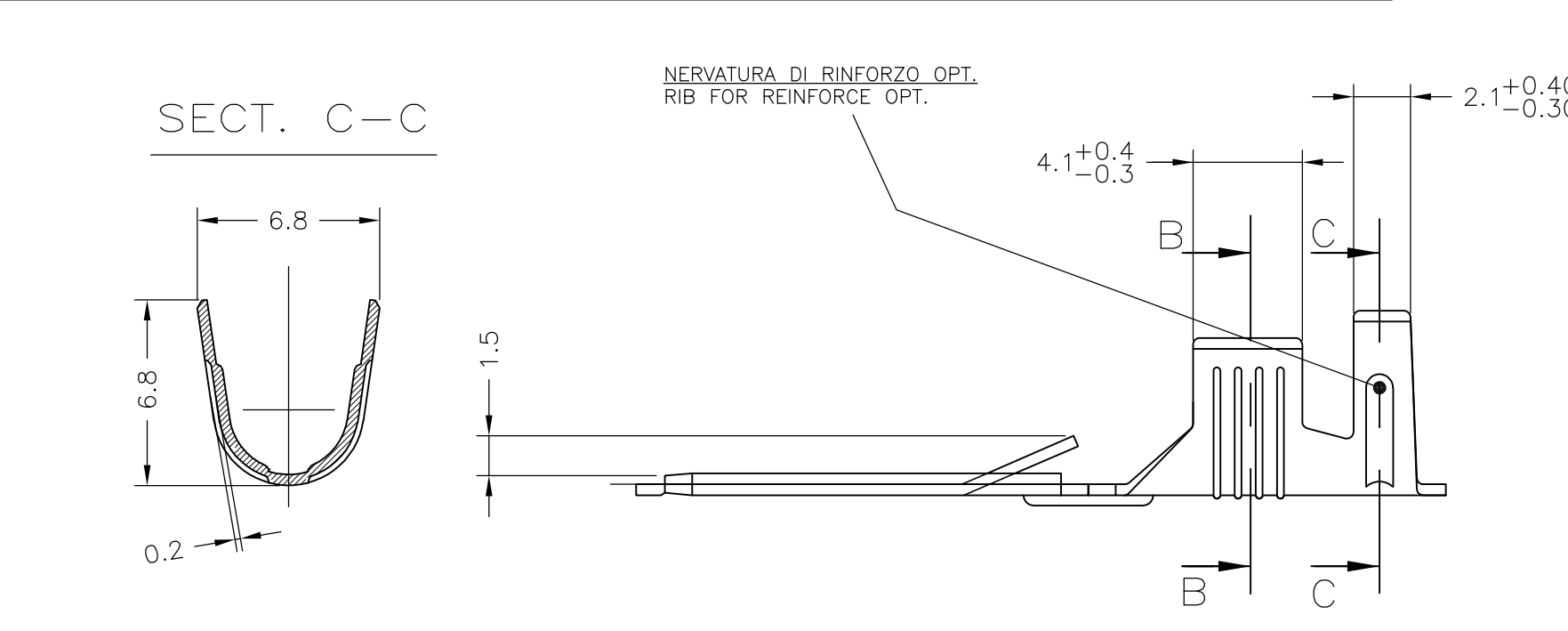


THIS DRAWING IS UNPUBLISHED. RELEASED FOR PUBLICATION 9 DEC ,1991.
 © COPYRIGHT 1991 By - ALL RIGHTS RESERVED.

LOC	DIST	REVISIONS				
P	LTR	DESCRIPTION	DATE	DWN	APVD	
-	-	AM6	DRAFTING ERROR [DIM. 45DEG CHANGED TO 40DEG]	12MAR2011	PKS	RRP



- 1 NON DISPONIBILE DALL TE ITALIA [NOT AVAILABLE FROM TE ITALY]
- 2 BOBINATO SU BOBINA 13" CON CARTA INTERPOSTA TRA LE SPIRE [REELED ON 13" CARTON REEL WITH INTERLAYER PAPER STRIP]
- 3 BOBINATO SU BOBINA 10 1/2" CON CARTA INTERPOSTA TRA LE SPIRE [REELED ON 10 1/2" CARTON REEL WITH INTERLAYER PAPER STRIP]
- 4 BOBINATO SU BOBINA 12" CON CARTA INTERPOSTA TRA LE SPIRE [REELED ON 12" CARTON REEL WITH INTERLAYER PAPER STRIP]
- 5 OBSOLETE PARTS: OBSOLETE CIS STREAMLINING PER D.RENAUD/D.SINISI

5	OBSOLETE	-	OTTONE/ BRASS	1-180352-9	3
5	OBSOLETE	1-180352-2	OT.STAG./ BRASS TINNED	1-180352-8	1 3
5	OBSOLETE	1-180409-7	OT.PRE-ST./ BR.PRE-TIN	1-180352-7	1 3
5	OBSOLETE	1-180409-6	OT.ARGENT/ BR. SILVERED	1-180352-6	1 3
5	OBSOLETE	1-180409-5	BR.FOSF.ST/ PH.BR TINNED	1-180352-5	1 3
5	OBSOLETE	1-180409-4	BR.FOSF.ARG./ PH.BR. SILVER	1-180352-4	1 3
5	OBSOLETE	1-180409-3	BRONZO FOSF./ PHOS. BR	1-180352-3	1 3
5	OBSOLETE	1-180409-2	OT.STAG./ BR.TINNED	1-180352-2	1 3
5	OBSOLETE	1-180409-1	OTTONE/ BRASS	1-180352-1	1 3
5	OBSOLETE	180409-6	OT.ARGENT. / BR.SILVERED	180352-9	1 2
5	OBSOLETE	180409-2	OT. STAG. / BR.TINNED	180352-8	1 2
5	OBSOLETE	180409-7	OT.PRE-ST / BR. PRE-TIN	180352-7	1 3
5	OBSOLETE	180409-6	OT.ARGENT/ BR. SILVERED	180352-6	4
5	OBSOLETE	180409-5	BR.FOSF.ST/PH.BR.TINNED	180352-5	
5	OBSOLETE	180409-4	BR.FOSF.ARG./PH.BR.SILVER	180352-4	
5	OBSOLETE	180409-3	BRONZO FOSF./ PHOS.BR	180352-3	
5	OBSOLETE	180409-2	OTT. PRE-STAG/BR.PRE-TIN	180352-2	4
5	OBSOLETE	180409-1	OTTONE / BRASS	180352-1	4
		LOOSE PIECE NO.	MATERIALE / FINITURA MATERIAL / FINISH	NUMERO /PART NO.	

THIS DRAWING IS A CONTROLLED DOCUMENT.

DWN P.VERGANO 12-09-91
 CHK -
 APVD -
 PRODUCT SPEC 108-20020
 APPLICATION SPEC 114-2025
 WEIGHT -

STE TE Connectivity
 FASTIN-ON TAB .250 SRS

SIZE A3 CAGE CODE 00779 DRAWING NO C-180352 RESTRICTED TO -

CUSTOMER DRAWING SCALE 4:1 SHEET 1 OF 1 REV AM6

RANGO FILO (WIRE RANGE)	4-6 mm ²
DIAM. ISOLANTE (INS. DIA. RANGE)	3.4-5.1

DIMENSIONS:	TOLERANCES UNLESS OTHERWISE SPECIFIED:
mm	
0 PLC	± -
1 PLC	± 0.3
2 PLC	± -
3 PLC	± -
4 PLC	± -
ANGLES	± 2'
MATERIAL	FINISH
-	SEE TABLE