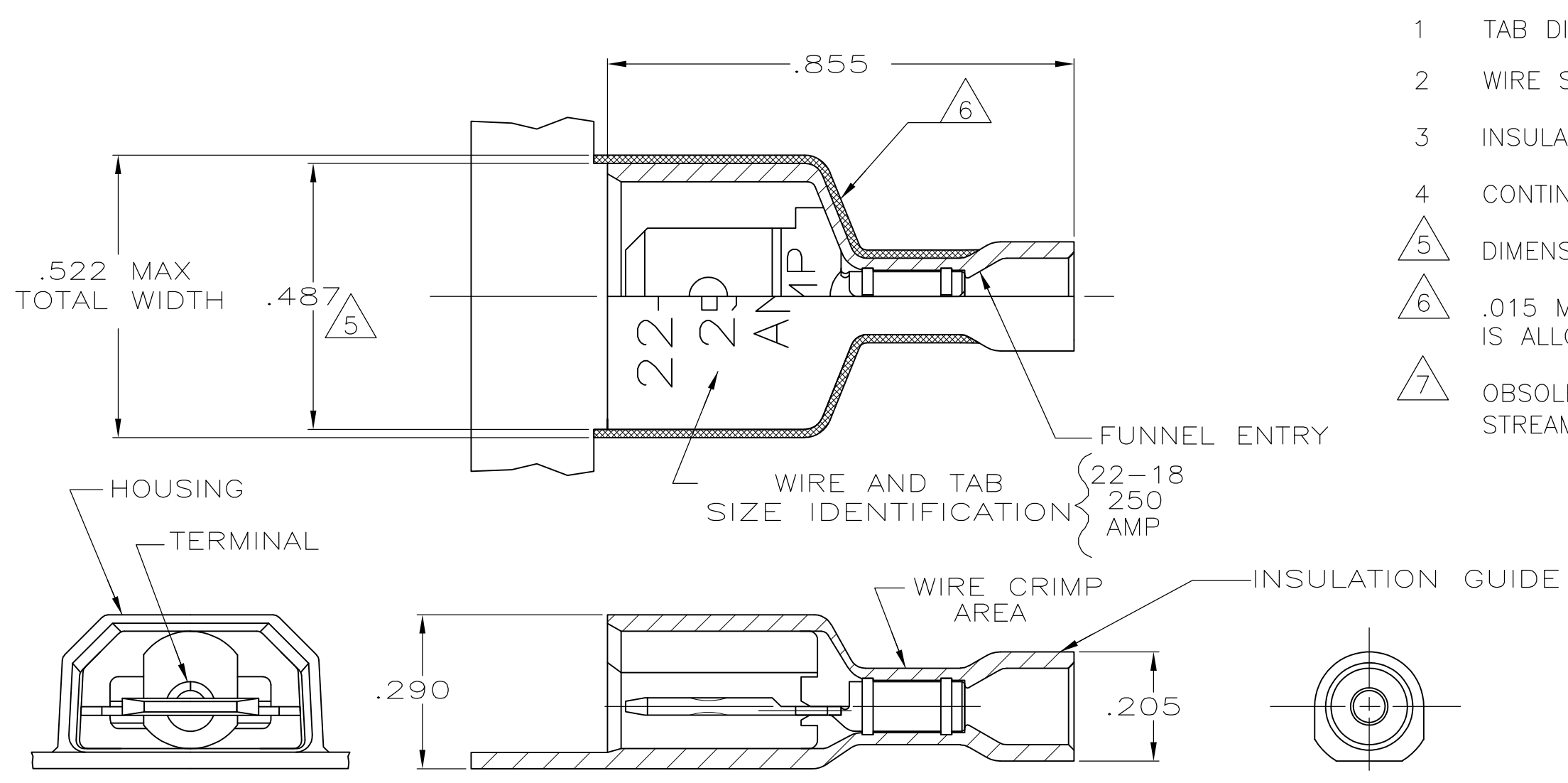


THIS DRAWING IS UNPUBLISHED. RELEASED FOR PUBLICATION
 © COPYRIGHT - By - ALL RIGHTS RESERVED.

LOC	DIST	REVISIONS					
AF	50	P	LTR	DESCRIPTION	DATE	DWN	APVD
		P		REVISED PER ECR-12-005303	18JUL12	KH	KR



- 1 TAB DIMENSIONS $.032^{+.001}_{-.002}$ x .250
- 2 WIRE STRIP LENGTH .281
- 3 INSULATION SIZE .135 MAX DIA
- 4 CONTINUOUS STRIP ON REELS
- 5 DIMENSION DOES NOT INCLUDE TRIM BURR
- 6 .015 MAX CARRIER TRIM BURR PER SIDE IS ALLOWABLE IN THE SHADED AREA
- 7 OBSOLETE PARTS: OBSOLETE CIS STREAMLINING PER D.RENAUD/D.SINISI

7	OBSOLETE	BULK	HOUSING:NYLON,COLOR-RED TRANSLUCENT TAB:#3 HARD BRASS,TIN	5-520102-2
		STANDARD	HOUSING:NYLON,COLOR-RED TRANSLUCENT TAB:#3 HARD BRASS,TIN	2-520102-2
		STANDARD	HOUSING:NYLON,COLOR-RED TRANSLUCENT TAB:#3 HARD BRASS,UNPLATED	2-520102-1
		PACKAGING	MATERIAL & FINISH	PART NO

THIS DRAWING IS A CONTROLLED DOCUMENT.		DWN P FORTNEY 11/16/88	TE Connectivity NAME TAB ASSEMBLY, ULTRA-FAST, .250 SERIES, 22-18 AWG	
DIMENSIONS: INCHES		CHK MS FEHER 11/30/88		
		APVD K RANDOLPH 11/14/88		
TOLERANCES UNLESS OTHERWISE SPECIFIED:		PRODUCT SPEC 108-2017		
MATERIAL SEE TABLE		FINISH SEE TABLE	APPLICATION SPEC 114-2123	SIZE A3
			WEIGHT -	CAGE CODE 00779
				DRAWING NO C-520102
				RESTRICTED TO -
				SCALE 4:1
				SHEET 1 OF 1
				REV P