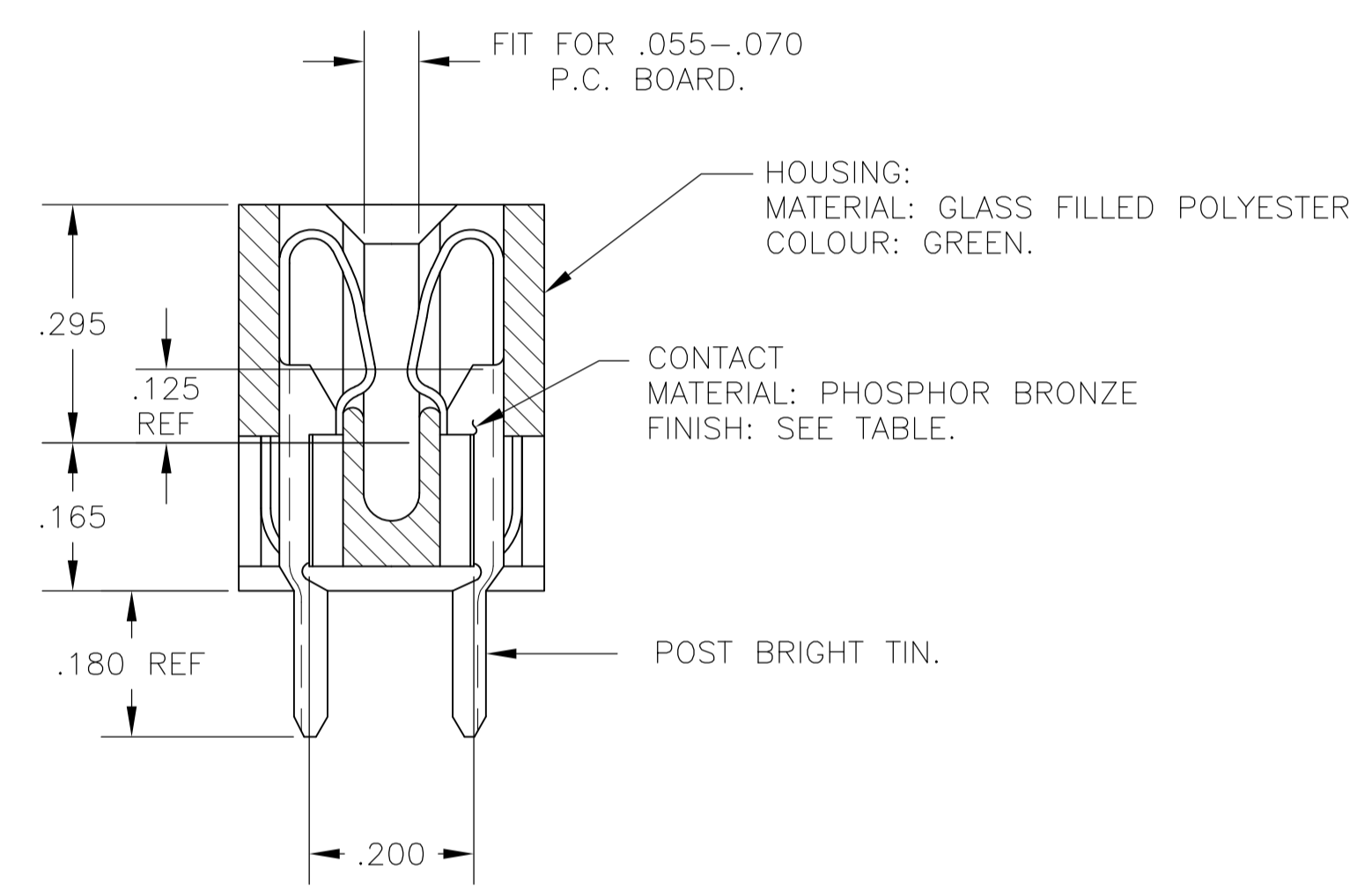
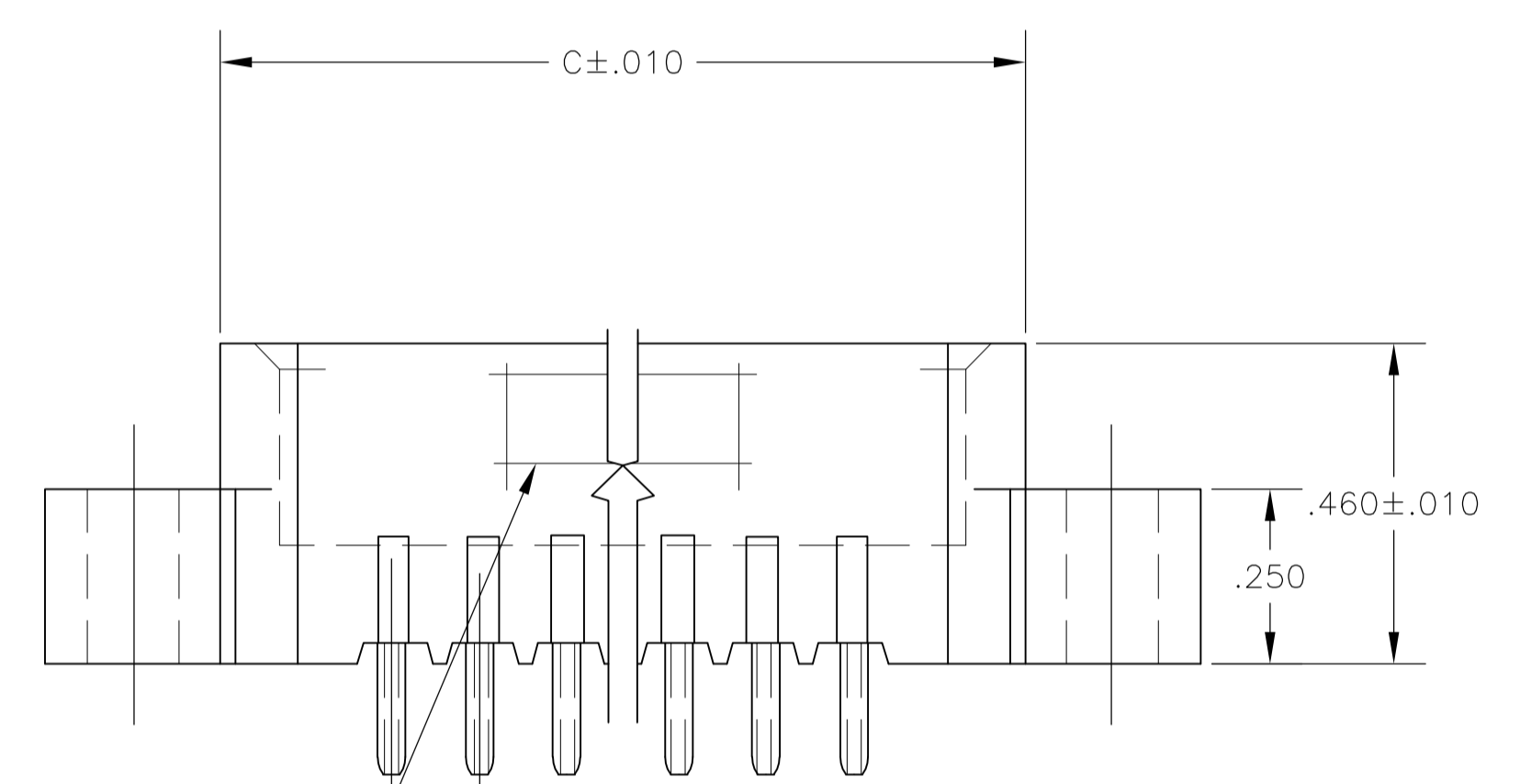
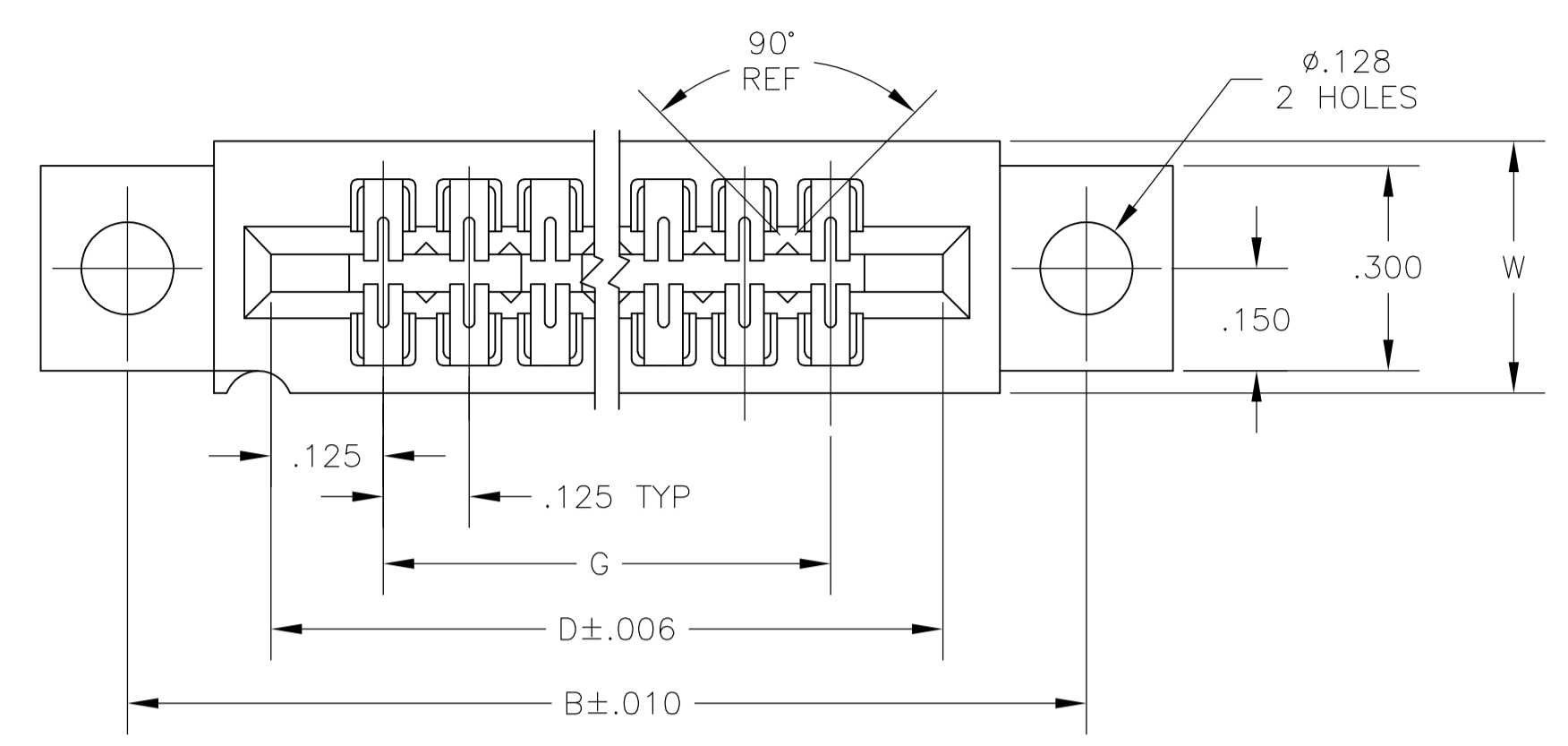
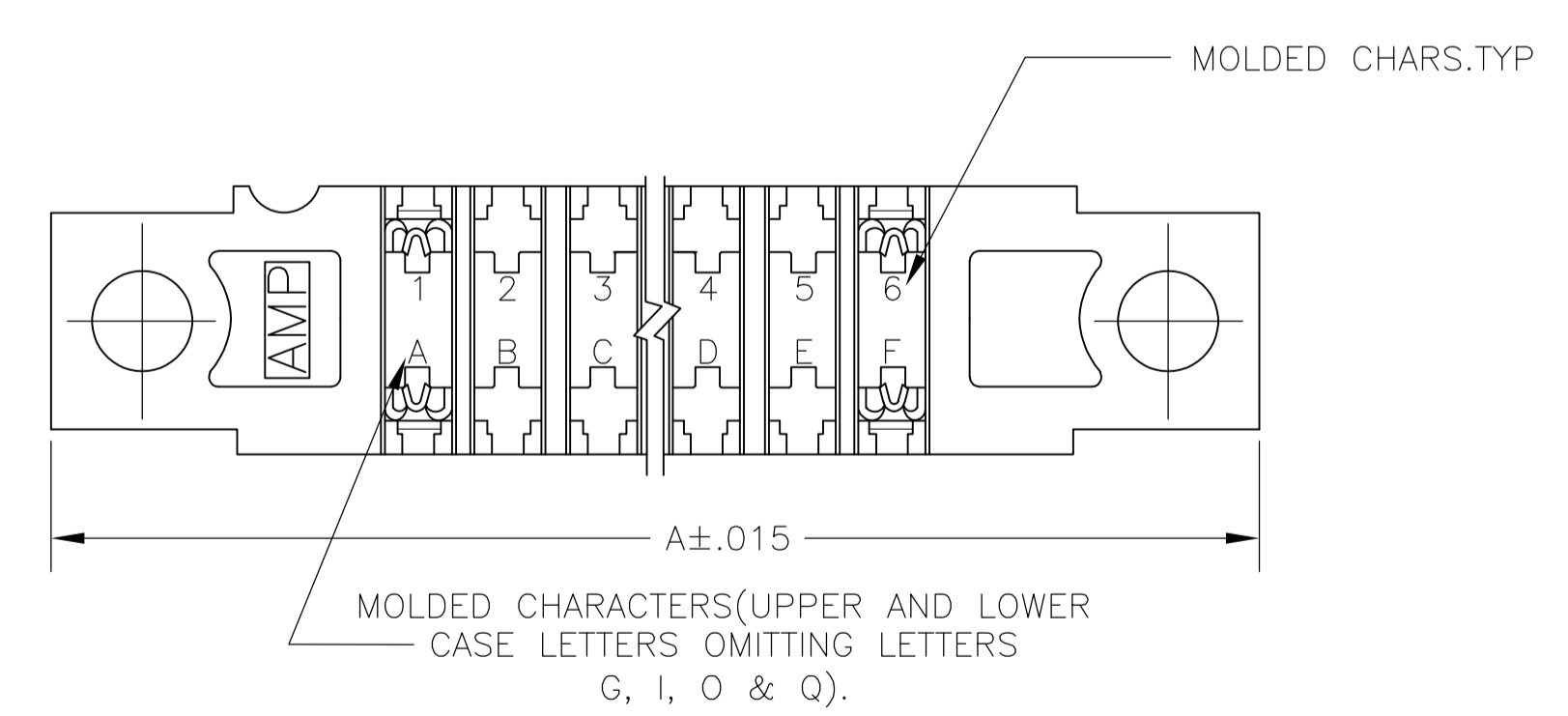


LOC		DIST		REVISIONS			
P	LTR	DESCRIPTION	DATE	DWN	APVD		
L		ECO-07-012860	24JUL2007	RB	MM		
L1		REVISED PER ECO-09-021826	11JAN10	KK	AEG		



"AMP" PART No. & DATE CODE INK STAMPED WHITE OR HOT STAMP (NO WHITE TAPE) IN THIS AREA. (SIDE OPTIONAL)



- 1 .000015 MIN GOLD OVER .000050 MIN. NICKEL IN CONTACT AREA.
- 2 .000030 MIN GOLD OVER .000050 MIN. NICKEL IN CONTACT AREA.
- 3 ALL PARTS ASSEMBLED IN MEXICO MUST BE STAMPED "ASSY IN MEXICO" THE WORD "MEXICO" CAN BE SUBSTITUTED ONLY WHERE PART SIZE PROHIBITS STAMPING "ASSY IN MEXICO", INK STAMP COLOR WHITE OR HOT STAMP (NO WHITE TAPE) 115-9009APPROX WHERE SHOWN, SIDE OPTIONAL.
- 4 MATTE TIN PLATED CONTACT TAILS.
- 5 OBSOLETE PARTS: OBSOLETE CIS STREAMLINING PER D.RENAUD/D.SINISI

4	-	18	3.055	2.795	2.535	2.375		2.125	7-530663-4	.370	
5	4	10	2.055	1.795	1.535	1.375		1.125	7-530663-2	.370	
		50	7.055	6.795	6.535	6.375		6.125	3-530663-2	.437	
		43	6.180	5.920	5.660	5.500		5.250	3-530663-1	.437	
		40	5.805	5.545	5.285	5.125		4.875	3-530663-0	.437	
		36	5.305	5.045	4.785	4.625		4.375	2-530663-9	.370	
		31	4.680	4.420	4.160	4.000		3.750	2-530663-8	.370	
		30	4.555	4.295	4.035	3.875		3.625	2-530663-7	.370	
		28	4.305	4.045	3.785	3.625		3.375	2-530663-6	.370	
		22	3.555	3.295	3.035	2.875		2.625	2-530663-5	.370	
		18	3.055	2.795	2.535	2.375		2.125	2-530663-4	.370	
		15	2.680	2.420	2.160	2.000		1.750	2-530663-3	.370	
		10	2.055	1.795	1.535	1.375		1.125	2-530663-2	.370	
		6	1.555	1.295	1.035	.875		.625	2-530663-1	.370	
1	PART NO	NO.OF. POSITION	A	B	C	D		G	2	PART NO	W

THIS DRAWING IS A CONTROLLED DOCUMENT.

DIMENSIONS: INCHES

TOLERANCES UNLESS OTHERWISE SPECIFIED:

0 PLC	± .005
1 PLC	± .005
2 PLC	± .005
3 PLC	± .005
4 PLC	± .005
ANGLES	± .005

MATERIAL: SEE CALL-OUT

FINISH: SEE CALL-OUT

WEIGHT: --

CUSTOMER DRAWING

DIN: 04APR75

CHK: 04APR75

APVD: 14APR75

NAME: Tyco Electronics Corporation Harrisburg, PA 17105-3608

PRODUCT SPEC: HOUSING ASSY. LOW PROFILE EDGE CONNECTOR FLOW SOLDER FOR .052 DIA HOLE .125 X .200 CENTERS, .180 LONG.

APPLICATION SPEC: --

SIZE: A1

SCALE: 4:1

SHEET: 1 of 1

REV: L1