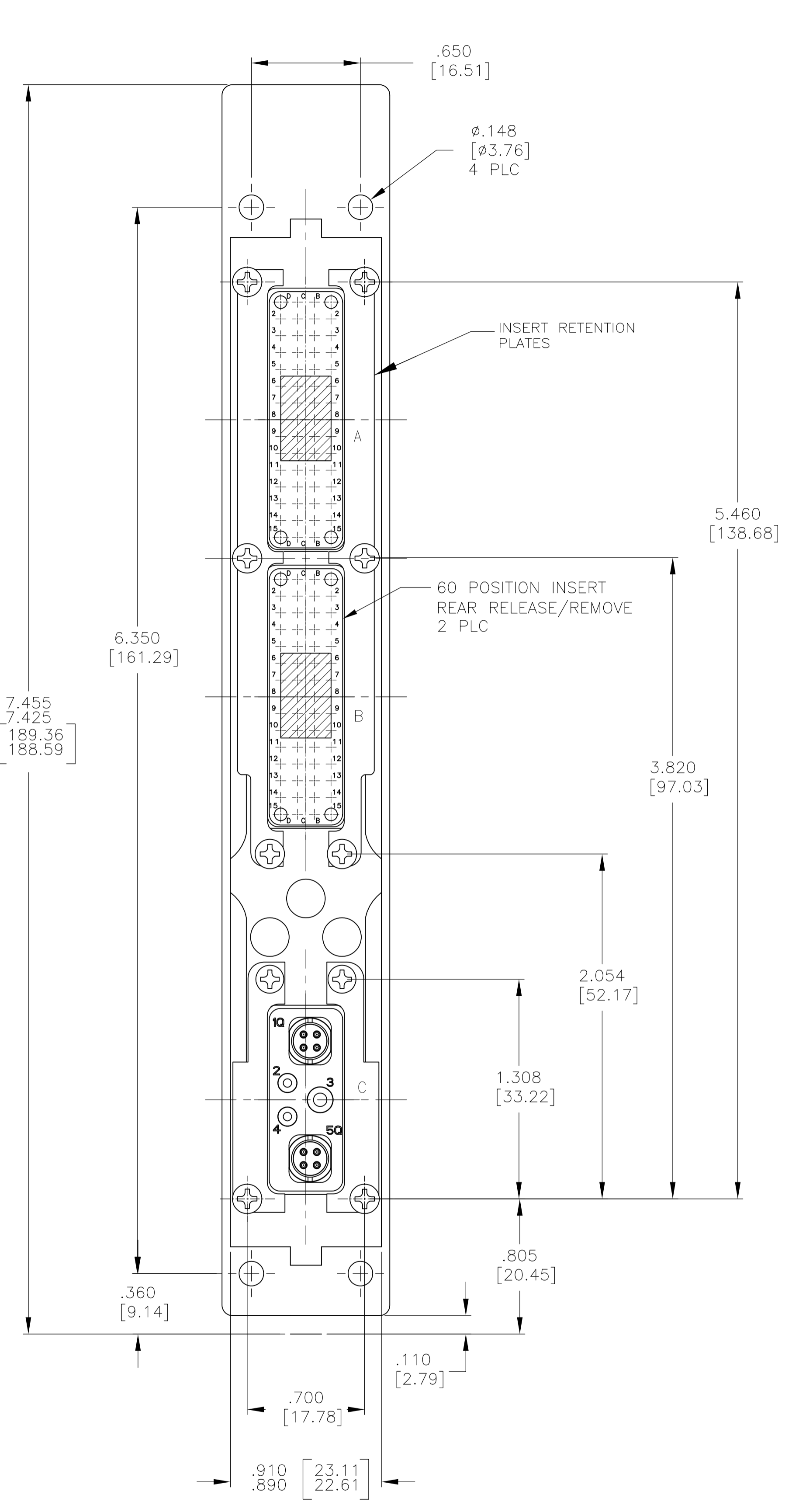
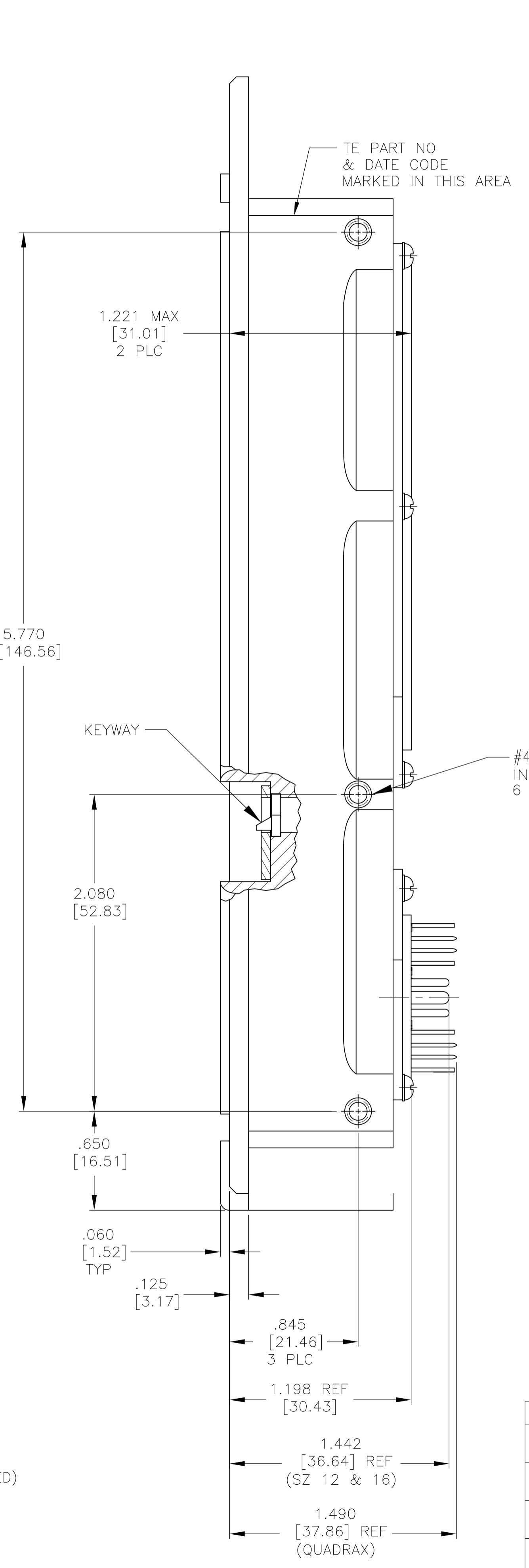
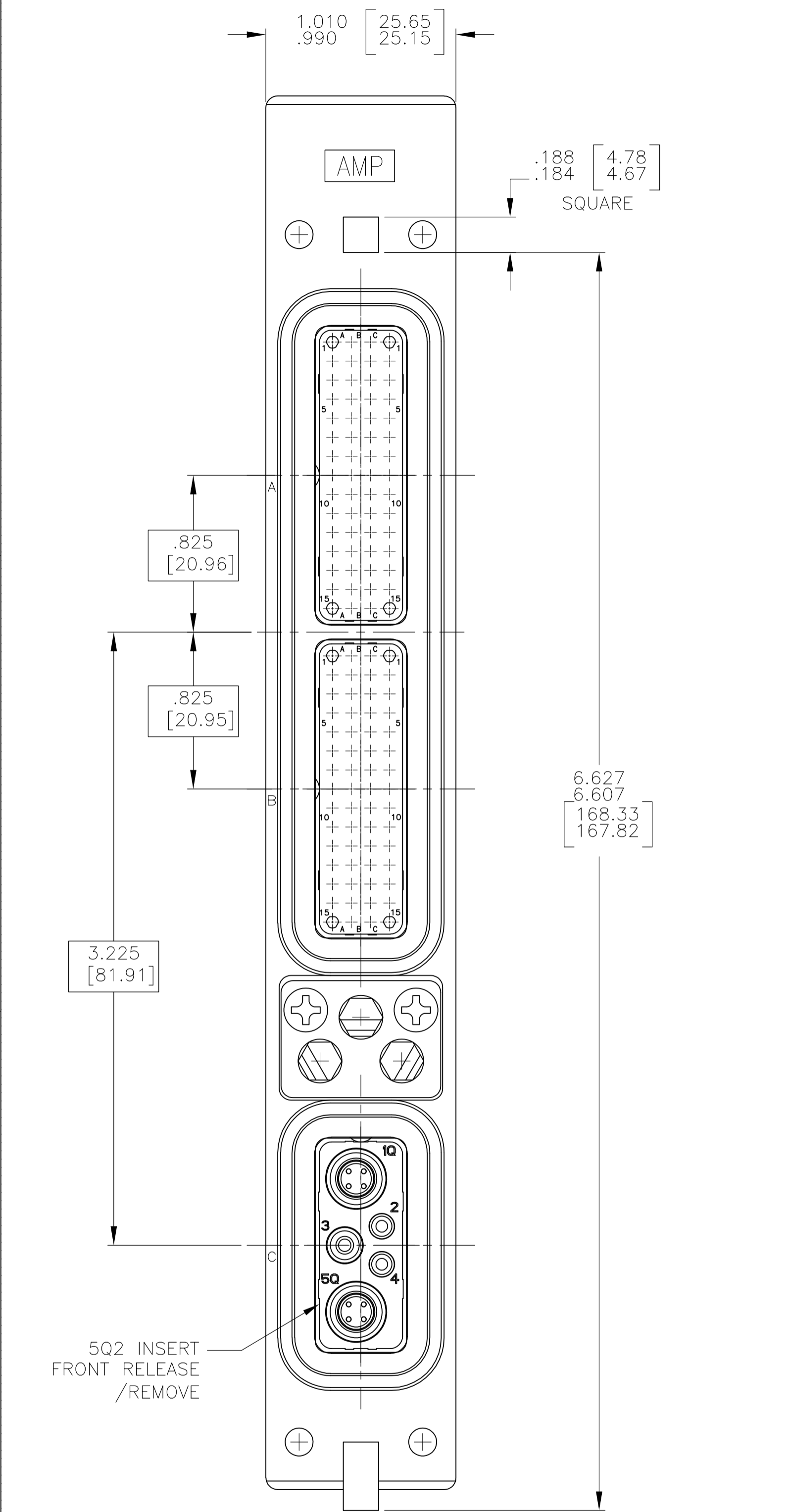


REVISONS		DATE	BY	APPV
P	LTR	DESCRIPTION		
C		REVISED PER ECO-15-011840	17NOV15	RS CT



- CONNECTOR DIMENSIONS ARE PER ARINC 600 SPECIFICATION
 - FOLLOWING CONTACTS ARE INCLUDED:
 SIZE 22 CRIMP SOCKET CONTACT: TE P/N 208264-2; QTY: 120 (NOT LOADED)
 SIZE 16 POSTED PIN CONTACT: TE P/N 1-448139-4; QTY: 2 (LOADED)
 SIZE 12 POSTED PIN CONTACT: TE P/N 1-448140-8; QTY: 1 (LOADED)
 SIZE 8 POSTED QUADRAX CONTACT: TE P/N 1445626-4; QTY: 2 (LOADED)
- 3 SEE TABLE FOR KEYING POSITION. FOR POSITION "00" KEYING SHIPPED UNASSEMBLED.

COMPONENT	MATERIAL	FINISH
SHELL	DIE CAST ALUMINUM PER ASTM-B-85	CHEMICAL CONVERSION COATING PER MIL-C-5541, CLASS 1A
RETENTION PLATES	ALUMINUM ALLOY PER ASTM-B-209	CHEMICAL CONVERSION COATING PER MIL-C-5541, CLASS 1A
SCREWS, LOCKWASHERS	STEEL OR STAINLESS STEEL	CHROMATE OVER ZINC OR PASSIVATED
POLARIZING KEYS	ZINC ALLOY PER ASTM-B-86	-
POLARIZING KEY RETAINING PLATE	ALUMINUM ALLOY PER ASTM-B-209	BLUE ANODIZED PER MIL-A-8625
INSERTS	THERMOSET	-

OBSOLETE	"08"	2157537-1
3 KEYING POSITION		PART NO.

THIS DRAWING IS A CONTROLLED DOCUMENT.

DIMENSIONS: INCHES	TOLERANCES UNLESS OTHERWISE SPECIFIED:	DIN C.C.THOMAS 4-19-11	NAME RCPT ASSY, SIZE 1, ARINC 600 ARINC 600, (60/60/5Q2)
0 PLC ± -	1 PLC ± -	CHK K.HOGAN 4-19-11	APVD K.HOGAN 4-19-11
2 PLC ± -	3 PLC ± .005 [0.13]	PRODUCT SPEC	APPLICATION SPEC
4 PLC ± -	ANGLES ± -	SIZE A1	SCALE 2:1
MATERIAL SEE TABLE	FINISH SEE TABLE	WEIGHT	SHEET 1 OF 1
CUSTOMER DRAWING		00779 C=2157537	REV C