

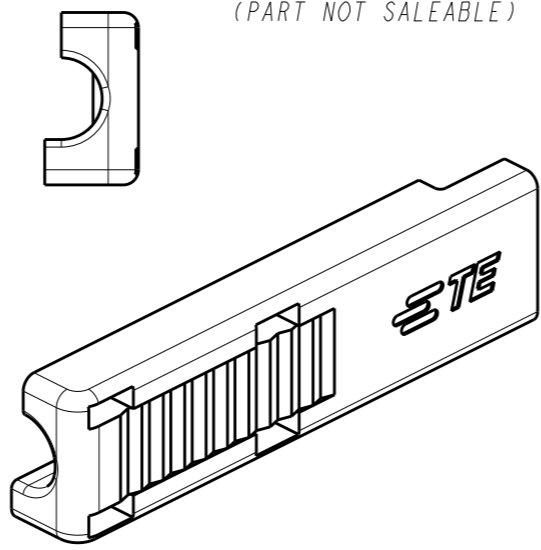
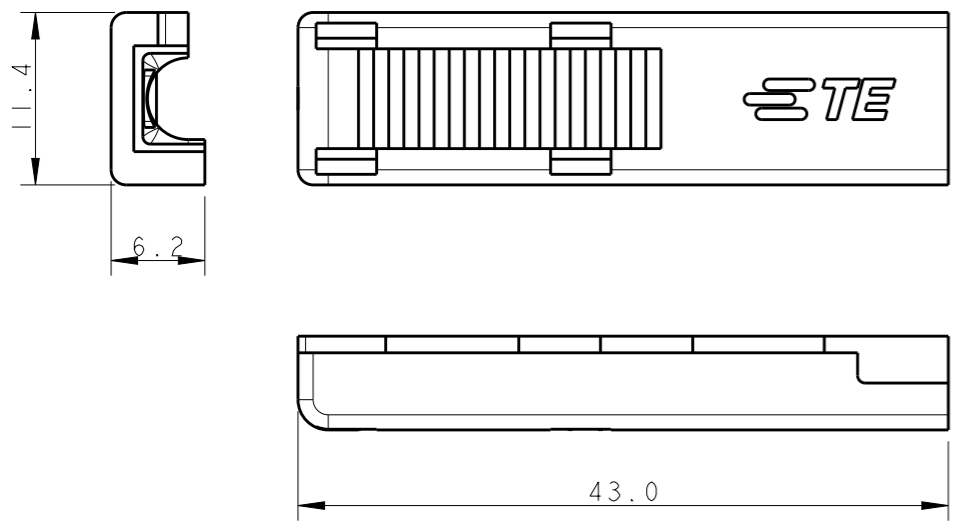
THIS DRAWING IS UNPUBLISHED.

RELEASED FOR PUBLICATION

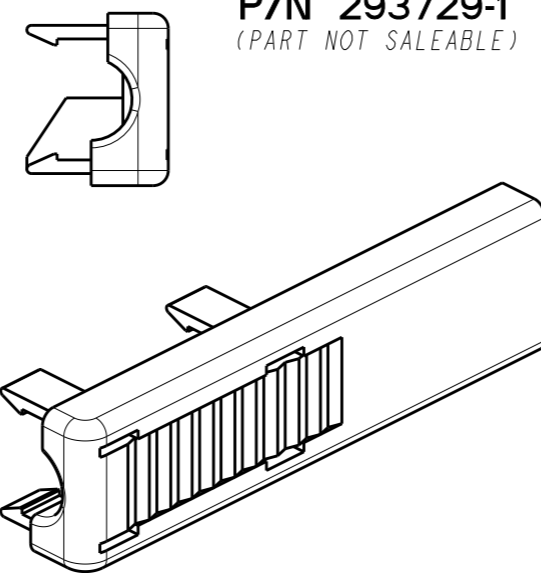
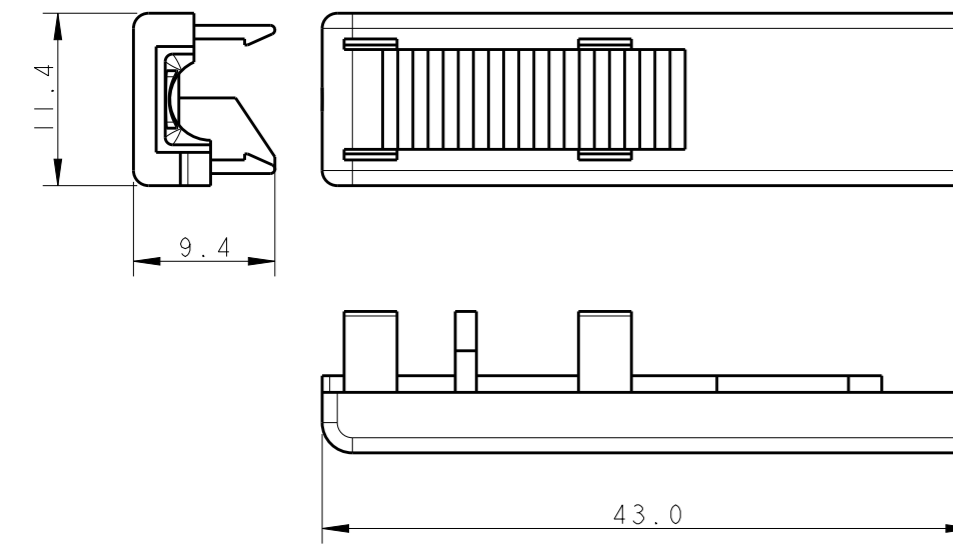
2010

© COPYRIGHT 2010 BY TYCO ELECTRONICS CORPORATION. ALL INTERNATIONAL RIGHTS RESERVED.

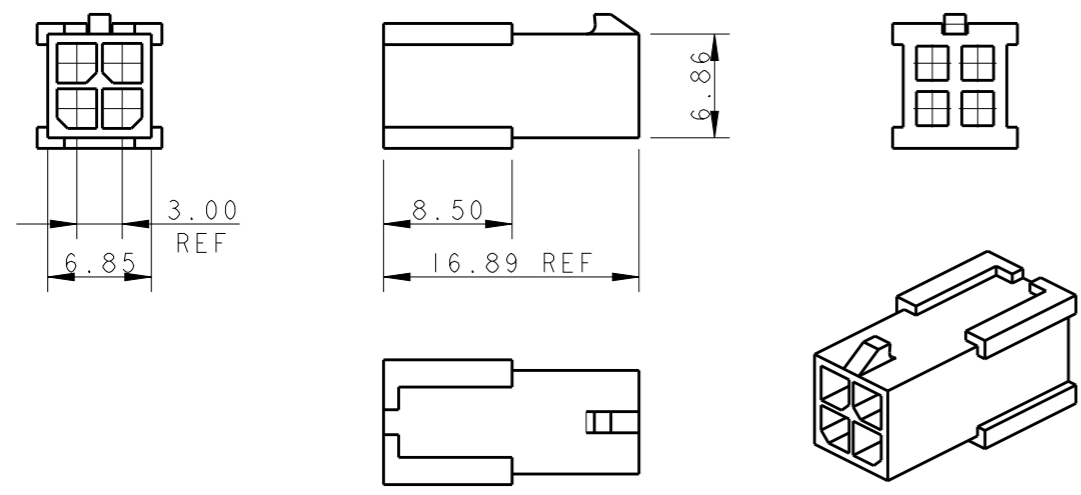
COVERPART "A"
P/N 293728-1
(PART NOT SALEABLE)



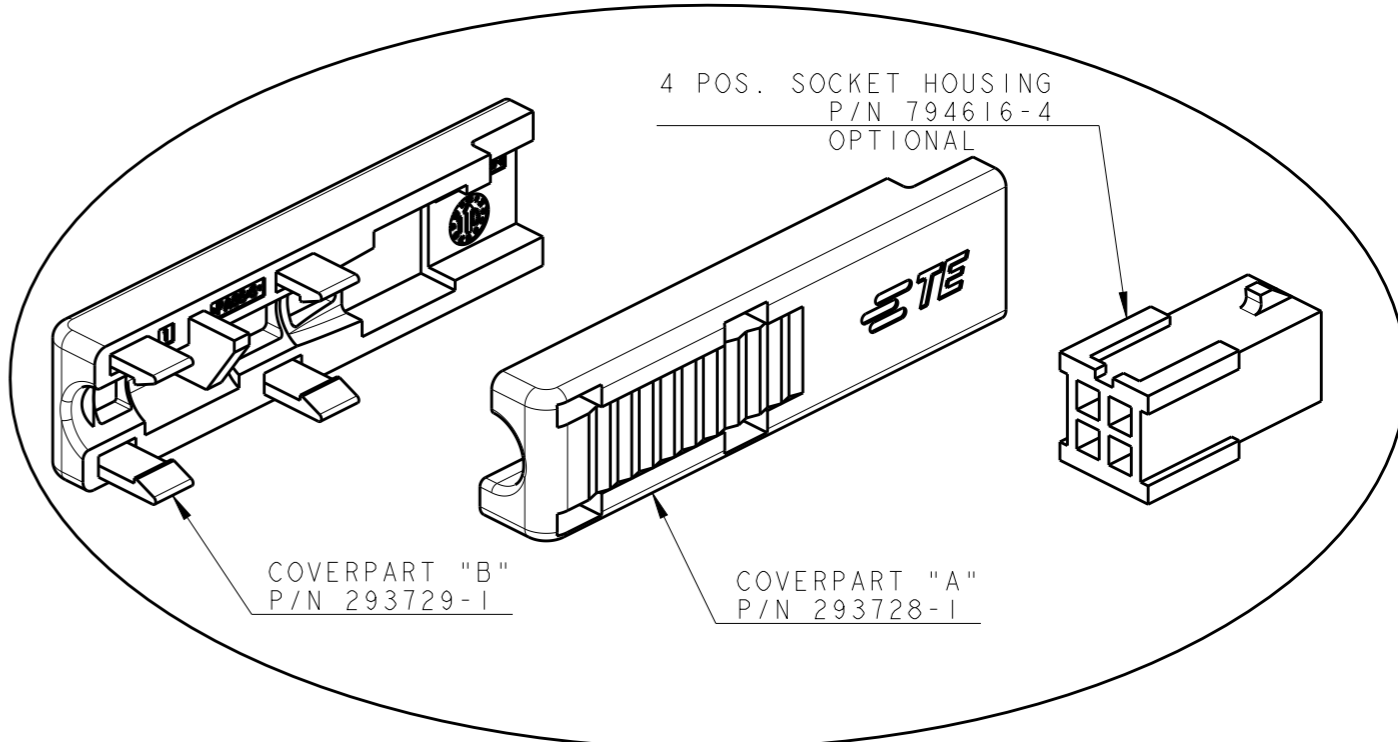
COVERPART "B"
P/N 293729-1
(PART NOT SALEABLE)



4 POS. SOCKET HOUSING
P/N 794616-4



LOC		DIST		REVISIONS			
P	LTR	DESCRIPTION		DATE	DWN	APVD	
	2	REVISED: GEOMETRY IMPROVEMENTS		02SEP2010	D.C.	G.T.	
	3	REVISED: LOGO UPDATE FOR COVERPART "A"		25AUG2011	D.C.	G.T.	
	A	RELEASED FOR PRODUCTION		20DEC2011	D.C.	G.T.	
	AI	REVISED PER ECR-14-006523		12MAY2014	RS	DD	



4 POS. COVERPART
P/N 293735

- 1 PACKAGING: CARTON BOX CONTAINING:
 - N*500 PIECES OF COVERPART "A" P/N 293728-1
 - N*500 PIECES OF COVERPART "B" P/N 293729-1
 - N*500 SOCKET HOUSINGS P/N 794616-4
- 2 ADMITTED CABLES MUST HAVE EXTERNAL DIAMETER OF 5,0±0,2mm AND MUST BE OF THE FOLLOWING TYPE:
 - LiYY 4x0,34mm² (MAX. N*4 CONTACTS P/N 794608-1 MUST BE CRIMPED ON THIS CABLE)
 - LiYY 4x22AWG UL AWM STYLE 2464 / 1061 (MAX. N*4 CONTACTS P/N 794608-1 MUST BE CRIMPED ON THIS CABLE)

3 NOT RELEASED FOR PRODUCTION

-	293729-1	293728-1	293735-2	3
794616-4	293729-1	293728-1	293735-1	
PLUG HSG	COVER PART "B"	COVER PART "A"	PART NUMBER	

THIS DRAWING IS A CONTROLLED DOCUMENT FOR TYCO ELECTRONICS CORPORATION. IT IS SUBJECT TO CHANGE AND THE CONTROLLING ENGINEERING ORGANIZATION SHOULD BE CONTACTED FOR THE LATEST REVISION.

DWN D. CHIARELLI 23JUN2010	Tyco Electronics AMP Italia S.r.l. C.so F.lli Cervi, 15 - Collegno (TO)
CHK D. CHIARELLI 23JUN2010	
APVD G. TURCO 23JUN2010	
PRODUCT SPEC 108-20314	
MATERIAL NYLON, UL94-V0 BLACK	NAME 4 POS. COVERPART FOR 4 POS. MICRO MATE-N-LOK SOCKET HOUSING P/N 794616-4
DIMENSIONS: mm	APPLICATION SPEC 114-20157
TOLERANCES UNLESS OTHERWISE SPECIFIED: 0 PLC ±0.5 1 PLC ±0.3 2 PLC ±0.2 3 PLC ± 4 PLC ± ANGLES ±°	WEIGHT -
FINISH -	Customer Drawing

SIZE A3	CAGE CODE 00779	DRAWING NO C-293735	RESTRICTED TO -
SCALE 2:1	SHEET 1	OF 1	REV AI