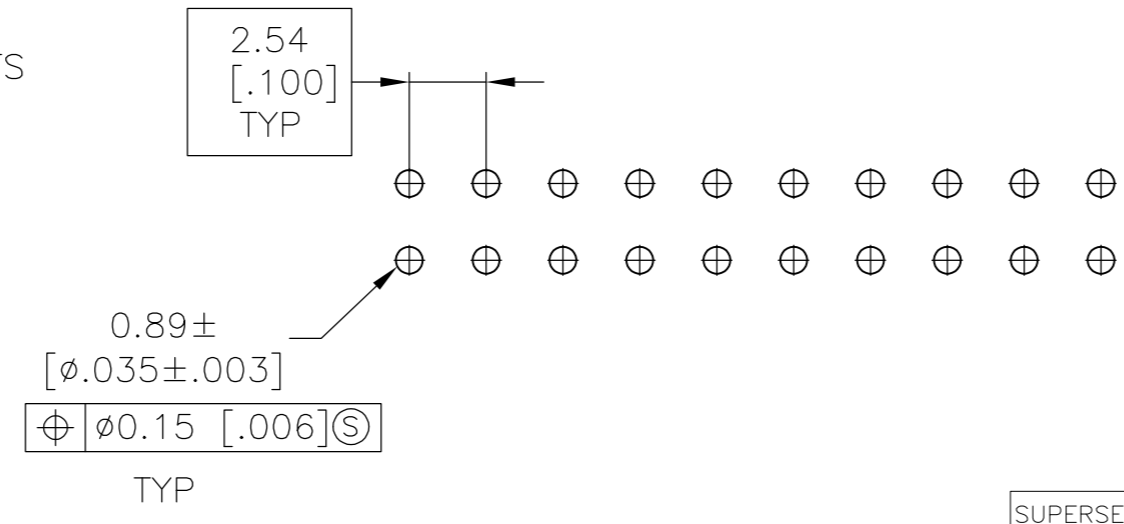
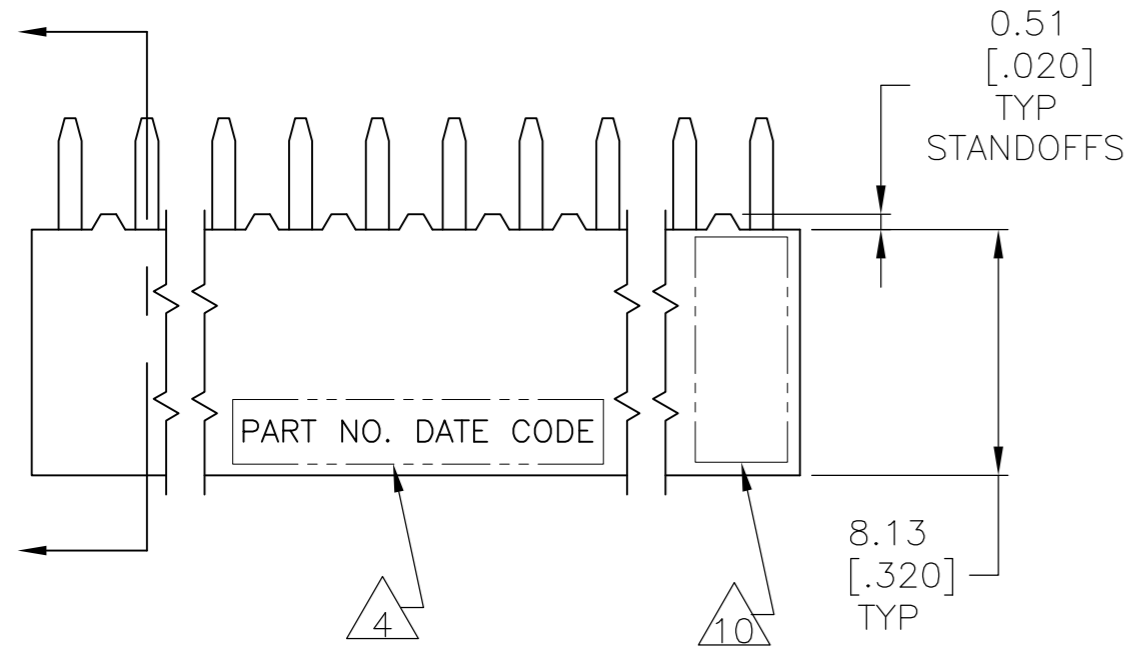
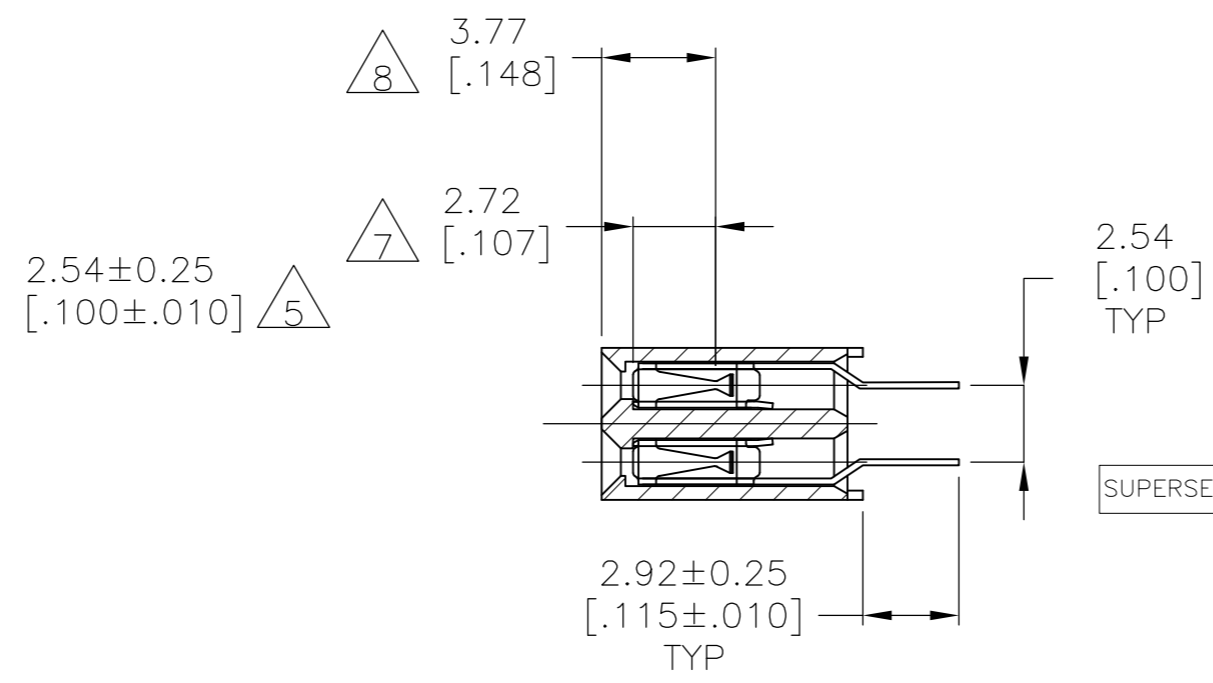
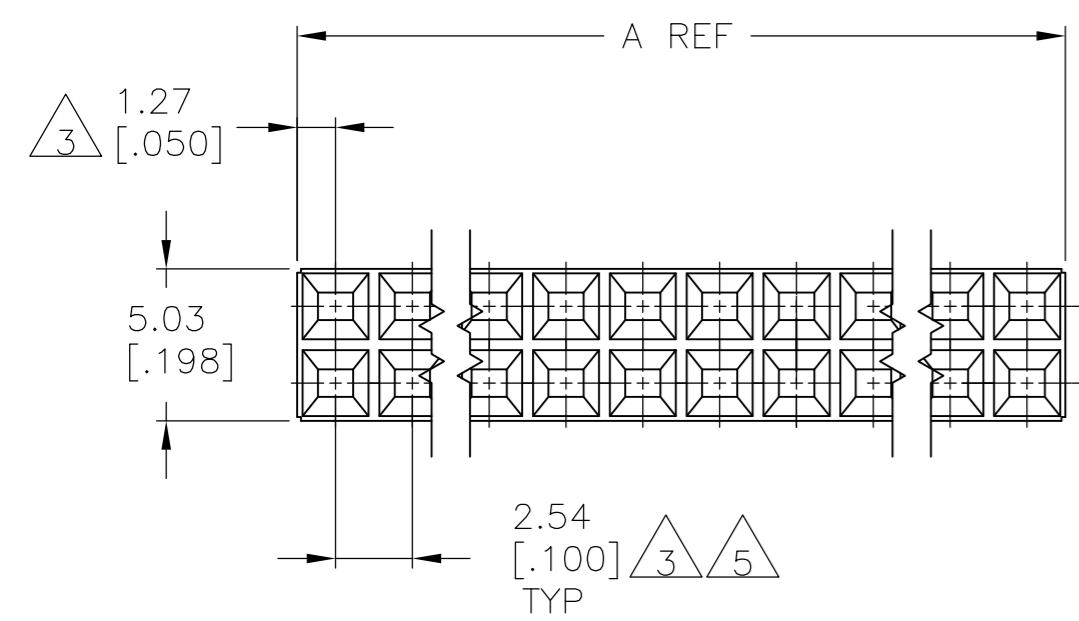


THIS DRAWING IS UNPUBLISHED. RELEASED FOR PUBLICATION  
 © COPYRIGHT - By - ALL RIGHTS RESERVED.

LOC		DIST		REVISIONS				
P	LTR	DESCRIPTION			DATE	DWN	APVD	
AD	00	R7	REVISED PER ECO-13-005565			01APR13	KH	JO



RECOMENDED PC BOARD HOLE PATTERN  
 PC BOARD THICKNESS 1.57[.062]



SUPERSEDED BY 8-534206-5

SUPERSEDED BY 7-534206-1

2	99.06 [3.900]	101.60 [4.000]	80	4-534206-0
2	96.52 [3.800]	99.06 [3.900]	78	3-534206-9
2	93.98 [3.700]	96.52 [3.800]	76	3-534206-8
2	91.44 [3.600]	93.98 [3.700]	74	3-534206-7
2	88.90 [3.500]	91.44 [3.600]	72	3-534206-6
2	86.36 [3.400]	88.90 [3.500]	70	3-534206-5
2	83.82 [3.300]	86.36 [3.400]	68	3-534206-4
2	81.28 [3.200]	83.82 [3.300]	66	3-534206-3
2	78.74 [3.100]	81.28 [3.200]	64	3-534206-2
2	76.20 [3.000]	78.74 [3.100]	62	3-534206-1
2	73.66 [2.900]	76.20 [3.000]	60	3-534206-0
2	71.12 [2.800]	73.66 [2.900]	58	2-534206-9
2	68.58 [2.700]	71.12 [2.800]	56	2-534206-8
2	66.04 [2.600]	68.58 [2.700]	54	2-534206-7
2	63.50 [2.500]	66.04 [2.600]	52	2-534206-6
2	60.96 [2.400]	63.50 [2.500]	50	2-534206-5
2	58.42 [2.300]	60.96 [2.400]	48	2-534206-4
2	55.88 [2.200]	58.42 [2.300]	46	2-534206-3
2	53.34 [2.100]	55.88 [2.200]	44	2-534206-2
2	50.80 [2.000]	53.34 [2.100]	42	2-534206-1
2	48.26 [1.900]	50.80 [2.000]	40	2-534206-0
2	45.72 [1.800]	48.26 [1.900]	38	1-534206-9
2	43.18 [1.700]	45.72 [1.800]	36	1-534206-8
2	40.64 [1.600]	43.18 [1.700]	34	1-534206-7
2	38.10 [1.500]	40.64 [1.600]	32	1-534206-6
2	35.56 [1.400]	38.10 [1.500]	30	1-534206-5
2	33.02 [1.300]	35.56 [1.400]	28	1-534206-4
2	30.48 [1.200]	33.02 [1.300]	26	1-534206-3
2	27.94 [1.100]	30.48 [1.200]	24	1-534206-2
2	25.40 [1.000]	27.94 [1.100]	22	1-534206-1
2	22.86 [.900]	25.40 [1.000]	20	1-534206-0
2	20.32 [.800]	22.86 [.900]	18	534206-9
2	17.78 [.700]	20.32 [.800]	16	534206-8
2	15.24 [.600]	17.78 [.700]	14	534206-7
2	12.70 [.500]	15.24 [.600]	12	534206-6
2	10.16 [.400]	12.70 [.500]	10	534206-5
2	7.62 [.300]	10.16 [.400]	8	534206-4
2	5.08 [.200]	7.62 [.300]	6	534206-3
2	2.54 [.100]	5.08 [.200]	4	534206-2
2	-	2.54 [.100]	2	534206-1

- 1 HOUSING: FLAME RETARDANT, GLASS FILLED, POLYESTER, COLOR: BLACK. CONTACT: PHOSPHOR BRONZE
- 2 CONTACT: DUPLEX PLATED 0.76µm[.000030] GOLD IN CONTACT AREA, 3.81-7.62µm[.000150-.000300] BRIGHT TIN-LEAD ON LEADS ALL OVER 1.27µm[.000050] MINIMUM NICKEL
- 3 THESE DIMENSIONS PERTAIN TO CAVIITY CENTERLINES ONLY - NOT TO CONTACT LOCATIONS
- 4 PART NUMBER AND DATE CODE ARE MARKED IN APPROXIMATE LOCATION SHOWN,EITHER SIDE.
- 5 TOLERANCE IS NON-CUMULATIVE.
- 6 2 POSITION DATE CODE IS MARKED OPPOSITE SIDE OF TE CONNECTIVITY LOGO.
- 7 POINT-OF-MEASUREMENT DIMENSION FOR PLATING THICKNESS (INSIDE CONTACT BEAM).
- 8 POINT-OF-CONTACT DIMENSION.
- 9 NO PART NUMBER MARKING REQUIRED FOR THIS PART.
- 10 TE LOGO AND CSA LOGO ARE MOLDED INTO HOUSING.
- 11 CONTACT: DUPLEX PLATED 0.76µm[.000030] MIN GOLD IN CONTACT AREA, 3.81-7.62µm[.000150-.000300] MATTE TIN ON LEADS ALL OVER 1.27µm[.000050] MIN NICKEL
- 12 ROHS 2002 /95/EC COMPLIANT.

FINISH	B	A	NO OF POSN	PART NUMBER

THIS DRAWING IS A CONTROLLED DOCUMENT.		DWN M.BINNER 06NOV2002	TE Connectivity	
DIMENSIONS: mm [INCHES]		CHK J.OLSON 06NOV02		
TOLERANCES UNLESS OTHERWISE SPECIFIED:		APVD J.OLSON 06NOV02	NAME	
0 PLC ± -		PRODUCT SPEC	RECEPTACLE ASSEMBLY, MOD II,	
1 PLC ± -		APPLICATION SPEC	DOUBLE ROW, DUAL ENTRY, .100X.100CL,	
2 PLC ± 0.13[.005]		108-25022	VERTICAL MOUNT, AMPMODU	
3 PLC ± -		114-25018	SIZE	CAGE CODE
4 PLC ± -		WEIGHT	A2	00779
ANGLES ± -		CUSTOMER DRAWING	DRAWING NO	
FINISH		SCALE	RESTRICTED TO	
1		4:1	-	
2 11		SHEET	1 OF 2	
		REV	R7	

THIS DRAWING IS UNPUBLISHED. RELEASED FOR PUBLICATION  
 © COPYRIGHT - By - ALL RIGHTS RESERVED.

LOC	DIST	REVISIONS			
P	LTR	DESCRIPTION	DATE	DWN	APVD
-	-	SEE SHEET 1	-	-	-

11	99.06 [3.900]	101.60 [4.000]	80	12	9-534206-0
11	96.52 [3.800]	99.06 [3.900]	78	12	8-534206-9
11	93.98 [3.700]	96.52 [3.800]	76	12	8-534206-8
11	91.44 [3.600]	93.98 [3.700]	74	12	8-534206-7
11	88.90 [3.500]	91.44 [3.600]	72	12	8-534206-6
11	86.36 [3.400]	88.90 [3.500]	70	12	8-534206-5
11	83.82 [3.300]	86.36 [3.400]	68	12	8-534206-4
11	81.28 [3.200]	83.82 [3.300]	66	12	8-534206-3
11	78.74 [3.100]	81.28 [3.200]	64	12	8-534206-2
11	76.20 [3.000]	78.74 [3.100]	62	12	8-534206-1
11	73.66 [2.900]	76.20 [3.000]	60	12	8-534206-0
11	71.12 [2.800]	73.66 [2.900]	58	12	7-534206-9
11	68.58 [2.700]	71.12 [2.800]	56	12	7-534206-8
11	66.04 [2.600]	68.58 [2.700]	54	12	7-534206-7
11	63.50 [2.500]	66.04 [2.600]	52	12	7-534206-6
11	60.96 [2.400]	63.50 [2.500]	50	12	7-534206-5
11	58.42 [2.300]	60.96 [2.400]	48	12	7-534206-4
11	55.88 [2.200]	58.42 [2.300]	46	12	7-534206-3
11	53.34 [2.100]	55.88 [2.200]	44	12	7-534206-2
11	50.80 [2.000]	53.34 [2.100]	42	12	7-534206-1
11	48.26 [1.900]	50.80 [2.000]	40	12	7-534206-0
11	45.72 [1.800]	48.26 [1.900]	38	12	6-534206-9
11	43.18 [1.700]	45.72 [1.800]	36	12	6-534206-8
11	40.64 [1.600]	43.18 [1.700]	34	12	6-534206-7
11	38.10 [1.500]	40.64 [1.600]	32	12	6-534206-6
11	35.56 [1.400]	38.10 [1.500]	30	12	6-534206-5
11	33.02 [1.300]	35.56 [1.400]	28	12	6-534206-4
11	30.48 [1.200]	33.02 [1.300]	26	12	6-534206-3
11	27.94 [1.100]	30.48 [1.200]	24	12	6-534206-2
11	25.40 [1.000]	27.94 [1.100]	22	12	6-534206-1
11	22.86 [.900]	25.40 [1.000]	20	12	6-534206-0
11	20.32 [.800]	22.86 [.900]	18	12	5-534206-9
11	17.78 [.700]	20.32 [.800]	16	12	5-534206-8
11	15.24 [.600]	17.78 [.700]	14	12	5-534206-7
11	12.70 [.500]	15.24 [.600]	12	12	5-534206-6
9	10.16 [.400]	12.70 [.500]	10	12	5-534206-5
9	7.62 [.300]	10.16 [.400]	8	12	5-534206-4
9	5.08 [.200]	7.62 [.300]	6	12	5-534206-3
9	2.54 [.100]	5.08 [.200]	4	12	5-534206-2
9	-	2.54 [.100]	2	6/12	5-534206-1

FINISH	B	A	NO OF POSN	PART NUMBER
--------	---	---	------------	-------------

THIS DRAWING IS A CONTROLLED DOCUMENT.		DWN M.BINNER 06NOV2002	<b>STE</b> TE Connectivity		
DIMENSIONS: mm [INCHES]		CHK J.OLSON 06NOV02			
TOLERANCES UNLESS OTHERWISE SPECIFIED:		APVD J.OLSON 06NOV02	NAME RECEPTACLE ASSEMBLY, MOD II, DOUBLE ROW, DUAL ENTRY, .100X.100CL, VERTICAL MOUNT, AMPMODU		
0 PLC ± - 1 PLC ± - 2 PLC ± 0.13 [.005] 3 PLC ± - 4 PLC ± - ANGLES ± -		PRODUCT SPEC 108-25022	SIZE A2	CAGE CODE 00779	DRAWING NO C=534206
MATERIAL 1		FINISH 2 11	WEIGHT -	RESTRICTED TO -	SCALE 4:1
CUSTOMER DRAWING			SHEET 2 OF 2	REV R7	