

THIS DRAWING IS UNPUBLISHED. RELEASED FOR PUBLICATION
 © COPYRIGHT - By - ALL RIGHTS RESERVED.

LOC		DIST		REVISIONS					
AD		00		P	LTR	DESCRIPTION	DATE	DWN	APVD
				G2		REVISED PER ECO-11-004587	11MAR11	RK	HMR

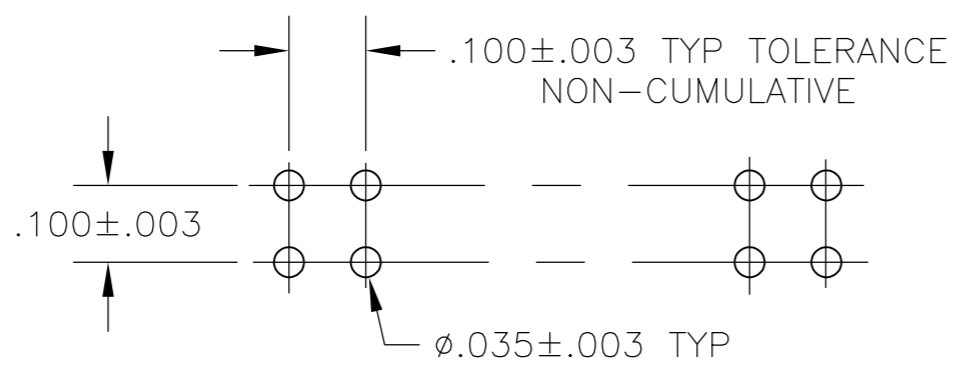
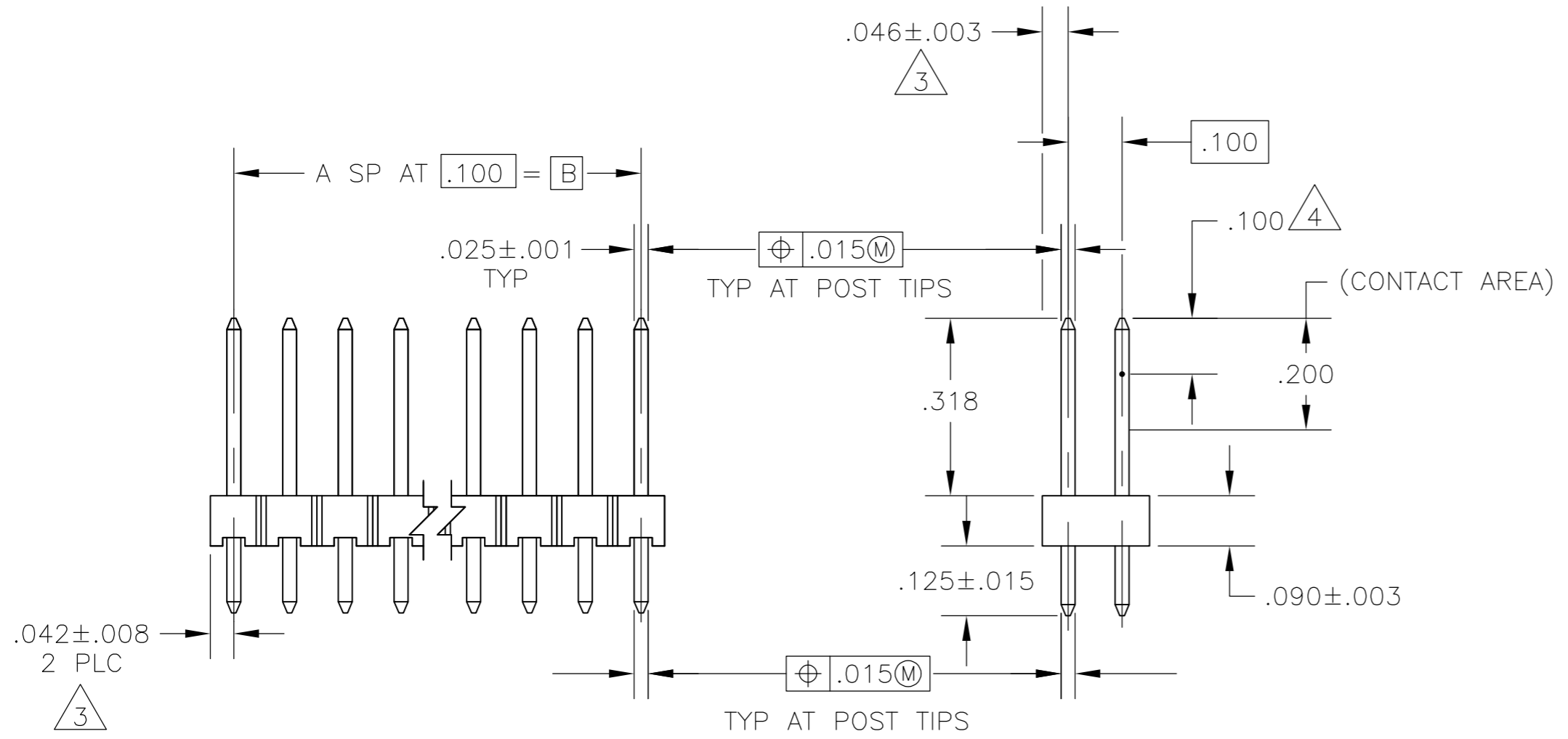
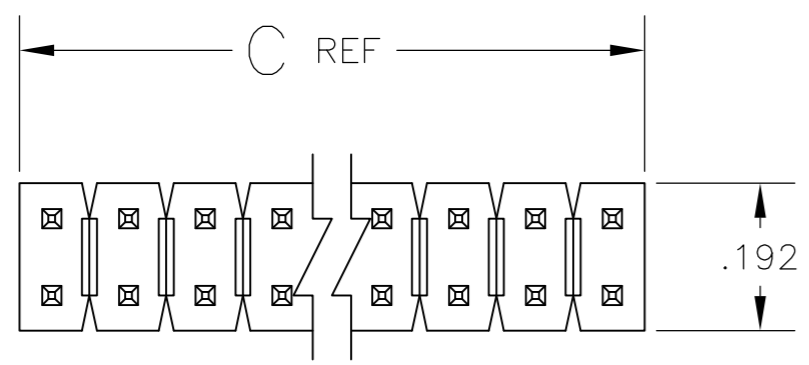
1. ASSEMBLY MAY BE BROKEN TO THE DESIRED NUMBER OF POSITIONS

2. TRUE POSITION TOLERANCE OF THE POST TIPS APPLIES WHEN THE HEADER IS HELD FLAT AGAINST THE PRINTED CIRCUIT BOARD

3 THE NOTED DIMENSIONS APPLY AT THE INTERSECTION OF THE POST AND HOUSING

4 POINT OF MEASUREMENT FOR PLATING THICKNESS

5 OBSOLETE PARTS: OBSOLETE CIS STREAMLINING PER D.RENAUD/D.SINISI



RECOMMENDED HOLE LAYOUT

	C	B	A	NO OF POSN	PART NUMBER
	3.984	3.900	39	80	4-102977-0
5 OBSOLETE	3.884	3.800	38	78	3-102977-9
	3.784	3.700	37	76	3-102977-8
	3.684	3.600	36	74	3-102977-7
	3.584	3.500	35	72	3-102977-6
5 OBSOLETE	3.484	3.400	34	70	3-102977-5
	3.384	3.300	33	68	3-102977-4
	3.284	3.200	32	66	3-102977-3
	3.184	3.100	31	64	3-102977-2
5 OBSOLETE	3.084	3.000	30	62	3-102977-1
	2.984	2.900	29	60	3-102977-0
	2.884	2.800	28	58	2-102977-9
	2.784	2.700	27	56	2-102977-8
	2.684	2.600	26	54	2-102977-7
	2.584	2.500	25	52	2-102977-6
	2.484	2.400	24	50	2-102977-5
5 OBSOLETE	2.384	2.300	23	48	2-102977-4
	2.284	2.200	22	46	2-102977-3
5 OBSOLETE	2.184	2.100	21	44	2-102977-2
	2.084	2.000	20	42	2-102977-1
	1.984	1.900	19	40	2-102977-0
5 OBSOLETE	1.884	1.800	18	38	1-102977-9
	1.784	1.700	17	36	1-102977-8
5 OBSOLETE	1.684	1.600	16	34	1-102977-7
	1.584	1.500	15	32	1-102977-6
	1.484	1.400	14	30	1-102977-5
	1.384	1.300	13	28	1-102977-4
	1.284	1.200	12	26	1-102977-3
	1.184	1.100	11	24	1-102977-2
	1.084	1.000	10	22	1-102977-1
5 OBSOLETE	.984	.900	9	20	1-102977-0
	.884	.800	8	18	102977-9
	.784	.700	7	16	102977-8
	.684	.600	6	14	102977-7
	.584	.500	5	12	102977-6
	.484	.400	4	10	102977-5
	.384	.300	3	8	102977-4
	.284	.200	2	6	102977-3
	.184	.100	1	4	102977-2
	.084	—	—	2	102977-1

THIS DRAWING IS A CONTROLLED DOCUMENT.		DWN H MOLL 200CT87	150CT87	
DIMENSIONS: INCHES		CHK T. CLARK 200CT87	TE Connectivity	
TOLERANCES UNLESS OTHERWISE SPECIFIED:		APVD T. CLARK 200CT87	NAME	
0 PLC ± -		PRODUCT SPEC	HEADER ASSY, MOD II, BREAKAWAY, DOUBLE ROW, .100X.100 CL, VERTICAL, WITH .025 SQ POSTS	
1 PLC ± -		APPLICATION SPEC	SIZE CAGE CODE DRAWING NO RESTRICTED TO	
2 PLC ± -			A2 00779 C=102977	
3 PLC ± .005			SCALE 4:1 SHEET 1 of 1 REV G2	
4 PLC ± -				
ANGLES ± -				
MATERIAL: HOUSING: FLAME RETARDANT THERMOPLASTIC; COLOR-BLACK		FINISH: POST: .00030 GOLD ON CONTACT AREA, .00100-.00200 MATTE, TIN-LEAD ON SOLDER TAIL, ALL OVER .00050NICKEL		
POST: PHOSPHOR BRONZE		CUSTOMER DRAWING		