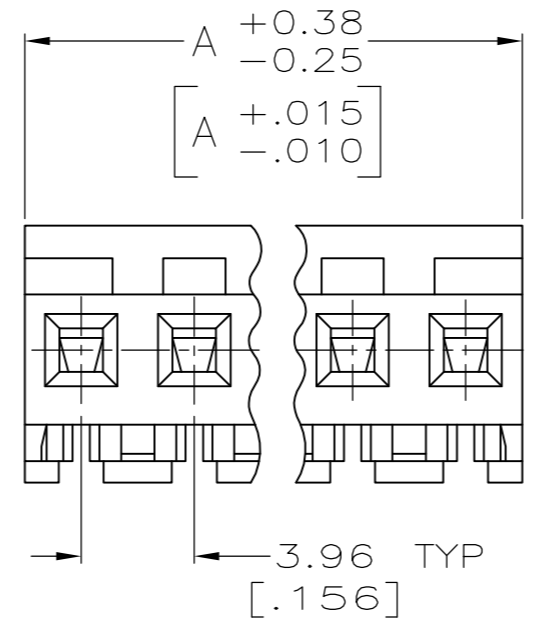
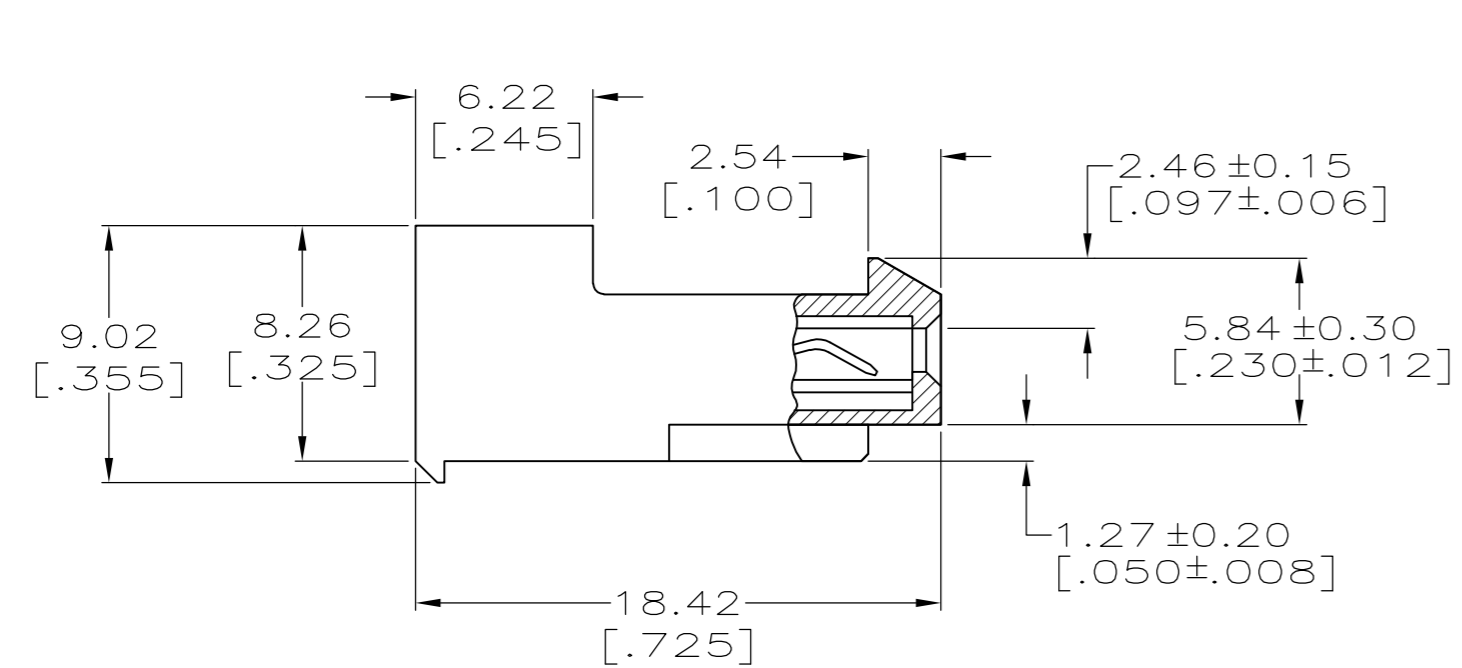
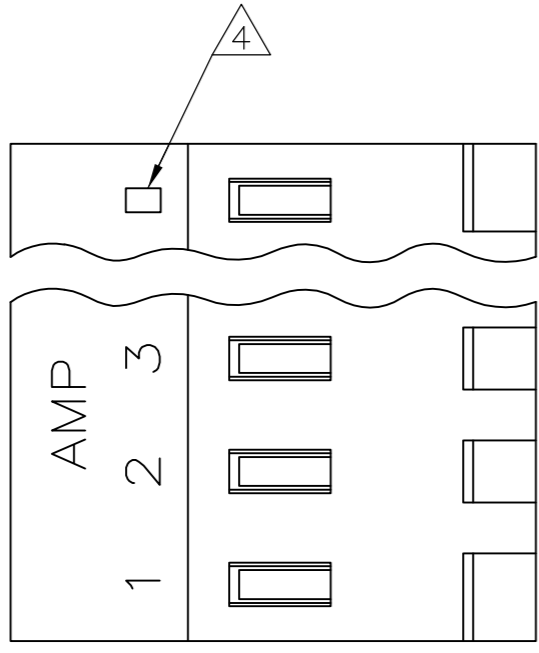


THIS DRAWING IS UNPUBLISHED. RELEASED FOR PUBLICATION
 © COPYRIGHT - By - ALL RIGHTS RESERVED.

| LOC | DIST | REVISIONS | | | |
|-----|------|-------------|---------------------------|---------|-------|
| P | LTR | DESCRIPTION | DATE | DWN | APVD |
| CM | 00 | U | REVISED PER ECO-12-007610 | 25JUL12 | KH SM |



- 1 MATERIAL: CONNECTOR - NYLON UL94V-2 .
CONTACTS - 0.00076[.000030] GOLD THK OR 0.00008[.000003] MIN THK GOLD FLASH OVER 0.00068[.000027] THK PALLADIUM NICKEL, PER TE CONNECTIVITY'S DISCRETION, IN CONTACT AREA WITH BRIGHT TIN-LEAD FOR -2 THRU -28, MATTE WHISKER MITIGATED TIN FOR 3-641217-2 THRU 5-641217-4 OVER NICKEL UNDERPLATE.
- 2 CONTACTS ACCEPT 18 AWG WIRE WITH 2.41[.095] MAX INSULATION DIAMETER.
- 3 CONTACTS MUST ACCEPT 1.14±0.03[.045±.001] SQUARE POST AND REMAIN LOCKED IN POSITION.
- 4 IDENTIFICATION NUMBER FOR LAST CIRCUIT MAY NOT APPEAR ON ALL ASSEMBLIES.
- 5 DIMENSIONS IN BRACKETS ARE IN INCHES.
- 6 HOUSING FEATURES ARE: CLOSED END WITH LOCKING RAMP.
- 7 OBSOLETE PARTS: OBSOLETE CIS STREAMLINING PER D.RENAUD/D.SINISI
- 8 ORANGE COLOR STRIPE ON HOUSING (NOT SHOWN) MAY RUN DOWN BETWEEN RIBS

| YES | 95.10[3.744] | 24 | 5-641217-4 |
|----------|--------------|-----------------|------------|
| YES | 91.13[3.588] | 23 | 5-641217-3 |
| YES | 87.17[3.432] | 22 | 5-641217-2 |
| YES | 83.21[3.276] | 21 | 5-641217-1 |
| YES | 79.25[3.120] | 20 | 5-641217-0 |
| YES | 75.29[2.964] | 19 | 4-641217-9 |
| YES | 71.32[2.808] | 18 | 4-641217-8 |
| YES | 67.36[2.652] | 17 | 4-641217-7 |
| YES | 63.40[2.496] | 16 | 4-641217-6 |
| YES | 59.44[2.340] | 15 | 4-641217-5 |
| YES | 55.47[2.184] | 14 | 4-641217-4 |
| YES | 51.51[2.028] | 13 | 4-641217-3 |
| YES | 47.55[1.872] | 12 | 4-641217-2 |
| YES | 43.59[1.716] | 11 | 4-641217-1 |
| YES | 39.62[1.560] | 10 | 4-641217-0 |
| YES | 35.66[1.404] | 9 | 3-641217-9 |
| YES | 31.70[1.248] | 8 | 3-641217-8 |
| YES | 27.74[1.092] | 7 | 3-641217-7 |
| YES | 23.77[.936] | 6 | 3-641217-6 |
| YES | 19.81[.780] | 5 | 3-641217-5 |
| YES | 15.85[.624] | 4 | 3-641217-4 |
| YES | 11.89[.468] | 3 | 3-641217-3 |
| YES | 7.92[.312] | 2 | 3-641217-2 |
| NO | 95.10[3.744] | 24 | 2-641217-4 |
| NO | 91.13[3.588] | 23 | 2-641217-3 |
| NO | 87.17[3.432] | 22 | 2-641217-2 |
| NO | 83.21[3.276] | 21 | 2-641217-1 |
| NO | 79.25[3.120] | 20 | 2-641217-0 |
| NO | 75.29[2.964] | 19 | 1-641217-9 |
| NO | 71.32[2.808] | 18 | 1-641217-8 |
| NO | 67.36[2.652] | 17 | 1-641217-7 |
| NO | 63.40[2.496] | 16 | 1-641217-6 |
| NO | 59.44[2.340] | 15 | 1-641217-5 |
| NO | 55.47[2.184] | 14 | 1-641217-4 |
| NO | 51.51[2.028] | 13 | 1-641217-3 |
| NO | 47.55[1.872] | 12 | 1-641217-2 |
| NO | 43.59[1.716] | 11 | 1-641217-1 |
| NO | 39.62[1.560] | 10 | 1-641217-0 |
| NO | 35.66[1.404] | 9 | 641217-9 |
| NO | 31.70[1.248] | 8 | 641217-8 |
| NO | 27.74[1.092] | 7 | 641217-7 |
| NO | 23.77[.936] | 6 | 641217-6 |
| NO | 19.81[.780] | 5 | 641217-5 |
| NO | 15.85[.624] | 4 | 641217-4 |
| NO | 11.89[.468] | 3 | 641217-3 |
| NO | 7.92[.312] | 2 | 641217-2 |
| LEADFREE | DIM A | NO. OF CIRCUITS | PART NO. |

| | | | | | |
|---|--------------------------|----|--------------|----|------------|
| 7 | SUPERCEDED BY 5-641217-4 | NO | 95.10[3.744] | 24 | 2-641217-4 |
| 7 | SUPERCEDED BY 5-641217-3 | NO | 91.13[3.588] | 23 | 2-641217-3 |
| 7 | SUPERCEDED BY 5-641217-2 | NO | 87.17[3.432] | 22 | 2-641217-2 |
| 7 | SUPERCEDED BY 5-641217-1 | NO | 83.21[3.276] | 21 | 2-641217-1 |
| 7 | SUPERCEDED BY 5-641217-0 | NO | 79.25[3.120] | 20 | 2-641217-0 |
| 7 | SUPERCEDED BY 4-641217-9 | NO | 75.29[2.964] | 19 | 1-641217-9 |
| 7 | SUPERCEDED BY 4-641217-8 | NO | 71.32[2.808] | 18 | 1-641217-8 |
| 7 | SUPERCEDED BY 4-641217-7 | NO | 67.36[2.652] | 17 | 1-641217-7 |
| 7 | SUPERCEDED BY 4-641217-6 | NO | 63.40[2.496] | 16 | 1-641217-6 |
| 7 | SUPERCEDED BY 4-641217-5 | NO | 59.44[2.340] | 15 | 1-641217-5 |

THIS DRAWING IS A CONTROLLED DOCUMENT. DWN K. WHITAKER 15MAR2004
 CHK D. BOSSI 15-MAR-04
 APVD D. BOSSI 15-MAR-04

TE TE Connectivity

NAME: MTA-156 CONNECTOR ASSEMBLY, 18 AWG STANDARD

PRODUCT SPEC: 108-1051
 APPLICATION SPEC: 114-1020

SIZE: A2 CAGE CODE: 00779 DRAWING NO: 641217 RESTRICTED TO: -

SCALE: 1:1 SHEET: 1 OF 1 REV: U

MATERIAL: 1 FINISH: 1

CUSTOMER DRAWING

