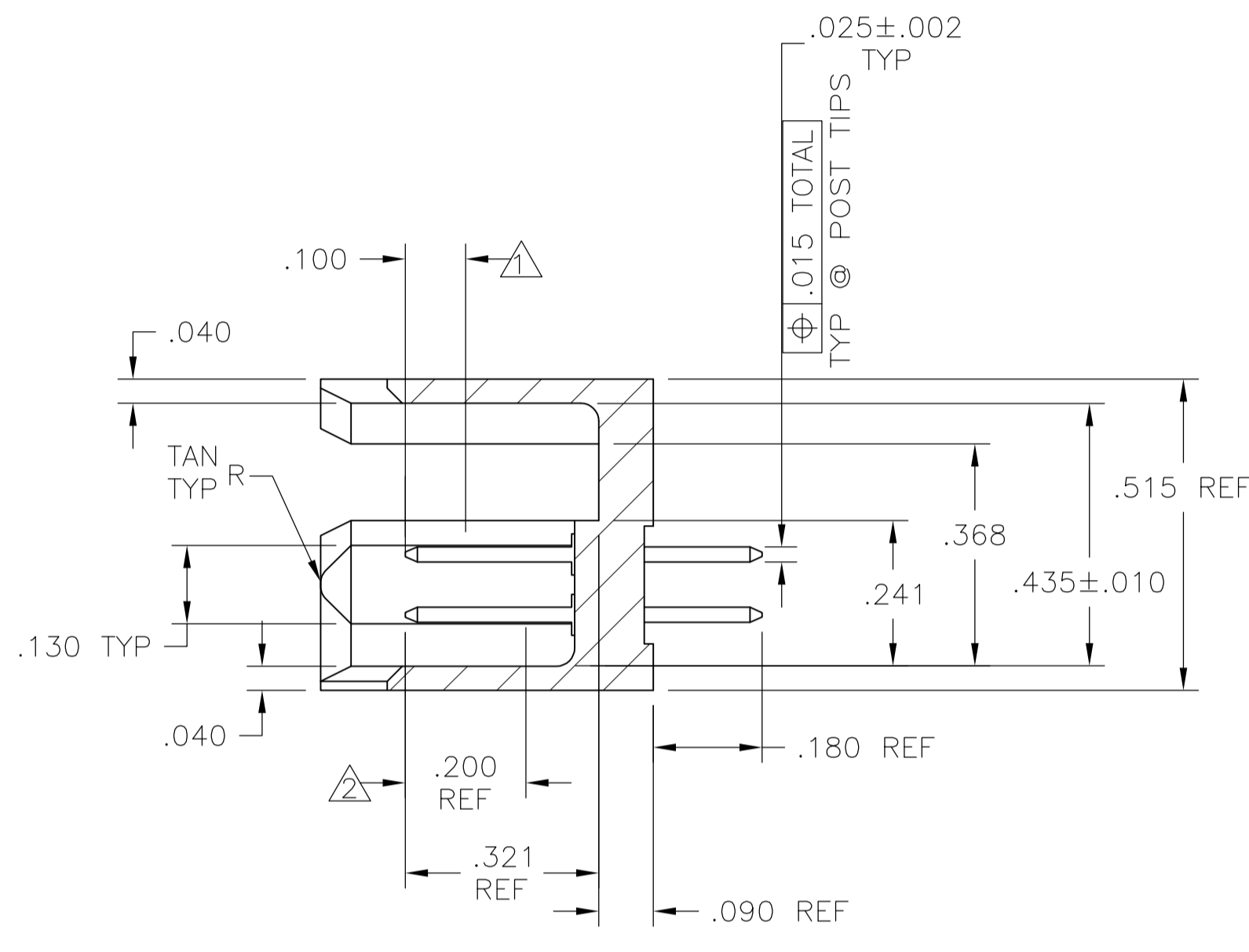
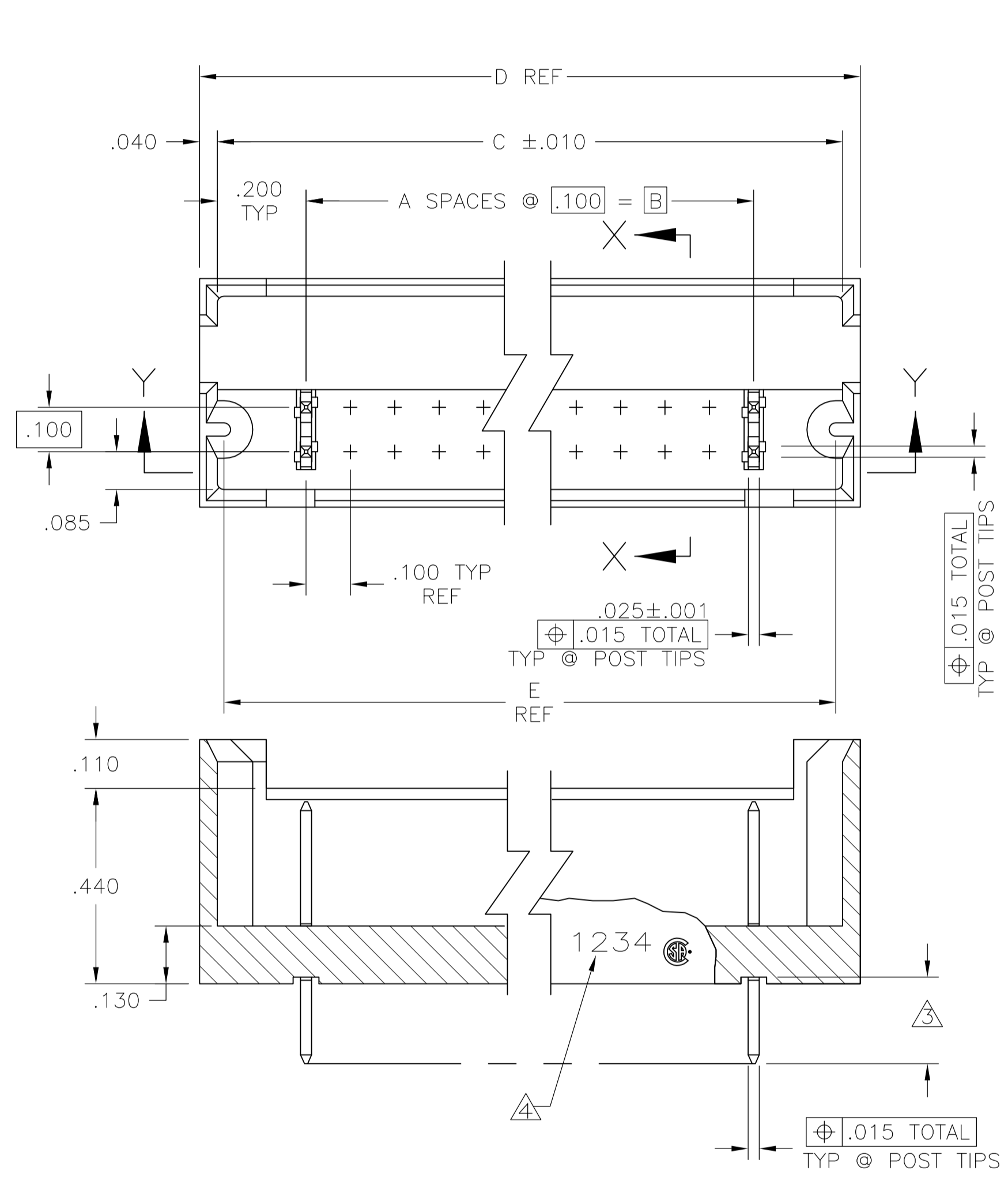
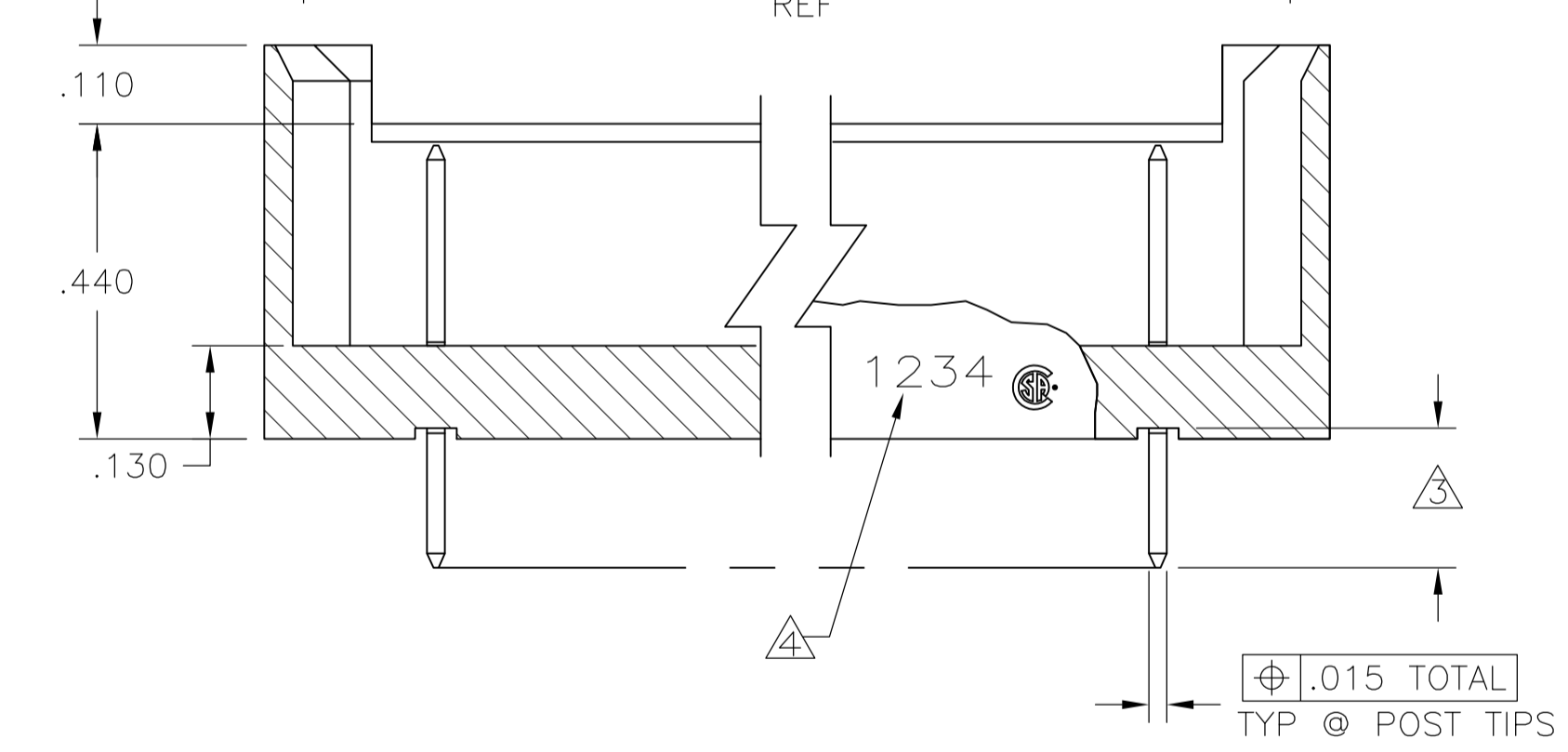


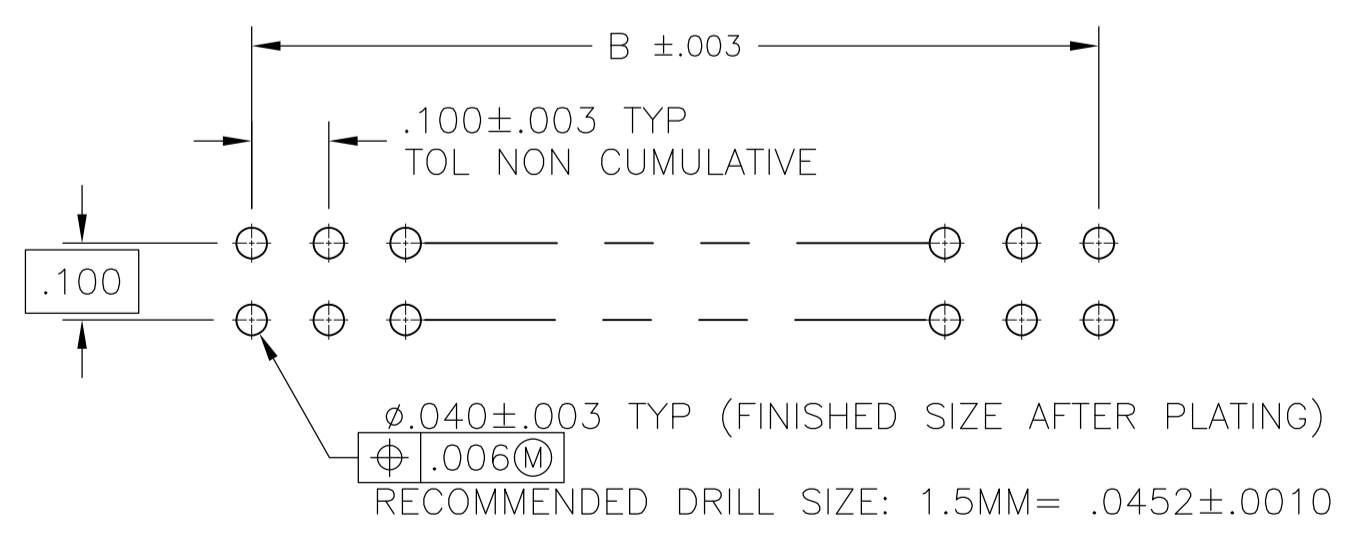
LOC		DIST		REVISIONS			
P	LTR	REVISED PER	ECO--11-004587	DATE	DN	APVD	
L4				11MAR11	RK	HMR	



SECTION X-X



SECTION Y-Y



RECOMMENDED HOLE SIZE

- 1 POINT OF MEASUREMENT FOR PLATING THICKNESS.
- 2 FINISH OVER INDICATED AREA: .000030 GOLD OVER .000050 NICKEL.
- 3 FINISH OVER INDICATED AREA: .000100-.000200 BRIGHT TIN LEAD OVER .000050 NICKEL.
- 4 RECESSED DATE CODE AND LOGO.
- 5 OBSOLETE PART NUMBER.
- 6 PRELIMINARY PART - NOT RELEASED FOR PRODUCTION
- 7 FINISH OVER INDICATED AREA: .000100-.000200 MATTE TIN OVER .000050 NICKEL.
- 8 ROHS 2002/95/EC COMPLIANT
- 9 OBSOLETE PARTS: OBSOLETE CIS STREAMLINING PER D.RENAUD/D.SINISI

NO. OF POSN	A	B	C ± 0.10	D	E	NO. OF POSN	PART NUMBER
12	26	7	12	26	7	12	7-102692-9
12	160	79	160	79	160	12	7-102692-8
21	44	21	44	21	44	21	7-102692-7
6	14	6	14	6	14	6	7-102692-6
63	128	63	128	63	128	63	7-102692-5
69	140	69	140	69	140	69	7-102692-4
73	148	73	148	73	148	73	7-102692-3
63	128	63	128	63	128	63	7-102692-2
69	140	69	140	69	140	69	7-102692-1
64	130	64	130	64	130	64	7-102692-0
42	86	42	86	42	86	42	6-102692-9
35	72	35	72	35	72	35	6-102692-8
14	30	14	30	14	30	14	6-102692-7
9	20	9	20	9	20	9	6-102692-6
7	16	7	16	7	16	7	6-102692-5
34	70	34	70	34	70	34	6-102692-4
19	40	19	40	19	40	19	6-102692-3
44	90	44	90	44	90	44	6-102692-2
99	200	99	200	99	200	99	6-102692-1
54	110	54	110	54	110	54	6-102692-0
59	120	59	120	59	120	59	5-102692-9
49	100	49	100	49	100	49	5-102692-8
47	96	47	96	47	96	47	5-102692-7
39	80	39	80	39	80	39	5-102692-6
29	60	29	60	29	60	29	5-102692-5
24	50	24	50	24	50	24	5-102692-4
17	36	17	36	17	36	17	5-102692-3
11	24	11	24	11	24	11	5-102692-2
5	12	5	12	5	12	5	5-102692-1
5	12	5	12	5	12	5	2-102692-9
79	160	79	160	79	160	79	2-102692-8
46	94	46	94	46	94	46	2-102692-7
21	44	21	44	21	44	21	2-102692-6
6	14	6	14	6	14	6	2-102692-5
89	180	89	180	89	180	89	2-102692-4
128	264	128	264	128	264	128	2-102692-3
140	280	140	280	140	280	140	2-102692-2
130	260	130	260	130	260	130	2-102692-1
64	130	64	130	64	130	64	2-102692-0
86	172	86	172	86	172	86	1-102692-9
72	144	72	144	72	144	72	1-102692-8
30	60	30	60	30	60	30	1-102692-7
20	40	20	40	20	40	20	1-102692-6
16	32	16	32	16	32	16	1-102692-5
70	140	70	140	70	140	70	1-102692-4
40	80	40	80	40	80	40	1-102692-3
90	180	90	180	90	180	90	1-102692-2
99	200	99	200	99	200	99	1-102692-1
54	110	54	110	54	110	54	1-102692-0
59	120	59	120	59	120	59	102692-9
49	100	49	100	49	100	49	102692-8
47	96	47	96	47	96	47	102692-7
39	80	39	80	39	80	39	102692-6
29	60	29	60	29	60	29	102692-5
24	50	24	50	24	50	24	102692-4
17	36	17	36	17	36	17	102692-3
11	24	11	24	11	24	11	102692-2
5	12	5	12	5	12	5	102692-1

THIS DRAWING IS A CONTROLLED DOCUMENT.

DTN: B. HAYMAKER 11JAN01
 CHK: J. GESFORD 12NOV98
 APVD: J. GESFORD 12NOV98

TE Connectivity

NAME: HEADER ASSEMBLY, MOD II, .100C.100CL, .025 SQ POSTS

PRODUCT SPEC: --
 APPLICATION SPEC: --
 SIZE: A1
 CAGE CODE: 00779
 DRAWING NO: 102692

RESTRICTED TO: --
 WEIGHT: --
 CUSTOMER DRAWING: --
 SCALE: 4:1
 SHEET: 1 of 1
 REV: L4