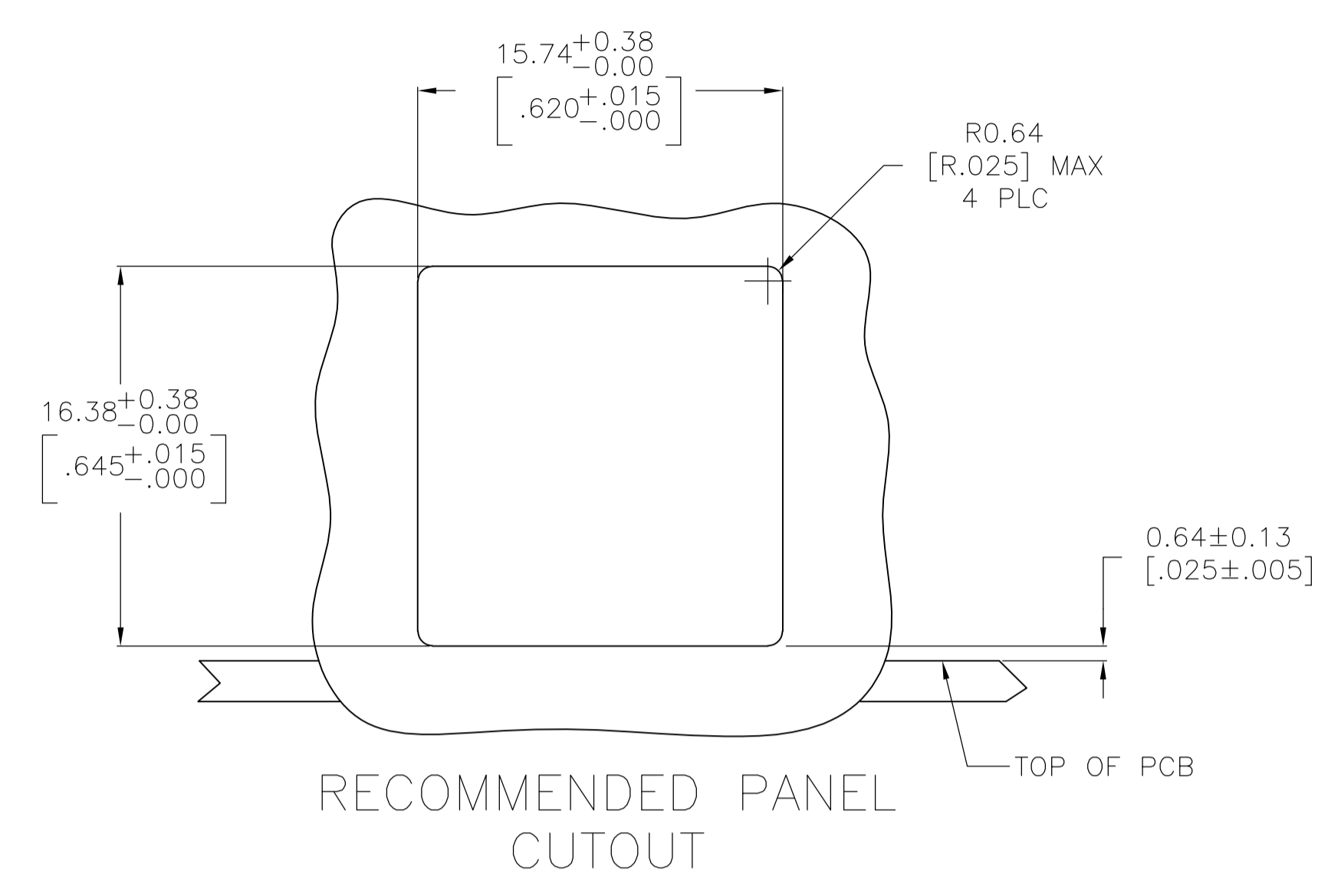
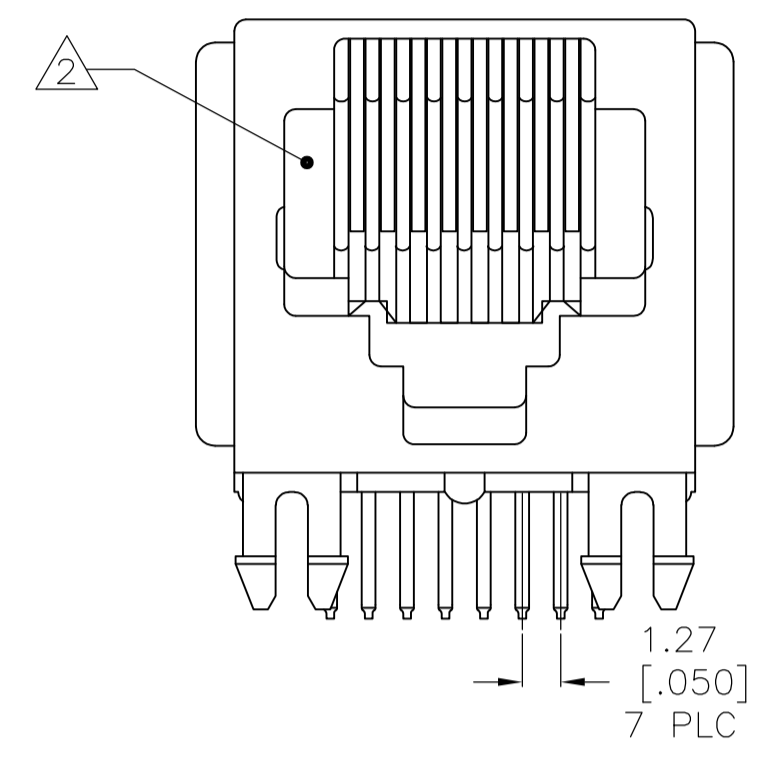
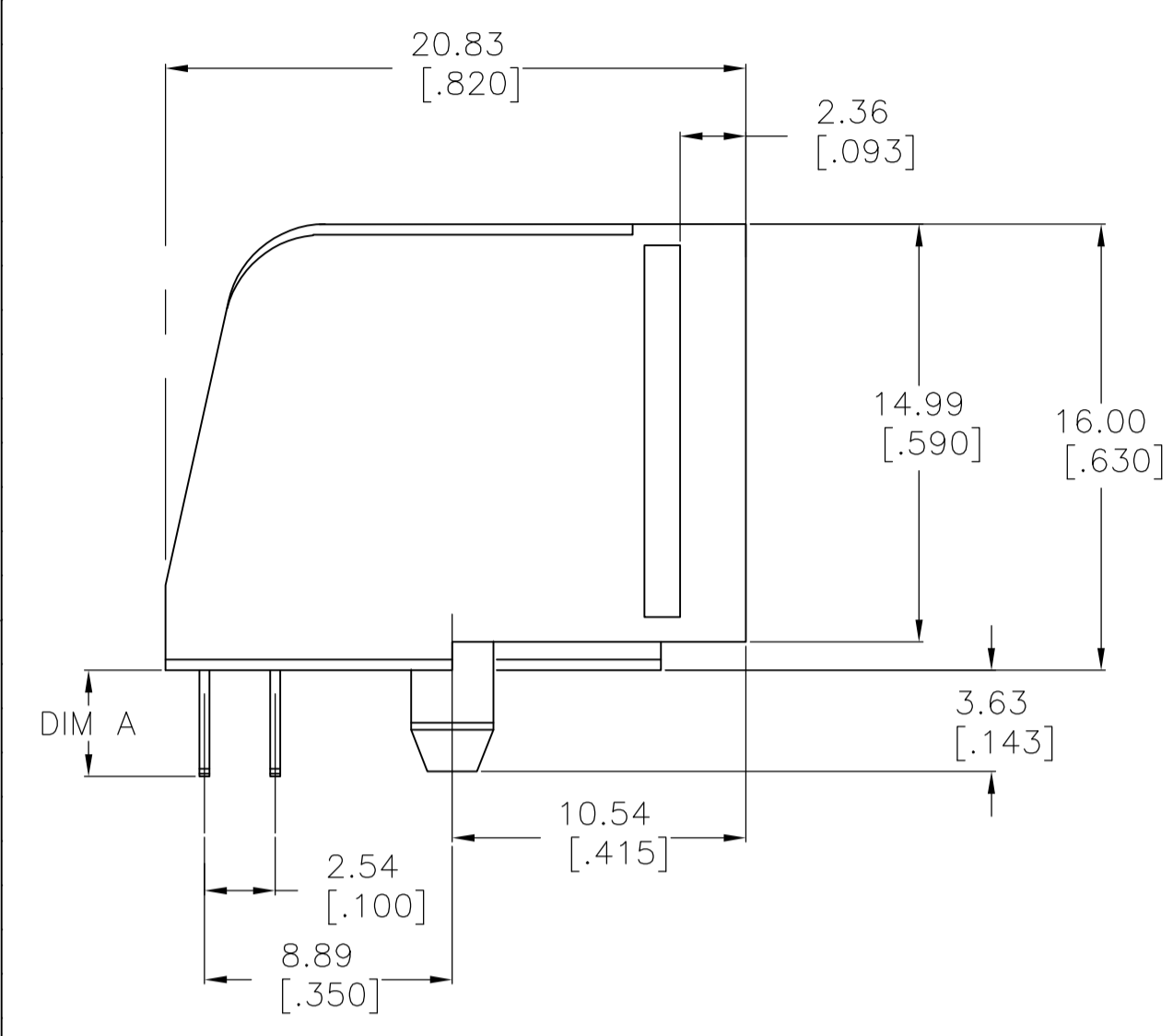
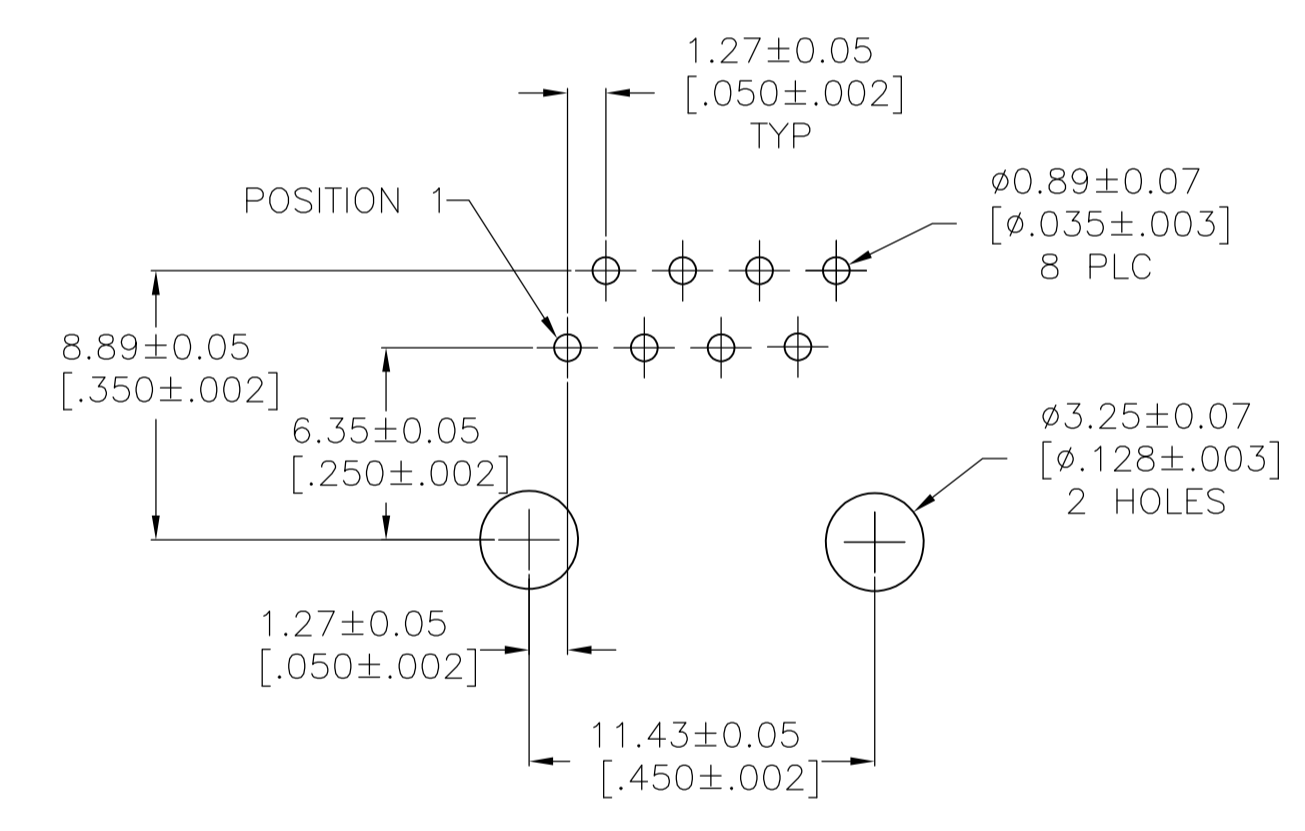
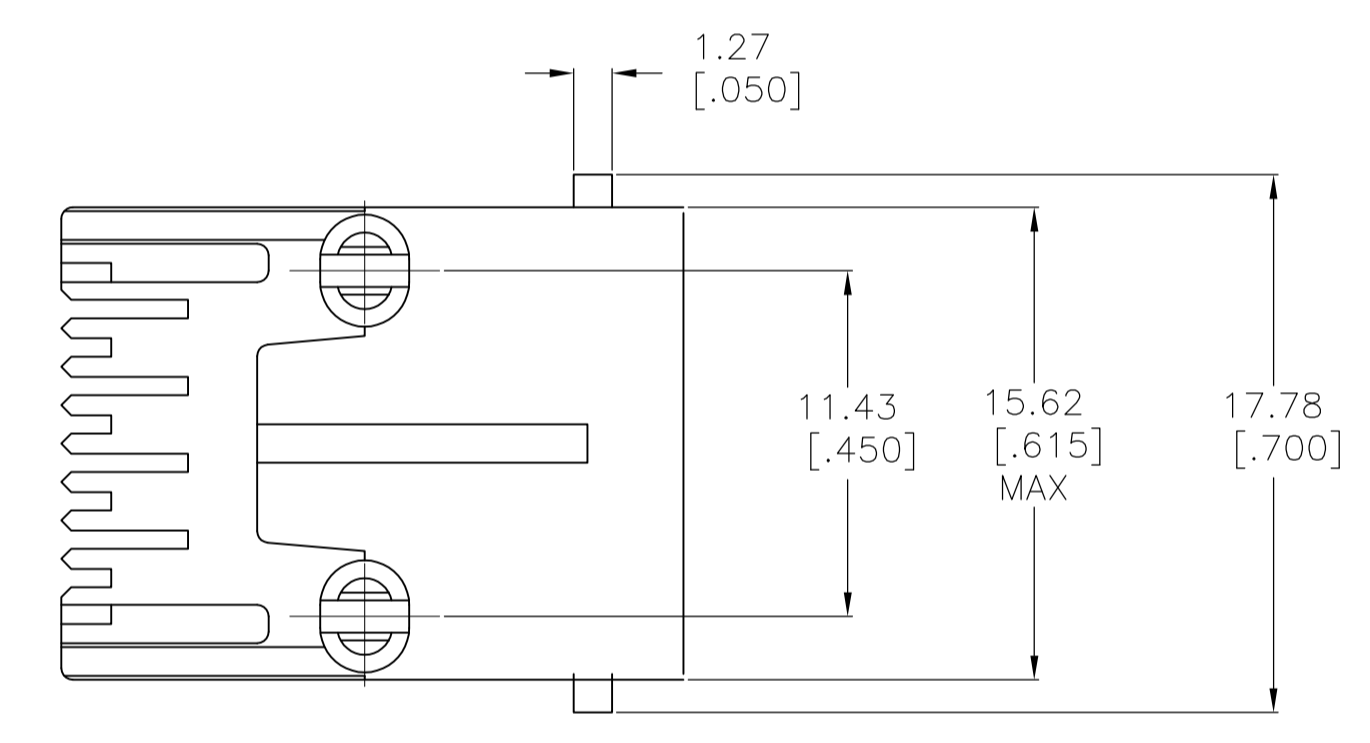


| LOC | | DIST | | REVISIONS | | | |
|-----|-----|---------------------------|---------|-----------|------|--|--|
| P | LTR | DESCRIPTION | DATE | DN | APVD | | |
| D1 | | REVISED PER ECO-11-005140 | 28MAR11 | RK | HMR | | |



- MATERIAL: HOUSING - PBT POLYESTER, BLACK.
TERMINAL - PHOS-BRONZE PLATED WITH .000050 [1.27 μm] THICK HARD GOLD IN LOCALIZED GOLD PLATE AREA AND .000080 [2.03 μm] MIN THICK MATTE TIN IN SOLDER AREA OVER .000050 [1.27 μm] MIN THICK NICKEL UNDERPLATE.
- CAVITY CONFORMS TO FCC RULES AND REGULATIONS PART 68 AND REA BULLETIN 345-81, PE-76 SPECIFICATION FOR MODULAR TELEPHONE HARDWARE.
- BULK PACKAGED IN A TRAY.



RECOMMENDED PRINTED CIRCUIT BOARD LAYOUT COMPONENT SIDE SHOWN

| | | | | |
|-------------------------|--------------------|----------|-----------|-------------|
| SUPERSEDED BY 5520251-4 | .10-.12[.254-3.05] | 3 | 8 | 5520251-9 |
| | .13-.17[3.30-4.32] | 3 | 8 | 5520251-4 |
| | DIM A | PACKAGED | TERMINALS | PART NUMBER |

| | | | | | |
|--|--|---|--|-------------------------------|--|
| THIS DRAWING IS A CONTROLLED DOCUMENT. | | DIN G. GARRETT/L.A. MAYER 08JUNE2005 C/K J.WESTMAN 4-23-95 | | STE TE Connectivity | |
| DIMENSIONS: mm [INCHES] | | TOLERANCES UNLESS OTHERWISE SPECIFIED: | | NAME: J. WICKINGER 08JUNE2005 | |
| 0 PLC ± - | | 1 PLC ± - | | PRODUCT SPEC: 108-1163 | |
| 2 PLC ± - | | 3 PLC ± .005(.013) | | APPLICATION SPEC: 114-2048 | |
| 4 PLC ± - | | ANGLES ± - | | SIZE: A1 | |
| MATERIAL: SEE NOTE 1 | | FINISH: SEE NOTE 1 | | WEIGHT: - | |
| | | | | SCALE: 4:1 | |
| | | | | SHEET 1 OF 1 | |
| | | | | REV D1 | |