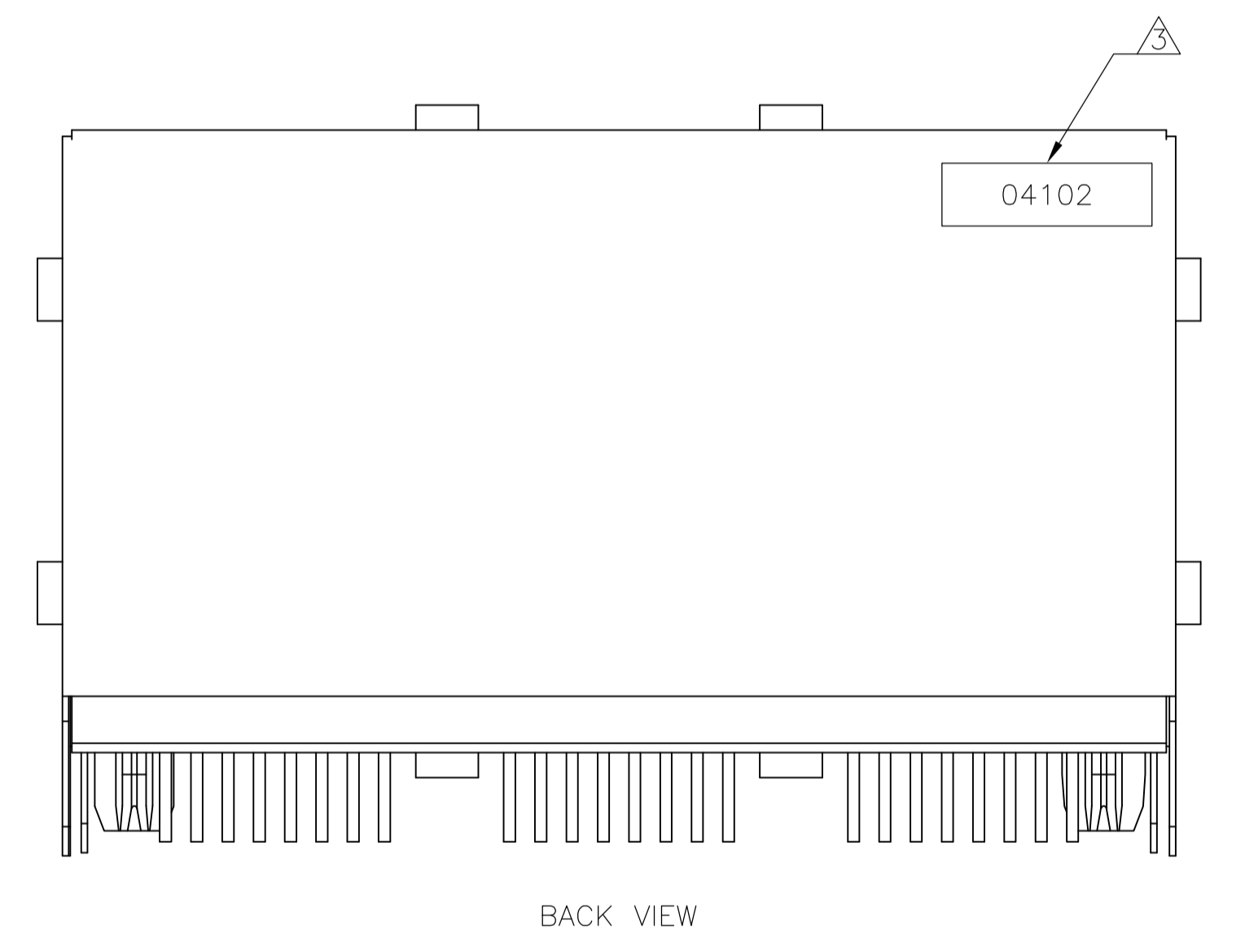
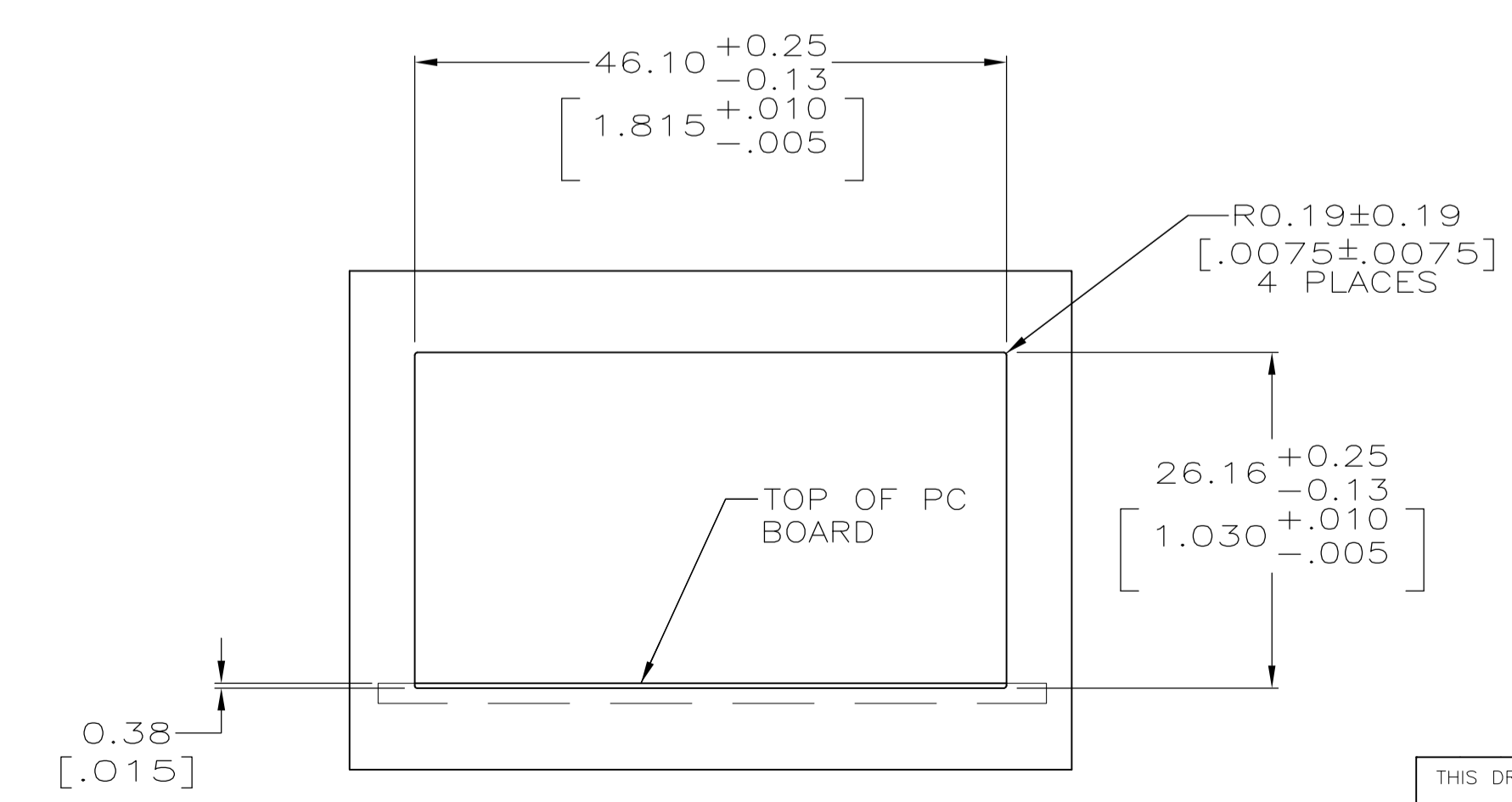
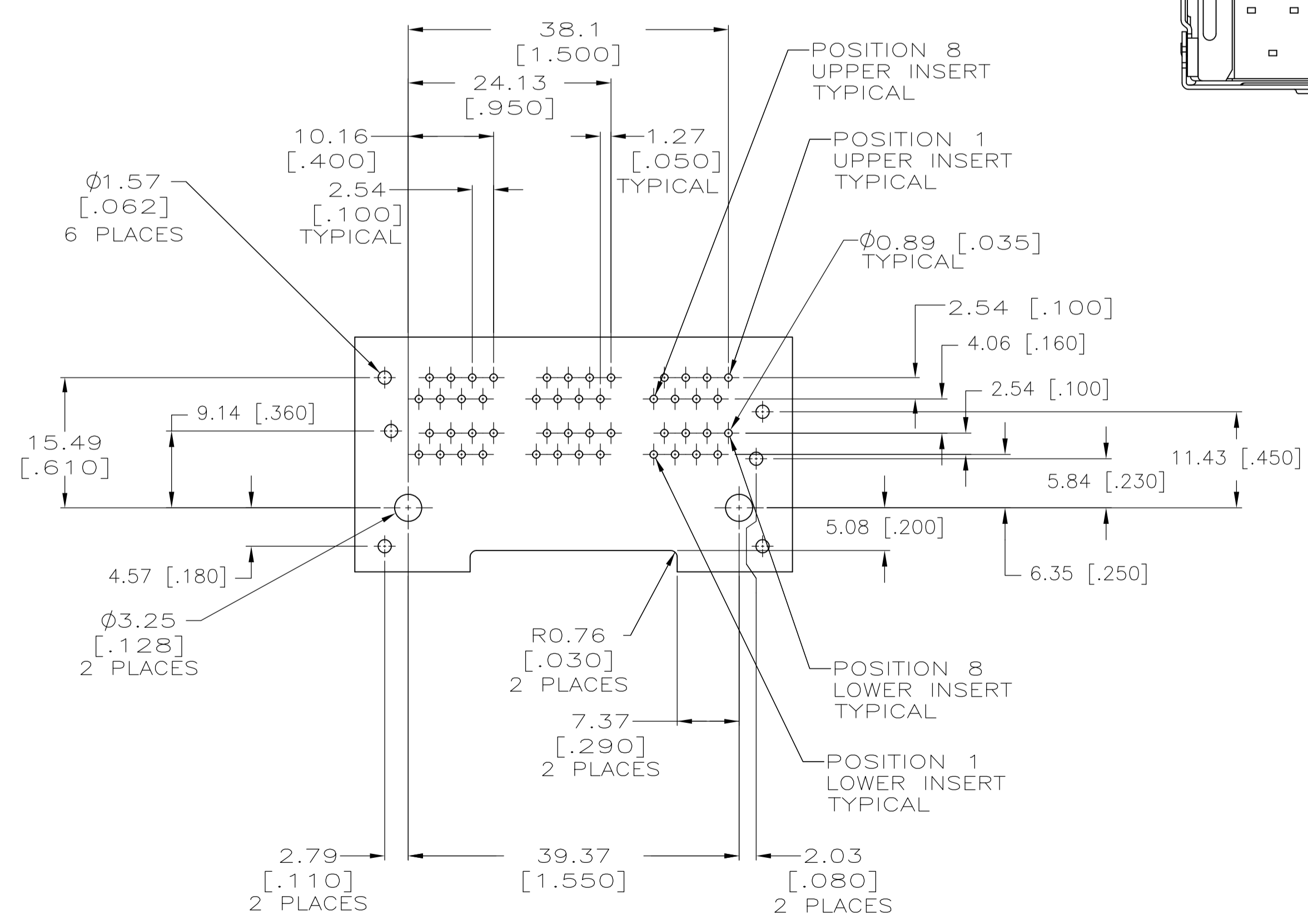
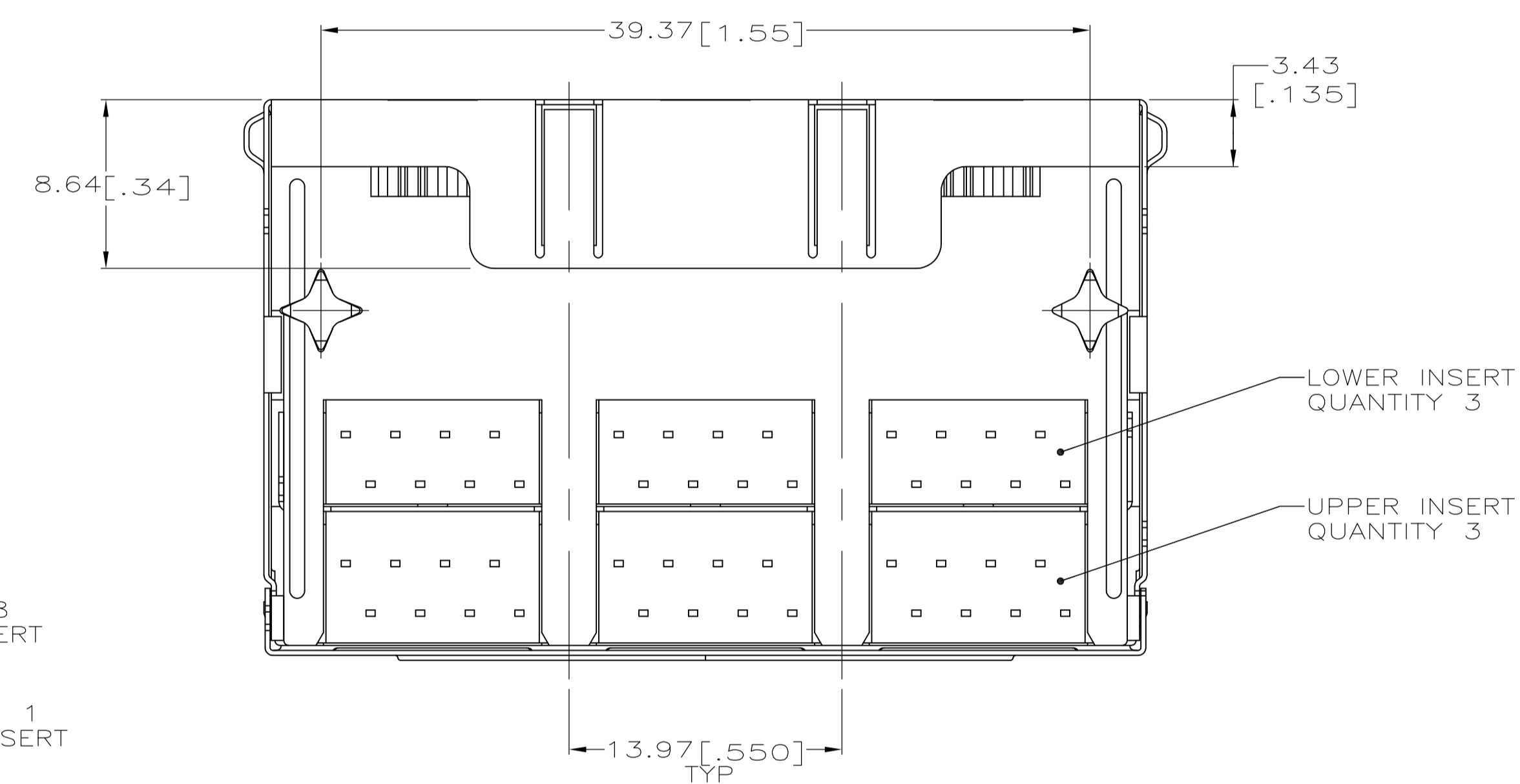
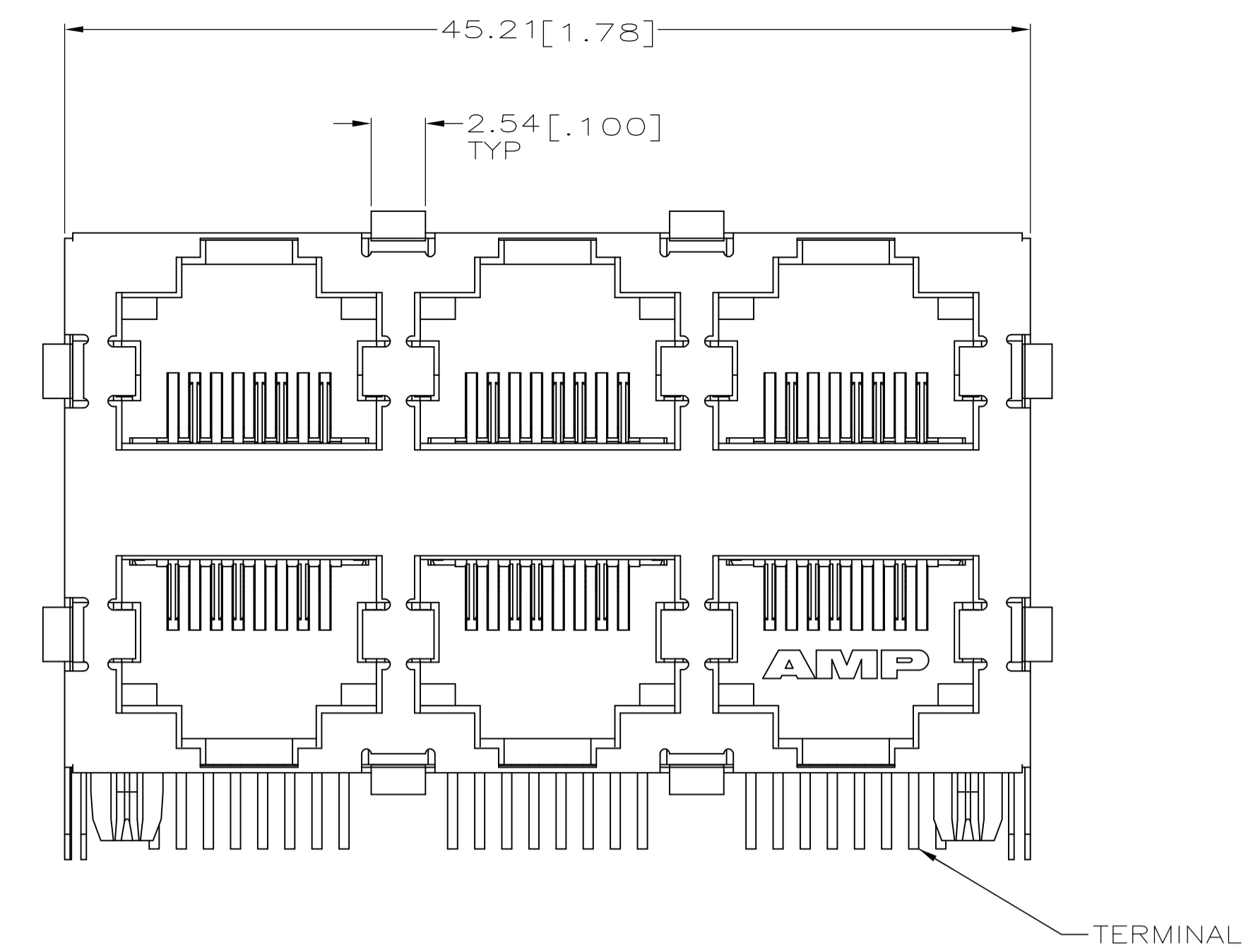
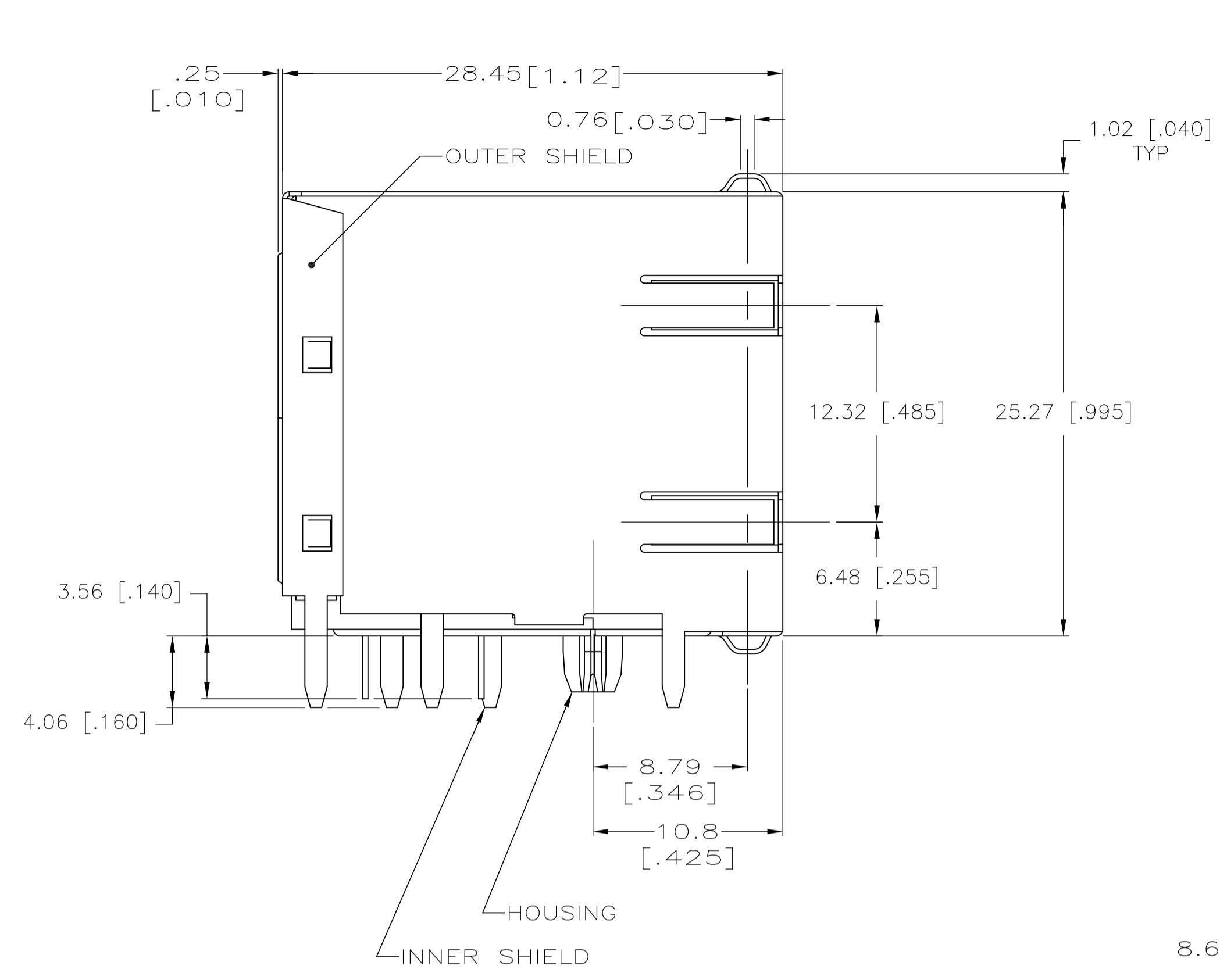


LOC		DIST		REVISONS			
AA	22	REV	DESCRIPTION	DATE	BY	APPV	
A1		REVISED	ECR-08-031628	02DEC08	AZ	SY	



PC BOARD LAYOUT VIEWED FROM COMPONENT SIDE
SCALE 2:1

SUGGESTED PANEL CUTOUT DIMENSIONS
SCALE 2:1

- ⚠ MATERIAL:
HOUSING - PCT POLYESTER, BLACK, UL94V-0.
OVERMOLDED TERMINAL ARRAY - PBT, BROWN.
TERMINALS - 0.33 [.013] THICK PHOS BRONZE
PLATED WITH 1.27um [.000050] MIN THICK
HARD GOLD IN LOCALIZED AREA AND 3.81um
[.000150] MIN THICK MATTE TIN IN SOLDER
AREA OVER 1.27um [.000050] MIN THICK
NICKEL UNDERPLATE.
SHIELDS - 0.25 [.010] THICK COPPER ALLOY
PLATED WITH 1.27 um [.000050] MINIMUM NICKEL
AND 2.03 um [.000080] MINIMUM HOT TIN DIP
ON PCB GROUND TABS.
- ⚠ JACK CAVITY CONFORMS TO FCC RULES AND
REGULATIONS, PART 68 SUBPART F.
- ⚠ DATE CODE LOCATED ON REAR OF PART
APPROXIMATELY AS SHOWN:
FIRST 2 DIGITS ARE LAST 2 DIGITS OF YEAR,
SECOND 2 DIGITS ARE MANUFACTURING
WORK WEEK,
LAST DIGIT IS DAY OF WEEK, WITH SUNDAY = 1.

THIS DRAWING IS A CONTROLLED DOCUMENT.		DIN A. FERNANDEZ-DOCK5 15JUN2005	Tyco Electronics Corporation Harrisburg, PA 17105-3608	
DIMENSIONS: mm [INCHES]		CHK J. WESTMAN 15JUN2005	NAME S. FLICKINGER 15JUN2005	
TOLERANCES UNLESS OTHERWISE SPECIFIED:		PRODUCT SPEC 108-1163-2		
0 PLC ± -		APPLICATION SPEC 114-2048		
1 PLC ± -		SIZE A1		
2 PLC ± 0.25[.01]		SCALE 4:1		
3 PLC ± 0.13[.005]		SHEET 1 of 1		
4 PLC ± -		REV A1		
ANGLES ± -		RESTRICTED TO		
MATERIAL		CUSTOMER DRAWING		
FINISH		DRAWING NO 00779		
		PART NUMBER 5569261-1		