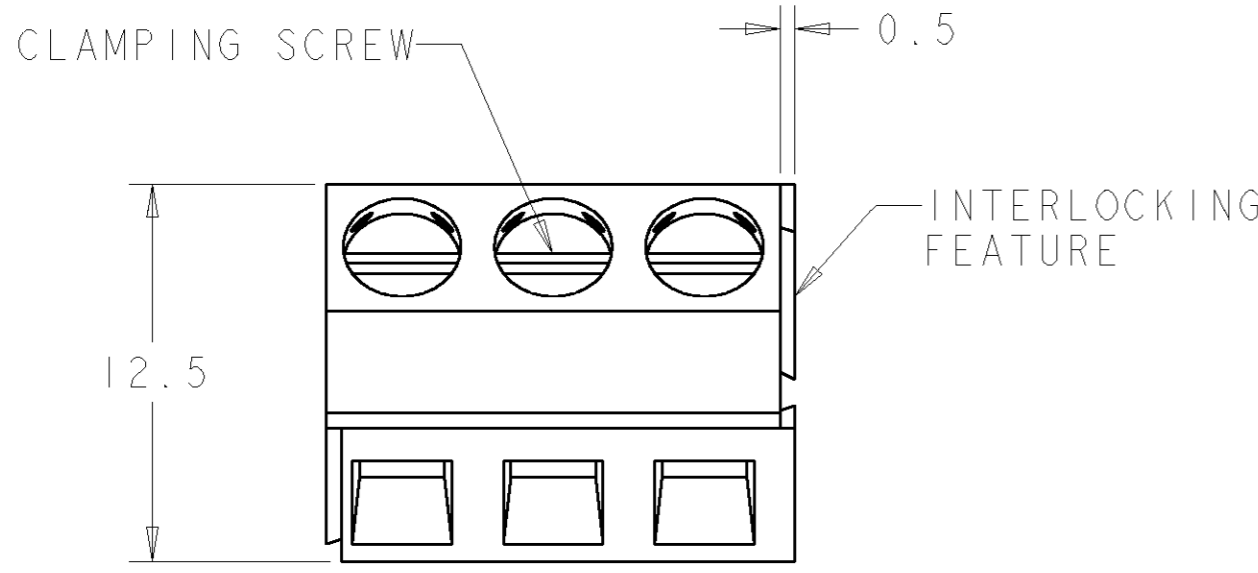


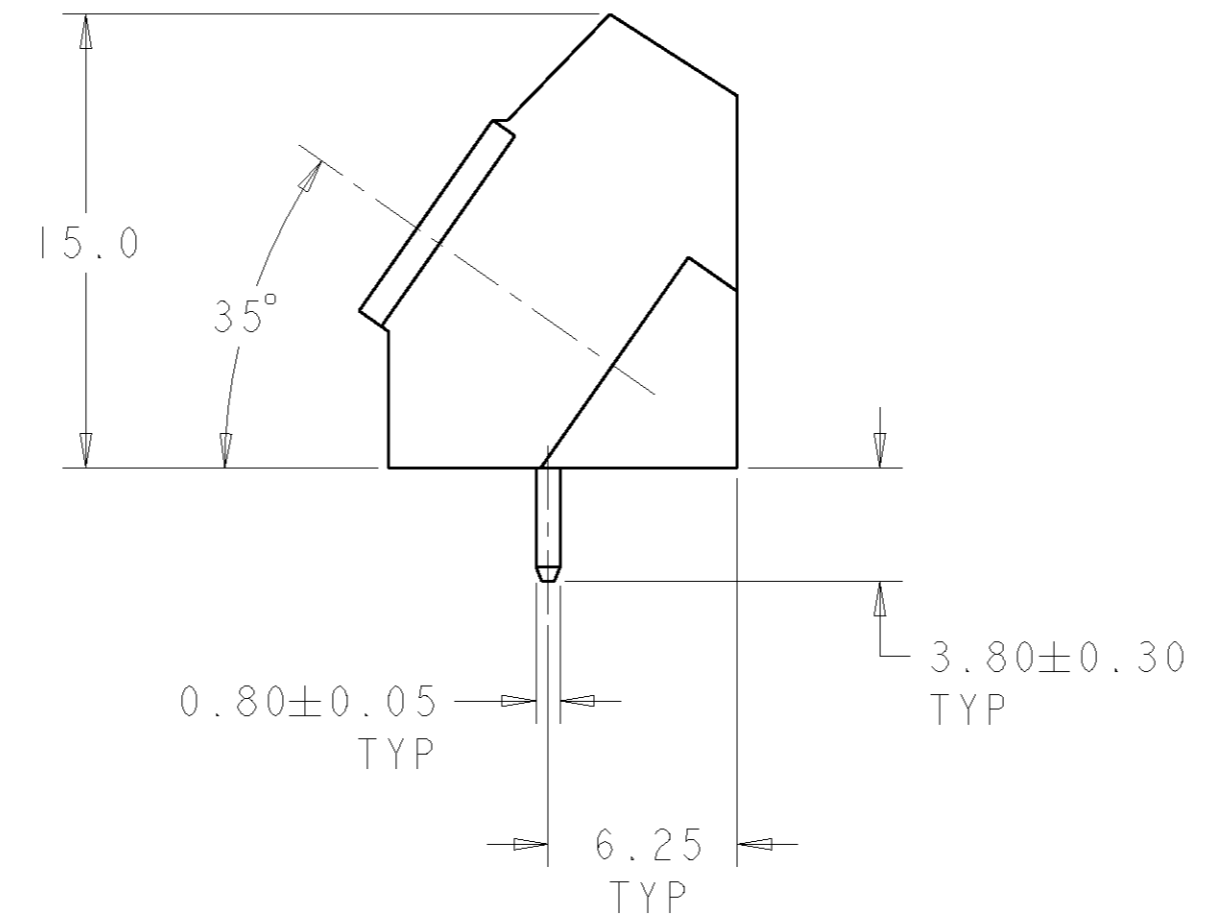
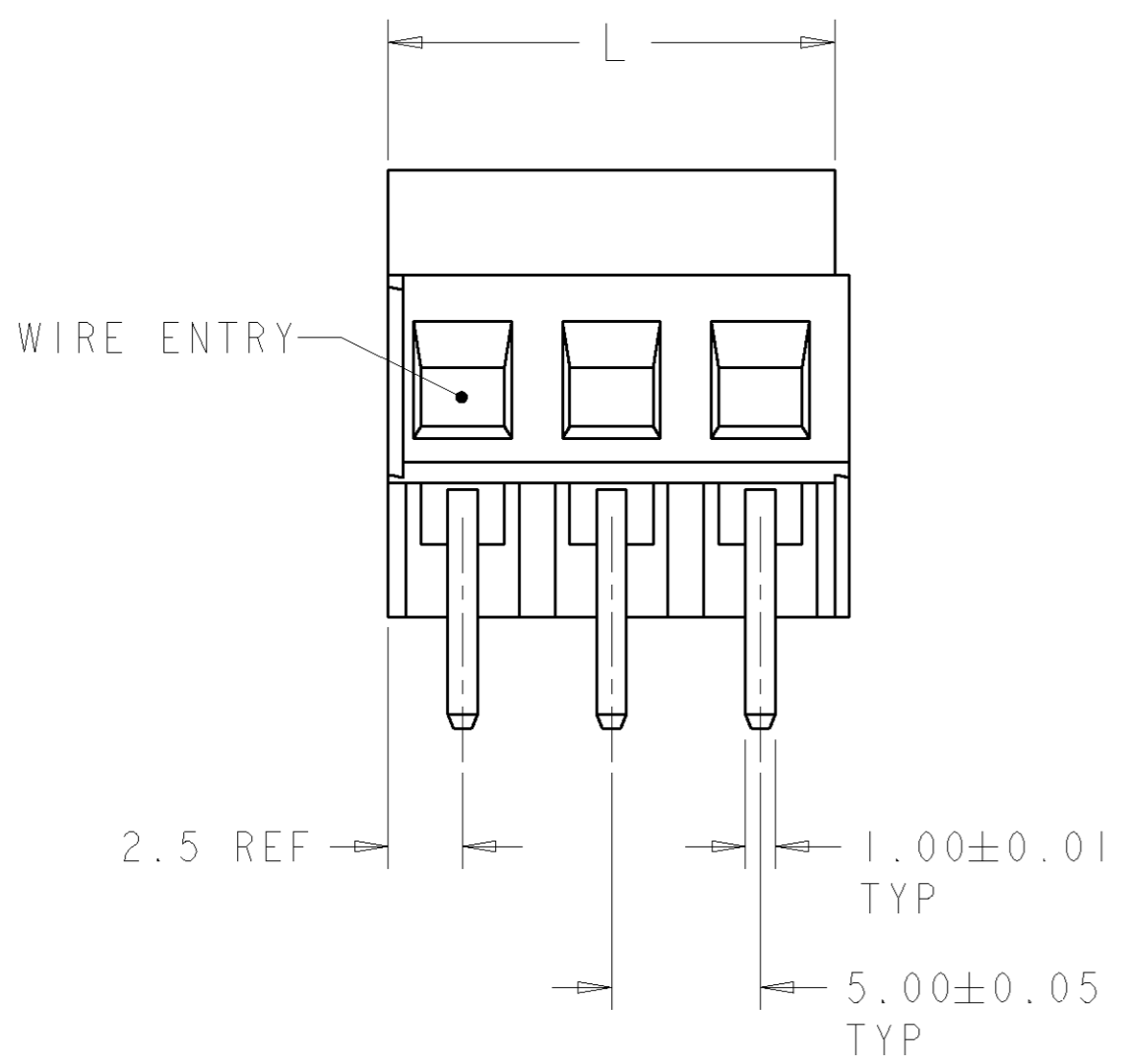
THIS DRAWING IS UNPUBLISHED. RELEASED FOR PUBLICATION 20
 © COPYRIGHT BY ALL RIGHTS RESERVED.

| LOC | DIST | REVISIONS | | | |
|-----|------|------------------------------|---------|-----|------|
| P | LTR | DESCRIPTION | DATE | DWN | APVD |
| FT | 0 | A1 REVISED PER ECO-11-005294 | 30APR11 | RK | HMR |

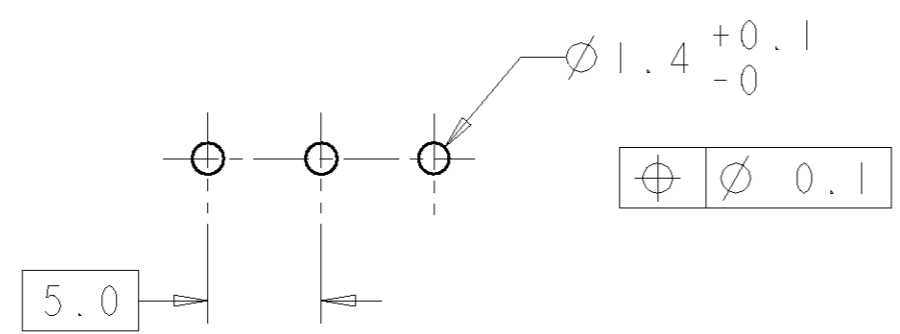


- ⚠ MATERIALS AND FINISH:
 HOUSING: PA 6-6, UL 94-V0, COLOR: BLACK.
 CLAMP: BRASS, NICKEL PLATED.
 TERMINAL: BRASS, TIN PLATED.
 CLAMPING SCREW: M3, BRASS, NICKEL PLATED.
- SUITABLE FOR 1,6-2,4mm PCB THICKNESS.
 - END-TO-END STACKABLE W/INTERLOCK, WITHOUT LOSS OF CENTERLINE SPACING.
 - WIRE RANGE: 12-30 AWG.
 - RECOGNIZED UNDER THE COMPONENT PROGRAM OF UNDERWRITERS LABORATORIES INC. FILE N° E60677.
 - IMQ CERTIFICATE WITH SURVEILLANCE IN CONFORMITY WITH IEC 998-1/998-2-1.

⚠ NOT CUMULATIVE TOLERANCE.



| L | NO OF POSN | PART NUMBER |
|-------|------------|-------------|
| 120.0 | 24 | 2-796689-4 |
| 115.0 | 23 | 2-796689-3 |
| 110.0 | 22 | 2-796689-2 |
| 105.0 | 21 | 2-796689-1 |
| 100.0 | 20 | 2-796689-0 |
| 95.0 | 19 | 1-796689-9 |
| 90.0 | 18 | 1-796689-8 |
| 85.0 | 17 | 1-796689-7 |
| 80.0 | 16 | 1-796689-6 |
| 75.0 | 15 | 1-796689-5 |
| 70.0 | 14 | 1-796689-4 |
| 65.0 | 13 | 1-796689-3 |
| 60.0 | 12 | 1-796689-2 |
| 55.0 | 11 | 1-796689-1 |
| 50.0 | 10 | 1-796689-0 |
| 45.0 | 9 | 796689-9 |
| 40.0 | 8 | 796689-8 |
| 35.0 | 7 | 796689-7 |
| 30.0 | 6 | 796689-6 |
| 25.0 | 5 | 796689-5 |
| 20.0 | 4 | 796689-4 |
| 15.0 | 3 | 796689-3 |
| 10.0 | 2 | 796689-2 |



RECOMMENDED PC BOARD LAYOUT

| | | | | | | |
|--------------------|--|---|--|---|---|--------|
| DIMENSIONS: mm | | TOLERANCES UNLESS OTHERWISE SPECIFIED: 0 PLC ±.3 1 PLC ±.3 2 PLC ±.25 3 PLC ±. 4 PLC ±. ANGLES ±2 FINISH | | DWN 02SEP2003 S. WELDON CHK 02SEP2003 C. RICHARD APVD 02SEP2003 C. RICHARD | STE TE Connectivity NAME TERMINAL BLOCK, PCB MOUNT ANGLED WIRE ENTRY, STACKING W/INTERLOCK, 5.00mm PITCH | |
| MATERIAL | | PRODUCT SPEC 108-20166 APPLICATION SPEC 114-20079 WEIGHT - | SIZE A2 CAGE CODE 00779 DRAWING NO 796689 | RESTRICTED TO | | |
| CUSTOMER DRAWING | | | SCALE 3:1 | SHEET | OF | REV A1 |