

THIS DRAWING IS UNPUBLISHED. RELEASED FOR PUBLICATION SEP. 2005.  
 © COPYRIGHT 2005 By - ALL RIGHTS RESERVED.


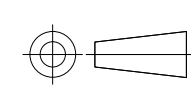
LOC	DIST	REVISIONS					
		P	LTR	DESCRIPTION	DATE	DWN	APVD
-	-		S	REVISED PER ECR-15-016490	11NOV2015	T.Z	H.W

- 1 CONTACT COPLANALITY IS 0.1 MAX.
- 2 THIS DIMENSION MEANS CENTER OF THE POCKET.
- 3 M3 TAPPING + BVTP RECOMMENDED TORQUE: 68.6N (7Kgf) MAX.
- 4 FINISH  
CONTACT: V μm MIN. Au PL. ON CONTACT AREA (V: SEE TABLE)  
0.03~0.1 μm Au PL. ON TERMINAL AREA  
Ni UNDER PL. ALL OVER  
SHELL: Sn PL. (MATTE) ALL OVER  
Ni UNDER PL. ALL OVER
- 5 SCREW SIZE
- 6 QTY PRINT ON THE LABEL. (EMBOSS PACKING)

- 1 コンタクトコプラナリティーは 0.1 以下。
- 2 本寸法はポケットの中心を表す。
- 3 M3 TAPPING + BVTP 推奨トルク: 68.6N (7Kgf) 以下。
- 4 仕上  
コンタクト: コンタクトエリアに V μm 以上の 金めっき (V: 表参照)  
ターミナルエリアに 0.03~0.1 μm の金めっき  
ニッケル下地めっきを施す  
シェル: すずめっき (つや消し)  
ニッケル下地めっきを施す
- 5 スクリューサイズ
- 6 数量はラベルに印字される (EMBOSS 梱包)

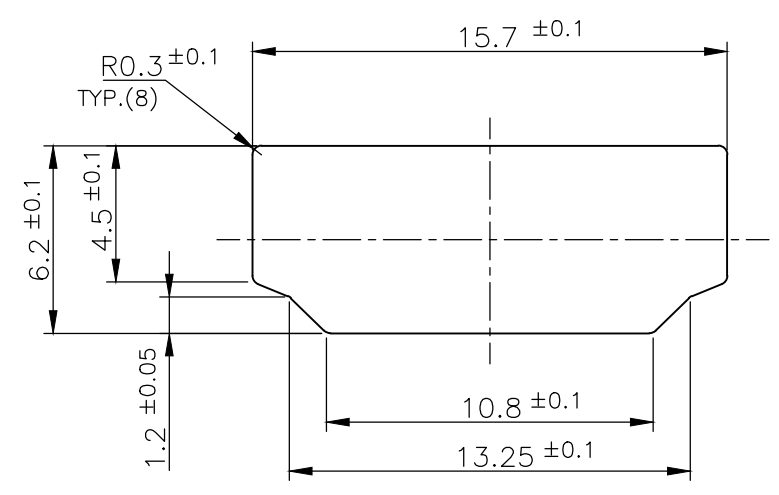
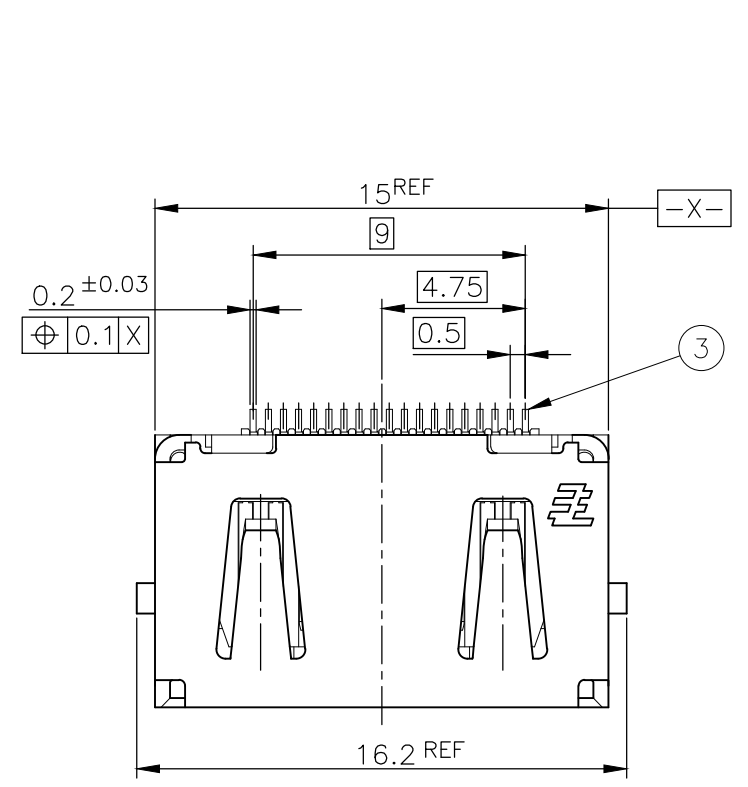
0.3	-	70	1.9	-	-	-	-	33.5	37.5	9.32	0.4	32	28.4	14.2	16	WITHOUT TAPE	WITHOUT FLANGE	THROUGH HOLE	(SEE SHEET 2)	SOFT TRAY (SEE SHEET 11)	6-1903015-3
0.76	M3 x 0.5	70	1.9	46	138	6-23	46	-	-	-	-	-	-	-	-	WITH TAPE	WITH FLANGE	THROUGH HOLE	(SEE SHEET 3)	SOFT TRAY (SEE SHEET 7)	9-1903015-4
0.3	M3 x 0.5	200	1.9	-	-	-	-	45.5	49.5	18.3	0.5	44	40.4	20.2	20	WITH TAPE	WITH FLANGE	THROUGH HOLE	(SEE SHEET 3)	EMBOSS (SEE SHEET 6)	9-1903015-3
0.3	M3 x 0.5	70	1.9	-	-	-	-	-	-	-	-	-	-	-	-	WITHOUT TAPE	WITH FLANGE	THROUGH HOLE	(SEE SHEET 3)	SOFT TRAY (SEE SHEET 10)	8-1903015-4
0.1	-	550	1.9	-	-	-	-	33.5	37.5	9.32	0.4	32	28.4	14.2	16	WITHOUT TAPE	WITHOUT FLANGE	THROUGH HOLE	(SEE SHEET 2)	EMBOSS (SEE SHEET 6)	7-1903015-1
0.3	M3 x 0.5	200	1.9	-	-	-	-	45.5	49.5	18.3	0.5	44	40.4	20.2	20	WITHOUT TAPE	WITH FLANGE	FULL SMT	(SEE SHEET 5)	EMBOSS (SEE SHEET 6)	5-1903015-9
0.3	-	550	0.8	-	-	-	-	33.5	37.5	9.32	0.4	32	28.4	14.2	16	WITHOUT TAPE	WITHOUT FLANGE	THROUGH HOLE	(SEE SHEET 2)	EMBOSS (SEE SHEET 6)	5-1903015-5
0.3	M3 x 0.5	70	1.9	46	138	6-23	46	-	-	-	-	-	-	-	-	WITHOUT TAPE	WITH FLANGE	THROUGH HOLE	(SEE SHEET 3)	SOFT TRAY (SEE SHEET 7)	5-1903015-4
0.3	M3 x 0.5	200	1.9	-	-	-	-	45.5	49.5	18.3	0.5	44	40.4	20.2	20	WITHOUT TAPE	WITH FLANGE	THROUGH HOLE	(SEE SHEET 3)	EMBOSS (SEE SHEET 6)	5-1903015-3
0.3	∅2.65±0.3	70	1.9	46	138	6-23	46	-	-	-	-	-	-	-	-	WITHOUT TAPE	WITH FLANGE	THROUGH HOLE	(SEE SHEET 3)	SOFT TRAY (SEE SHEET 7)	5-1903015-2
0.3	-	400	1.9	-	-	-	-	33.5	37.5	9.32	0.4	32	28.4	14.2	16	WITHOUT TAPE	WITHOUT FLANGE	THROUGH HOLE	(SEE SHEET 2)	EMBOSS (SEE SHEET 6)	5-1903015-1
0.3	M3 x 0.5	70	1.0	46	138	6-23	46	-	-	-	-	-	-	-	-	WITHOUT TAPE	WITH FLANGE	THROUGH HOLE	(SEE SHEET 3)	SOFT TRAY (SEE SHEET 7)	4-1903015-1
0.76	-	400	1.2	-	-	-	-	33.5	37.5	9.32	0.4	32	28.4	14.2	16	WITHOUT TAPE	WITHOUT FLANGE	THROUGH HOLE	(SEE SHEET 2)	EMBOSS (SEE SHEET 6)	2-1903015-2
0.76	M3 x 0.5	70	1.9	-	-	-	-	-	-	-	-	-	-	-	-	WITHOUT TAPE	WITH FLANGE	THROUGH HOLE	(SEE SHEET 3)	SOFT TRAY (SEE SHEET 9)	1903015-8
0.76	∅2.65±0.3	70	1.9	-	-	-	-	-	-	-	-	-	-	-	-	WITHOUT TAPE	WITH FLANGE	THROUGH HOLE	(SEE SHEET 3)	SOFT TRAY (SEE SHEET 9)	1903015-7
0.76	M3 x 0.5	50	1.9	54.4	120	4-30	54.4	-	-	-	-	-	-	-	-	WITHOUT TAPE	WITH FLANGE	THROUGH HOLE	(SEE SHEET 3)	SOFT TRAY (SEE SHEET 9)	1903015-5
0.76	M3 x 0.5	70	1.9	46	138	6-23	46	-	-	-	-	-	-	-	-	WITHOUT TAPE	WITH FLANGE	THROUGH HOLE	(SEE SHEET 4)	SOFT TRAY (SEE SHEET 8)	1903015-4
0.76	M3 x 0.5	200	1.9	-	-	-	-	45.5	49.5	18.3	0.5	44	40.4	20.2	20	WITHOUT TAPE	WITH FLANGE	THROUGH HOLE	(SEE SHEET 4)	EMBOSS (SEE SHEET 6)	1903015-3
0.76	∅2.65±0.3	70	1.9	46	138	6-23	46	-	-	-	-	-	-	-	-	WITHOUT TAPE	WITH FLANGE	THROUGH HOLE	(SEE SHEET 3)	SOFT TRAY (SEE SHEET 7)	1903015-2
0.76	-	400	1.9	-	-	-	-	33.5	37.5	9.32	0.4	32	28.4	14.2	16	WITHOUT TAPE	WITHOUT FLANGE	THROUGH HOLE	(SEE SHEET 2)	EMBOSS (SEE SHEET 6)	1903015-1
V	U	T	AA	S	R	P	N	M	L	K	J	H	G	F	E	POLYIMIDE TAPE	FLANGE	SHELL TYPE	CONNECTOR	PACKING	PART NUMBER

4 Au PL. 5 SCREW SIZE QTY DIMENSION PART LIST

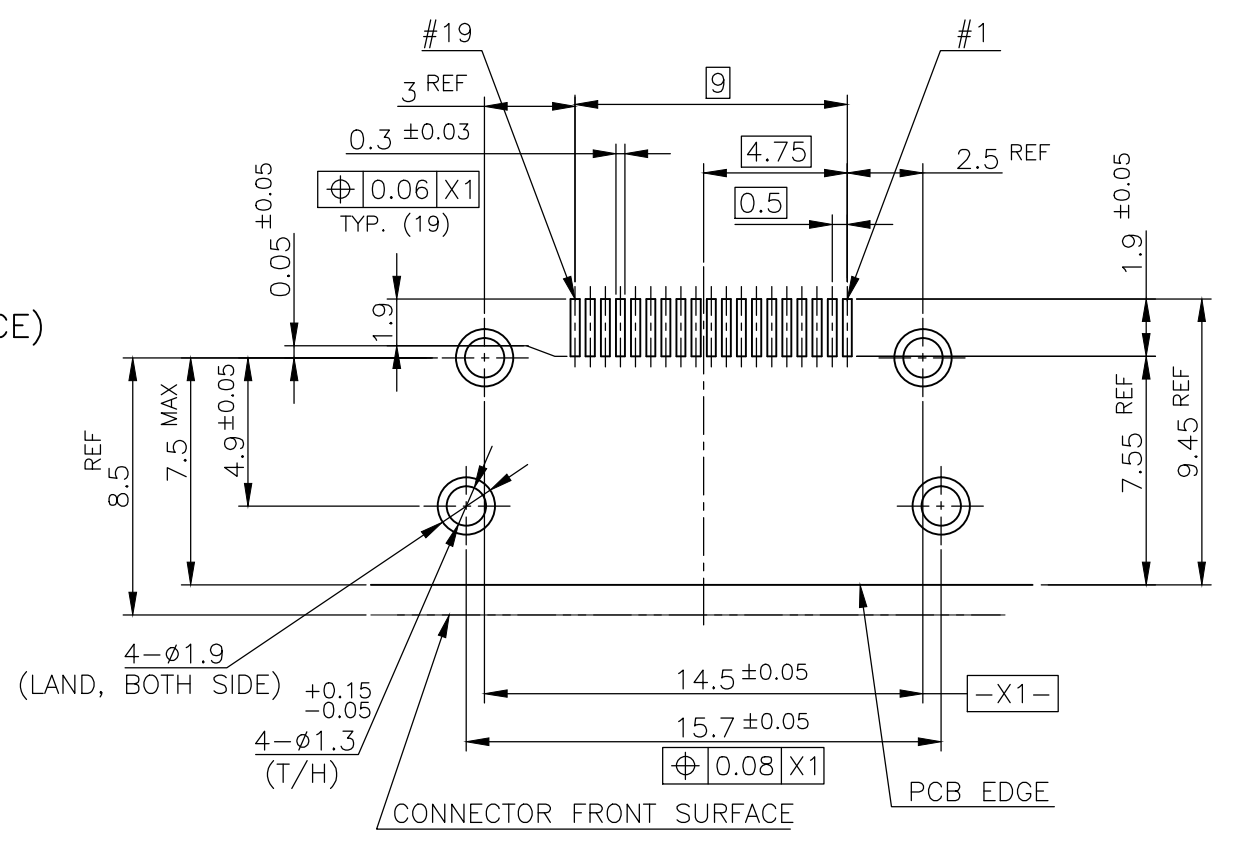
THIS DRAWING IS A CONTROLLED DOCUMENT.		DWN R.MURAYAMA 26SEP2005	 TE Connectivity	
DIMENSIONS: 単位: 概 mm 		CHK T.KIMURA 26SEP2005		
TOLERANCES UNLESS OTHERWISE SPECIFIED: 一般公差 0 PLC ± 1 PLC ± 2 PLC ± 3 PLC ± 4 PLC ± ANGLES ±		APVD T.KIMURA 26SEP2005	NAME 名称 HDMI 19 POS RECEPTACLE ASSY SMT SHORT TYPE	
MATERIAL 材料		PRODUCT SPEC 製品規格 108-78180-2	SIZE A3	
FINISH 仕上		APPLICATION SPEC 取付適用規格	CAGE CODE 00779	DRAWING NO 番号 C-1903015
WEIGHT		RESTRICTED TO		SCALE 尺度 4:1
CUSTOMER DRAWING		SHEET 1 OF 12		REV S

THIS DRAWING IS UNPUBLISHED. RELEASED FOR PUBLICATION SEP, 2005.  
 © COPYRIGHT 2005 By - ALL RIGHTS RESERVED.

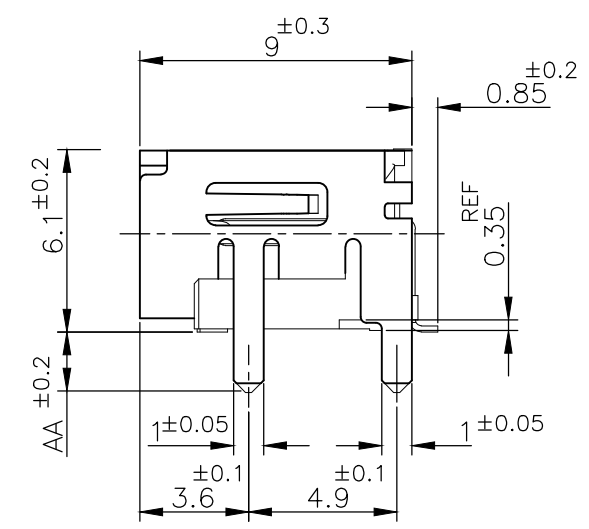
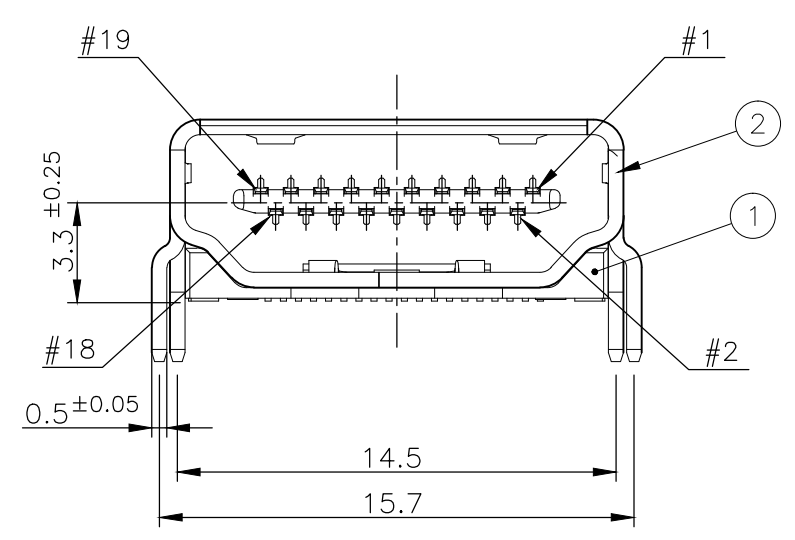
LOC	DIST	REVISIONS			DATE	DWN	APVD
		P	LTR	DESCRIPTION			
-	-	-	-	SEE SHEET 1	-	-	-



PANEL CUT OUT DIMENSION (REFERENCE)

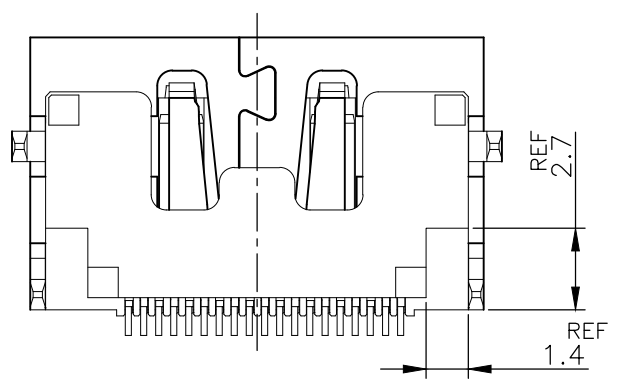


P.C.B LAYOUT (REFERENCE)  
 SHOWN AS CONNECTOR MOUNTING SIDE  
 TOLERANCE: NON-CUMULATIVE



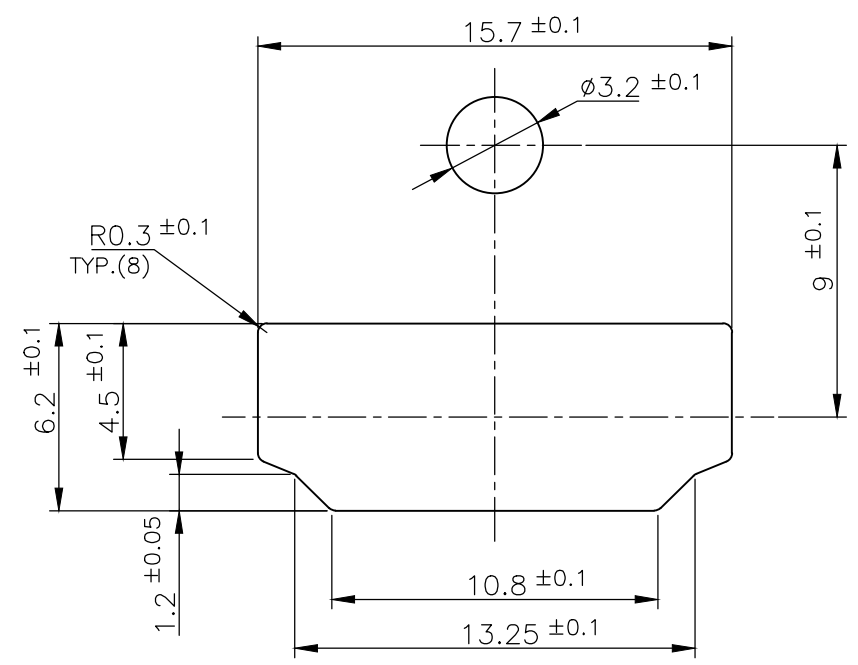
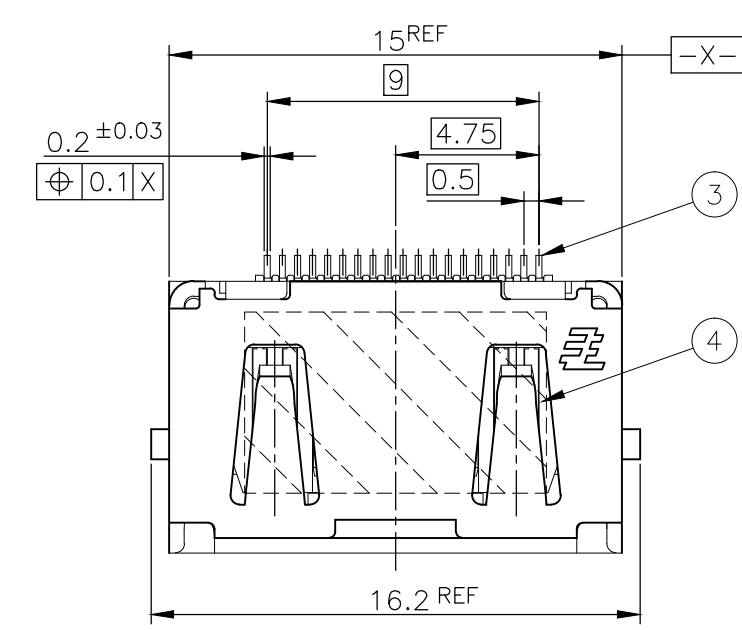
CONNECTOR: WITHOUT FLANGE THROUGH HOLE TYPE

BRASS	CONTACT	(3)
PHOSPHOR BRONZE	SHELL	(2)
GLASS FILLED LCP UL94V-0, BLACK COLOR	HOUSING	(1)
MATERIAL	DESCRIPTION	ITEM

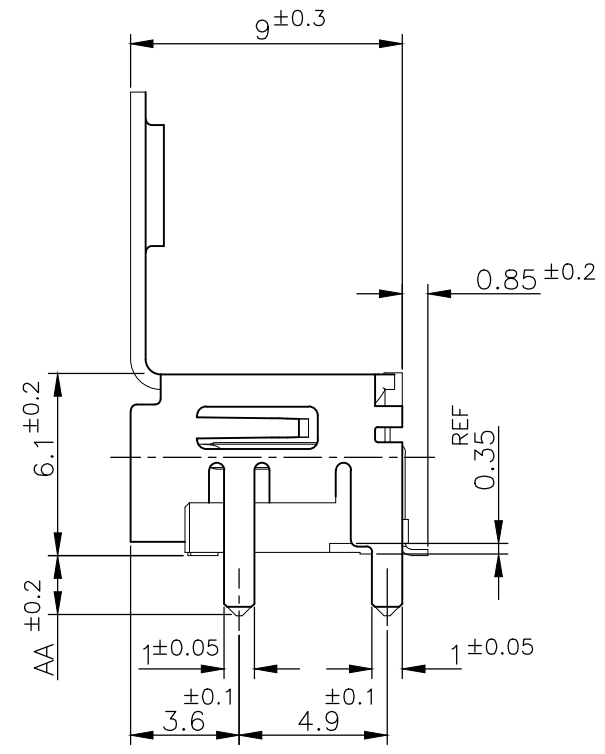
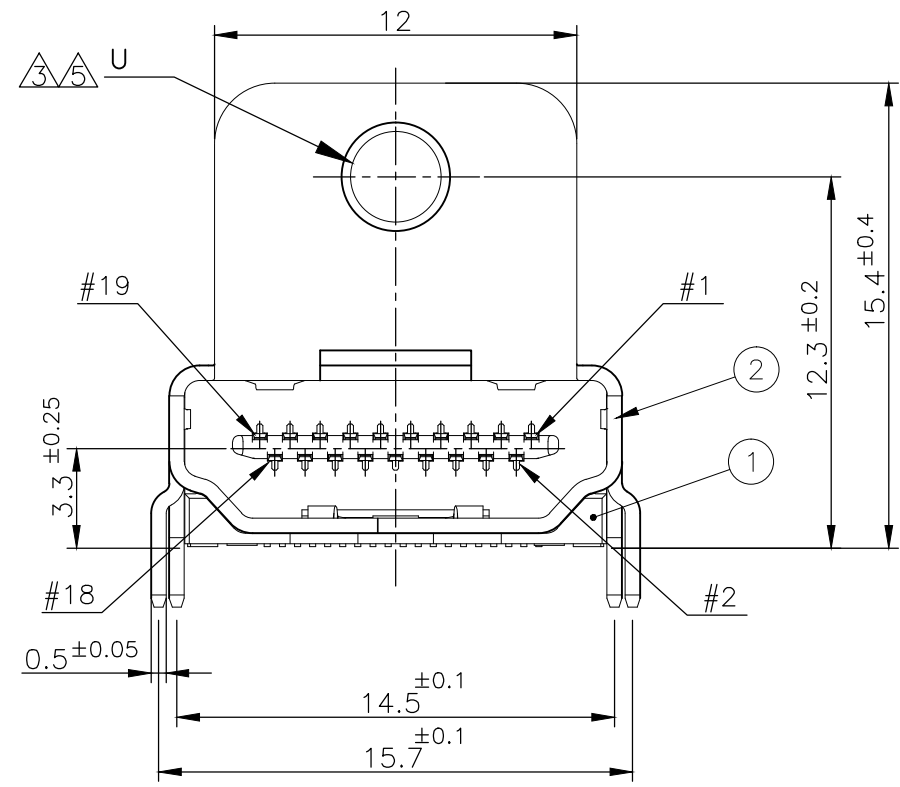


THIS DRAWING IS A CONTROLLED DOCUMENT.		DWN												
DIMENSIONS: 单位: 耗 mm		CHK												
TOLERANCES UNLESS OTHERWISE SPECIFIED: 一般公差		APVD												
<table border="1"> <tr><td>0 PLC</td><td>±</td></tr> <tr><td>1 PLC</td><td>±</td></tr> <tr><td>2 PLC</td><td>±</td></tr> <tr><td>3 PLC</td><td>±</td></tr> <tr><td>4 PLC</td><td>±</td></tr> <tr><td>ANGLES</td><td>±</td></tr> </table>		0 PLC				±	1 PLC	±	2 PLC	±	3 PLC	±	4 PLC	±
0 PLC	±													
1 PLC	±													
2 PLC	±													
3 PLC	±													
4 PLC	±													
ANGLES	±													
MATERIAL 材料	FINISH 仕上	PRODUCT SPEC 製品規格	HDMI 19 POS RECEPTACLE ASSY SMT SHORT TYPE											
		APPLICATION SPEC 取付適用規格	SIZE	CAGE CODE	DRAWING NO 番号	RESTRICTED TO								
		WEIGHT	A300779		G-1903015									
		CUSTOMER DRAWING	SCALE 尺度	4:1	SHEET 2 OF 12	REV S								

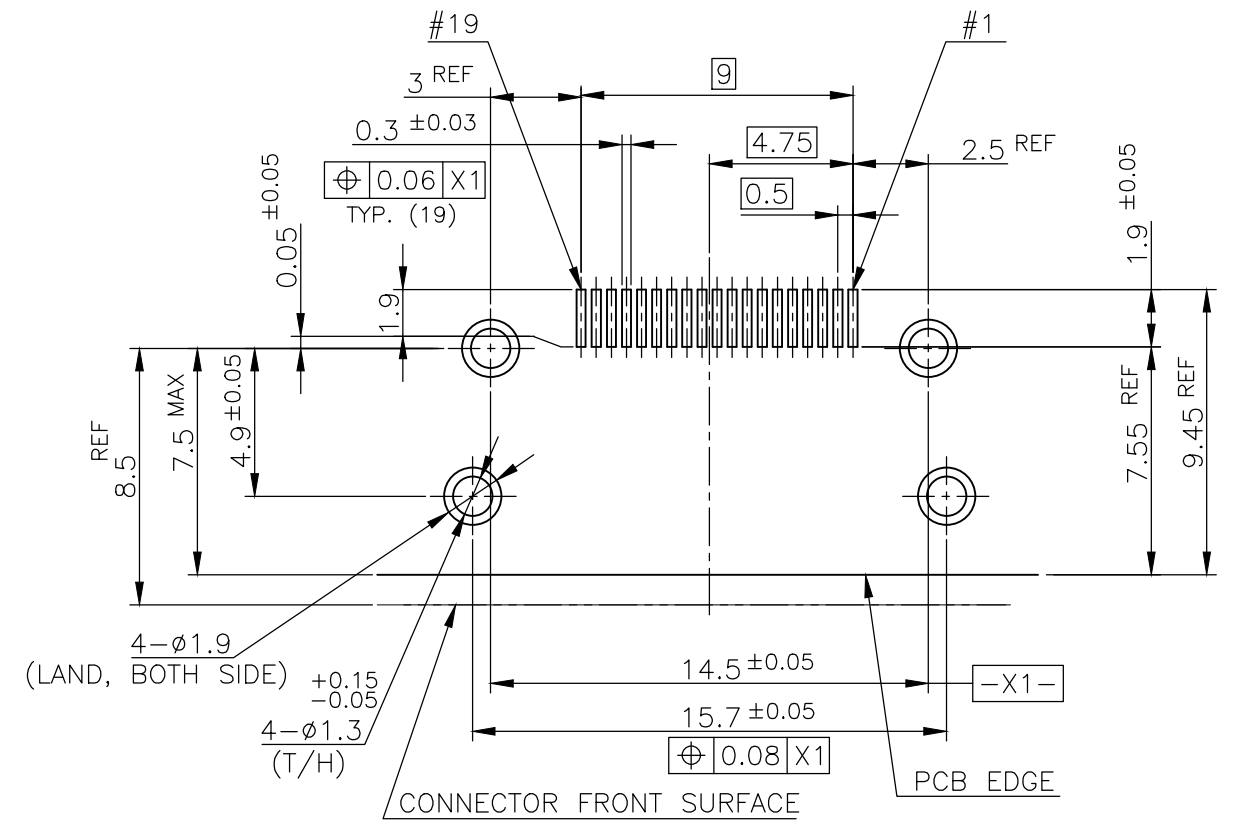
LOC	DIST	REVISIONS		
		P	LTR	DESCRIPTION
-	-	-	-	SEE SHEET 1
				DATE
				DWN
				APVD



PANEL CUT OUT DIMENSION (REFERENCE)

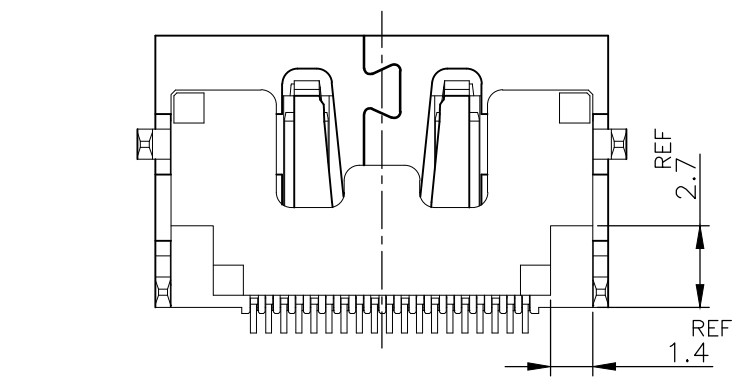


CONNECTOR: WITH FLANGE THROUGH HOLE TYPE



P.C.B LAYOUT (REFERENCE)  
SHOWN AS CONNECTOR MOUNTING SIDE  
TOLERANCE: NON-CUMULATIVE

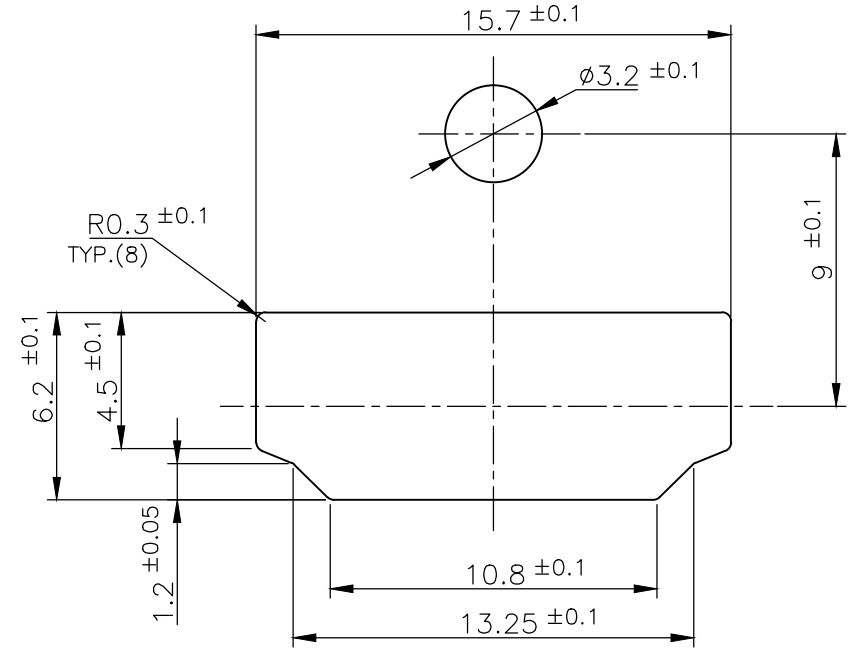
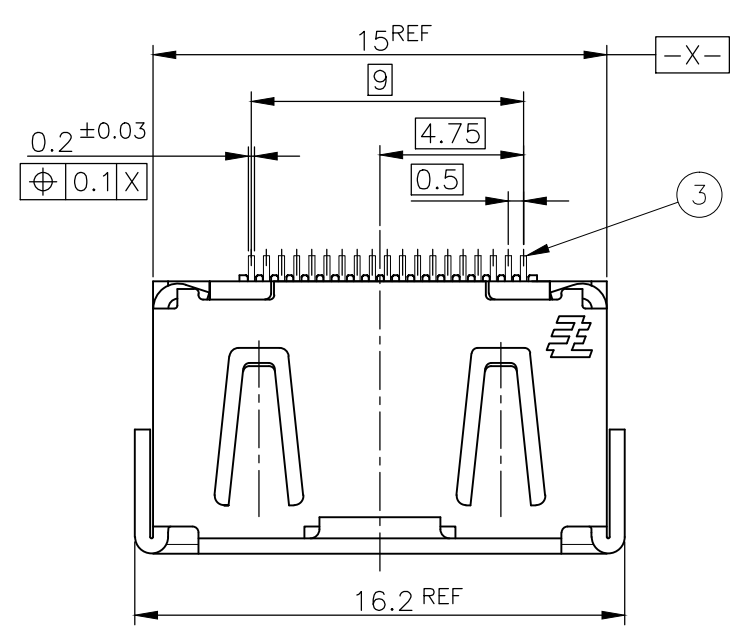
POLYIMIDE	TAPE	(4)
BRASS	CONTACT	(3)
PHOSPHOR BRONZE	SHELL	(2)
GLASS FILLED LCP UL94V-0, BLACK COLOR	HOUSING	(1)
MATERIAL	DESCRIPTION	ITEM



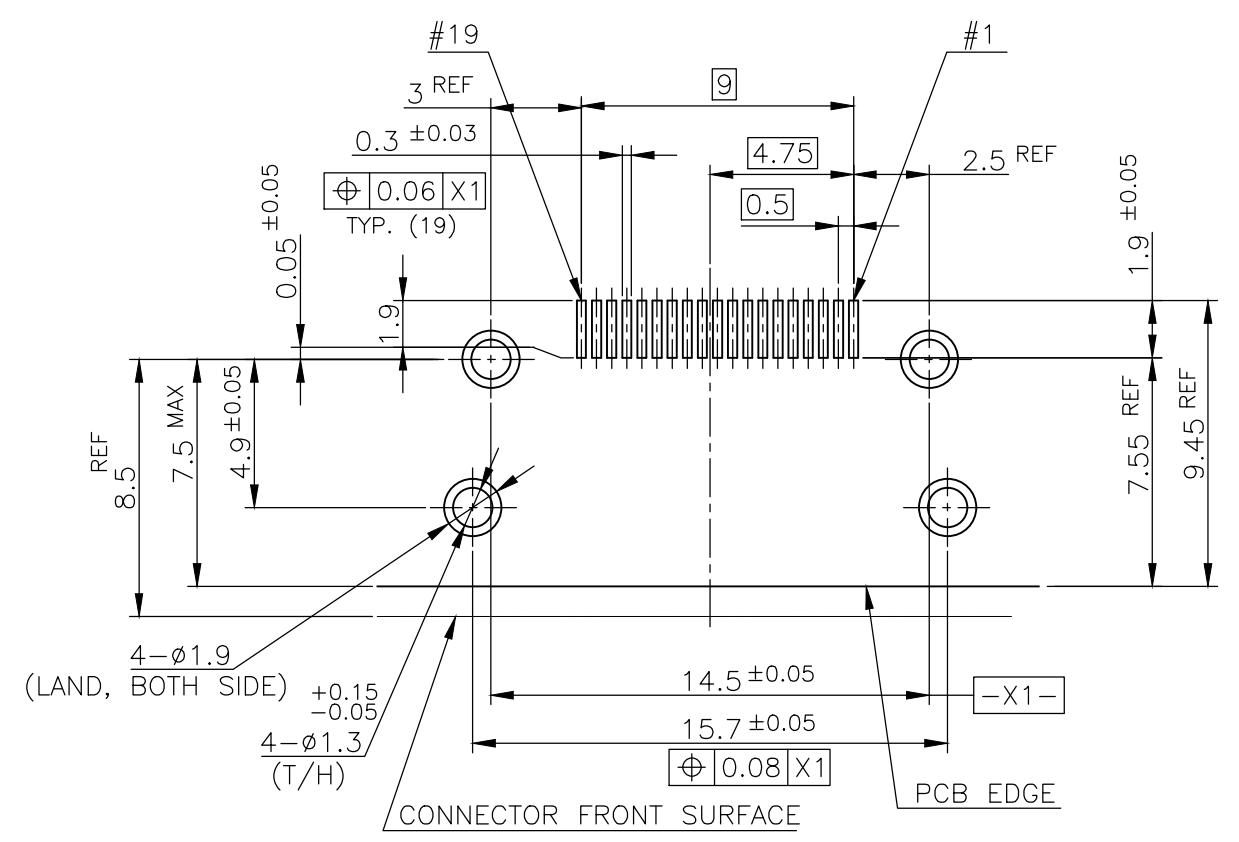
THIS DRAWING IS A CONTROLLED DOCUMENT.		DWN	TE Connectivity	
DIMENSIONS: 單位: 耗 mm		CHK		
TOLERANCES UNLESS OTHERWISE SPECIFIED: 一般公差		APVD		
0 PLC ± 1 PLC ± 2 PLC ± 3 PLC ± 4 PLC ± ANGLES ±		NAME 名称		
MATERIAL 材料		WEIGHT	HDMI 19 POS RECEPTACLE ASSY SMT SHORT TYPE	
FINISH 仕上		CUSTOMER DRAWING	SIZE	RESTRICTED TO
			A3	
			CAGE CODE	
			DRAWING NO	
			G-1903015	
			SCALE 尺度 4:1	
			SHEET 3 OF 12	
			REV S	

THIS DRAWING IS UNPUBLISHED. RELEASED FOR PUBLICATION SEP ,2005.  
 © COPYRIGHT 2005 By - ALL RIGHTS RESERVED.

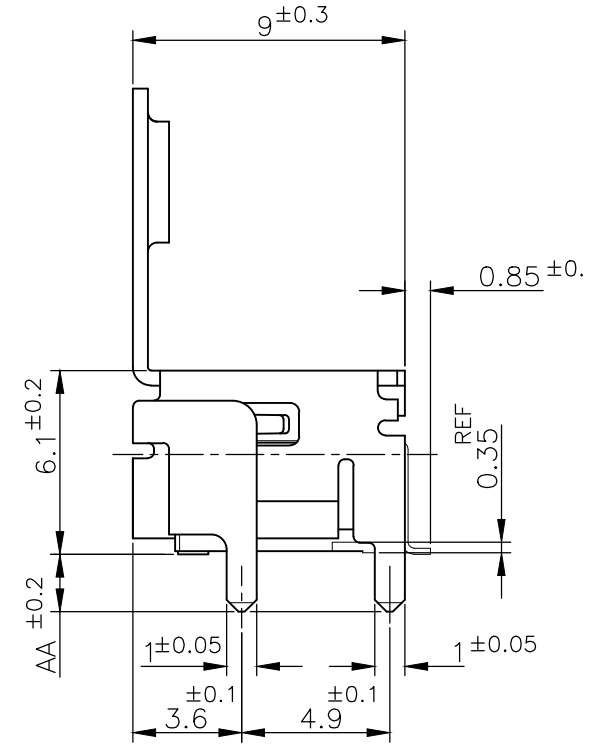
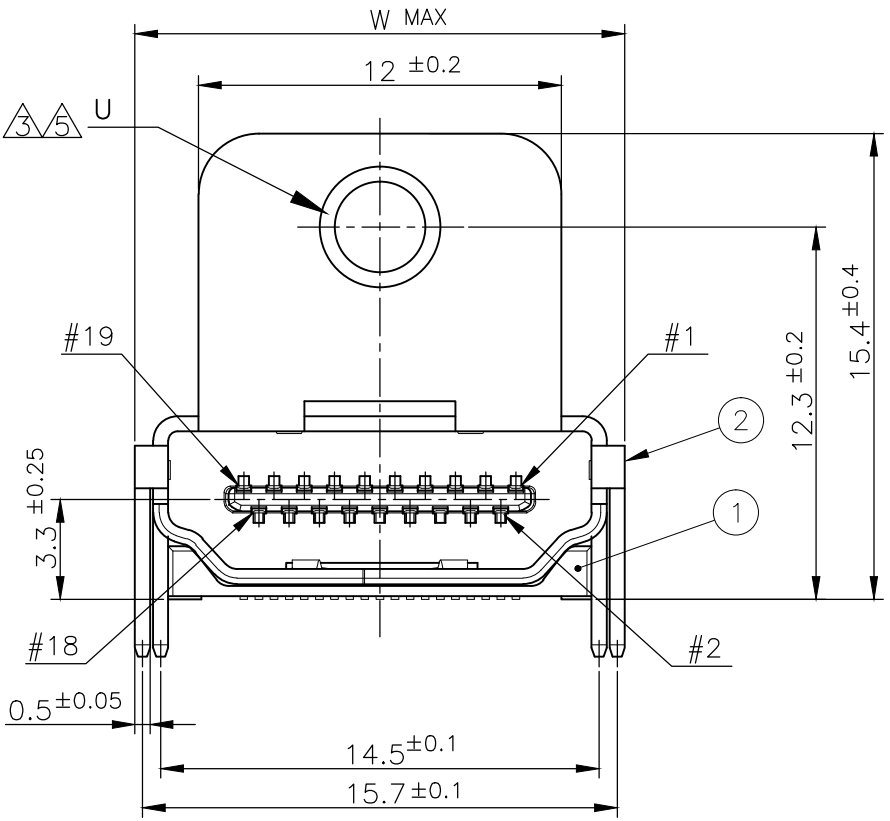
LOC	DIST	REVISIONS			DATE	DWN	APVD
		P	LTR	DESCRIPTION			
-	-	-	-	SEE SHEET 1	-	-	-



PANEL CUT OUT DIMENSION (REFERENCE)

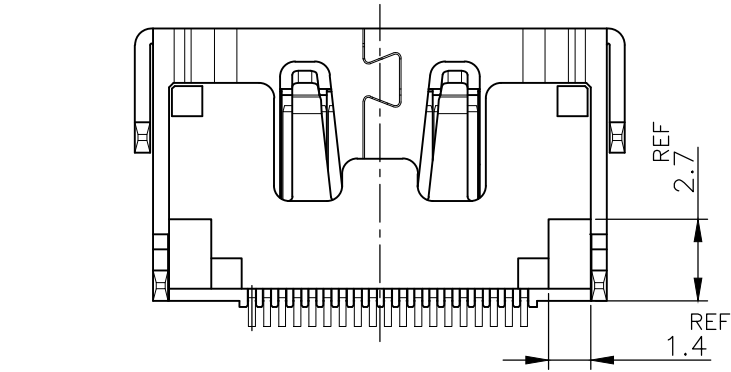


P.C.B LAYOUT (REFERENCE)  
 SHOWN AS CONNECTOR MOUNTING SIDE  
 TOLERANCE: NON-CUMULATIVE



CONNECTOR: WITH FLANGE THROUGH HOLE TYPE

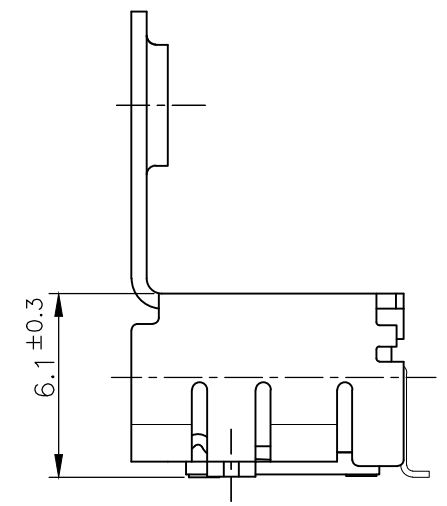
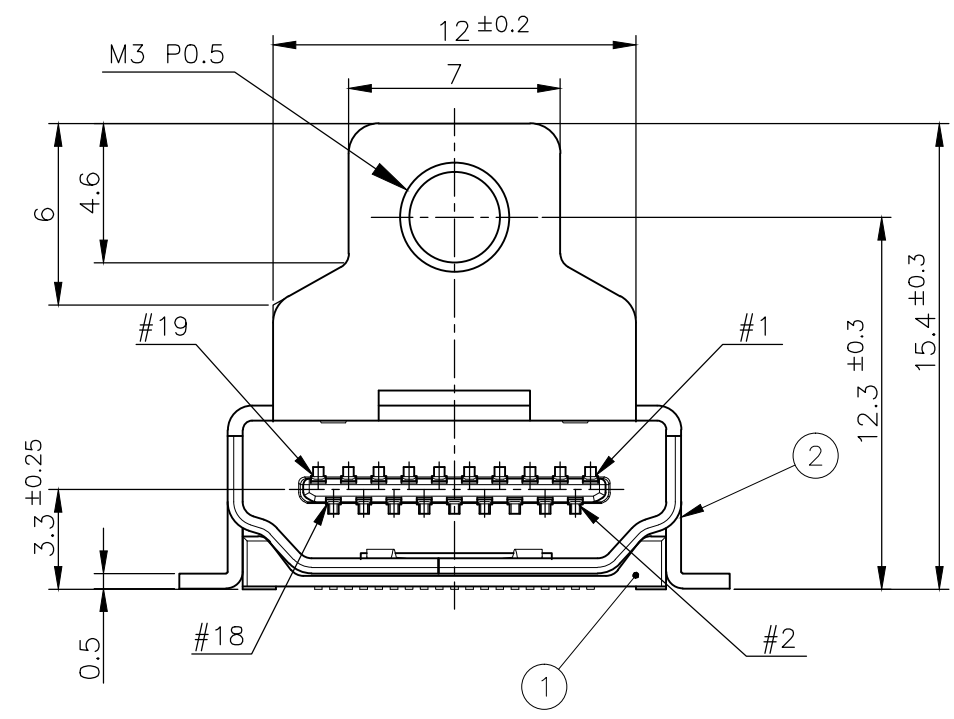
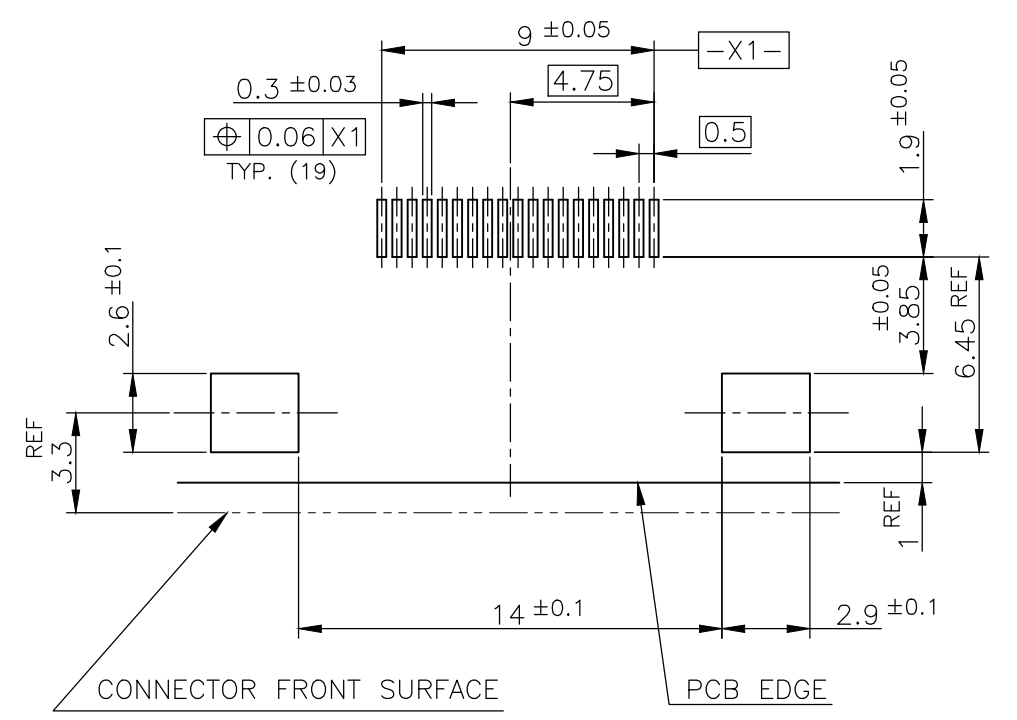
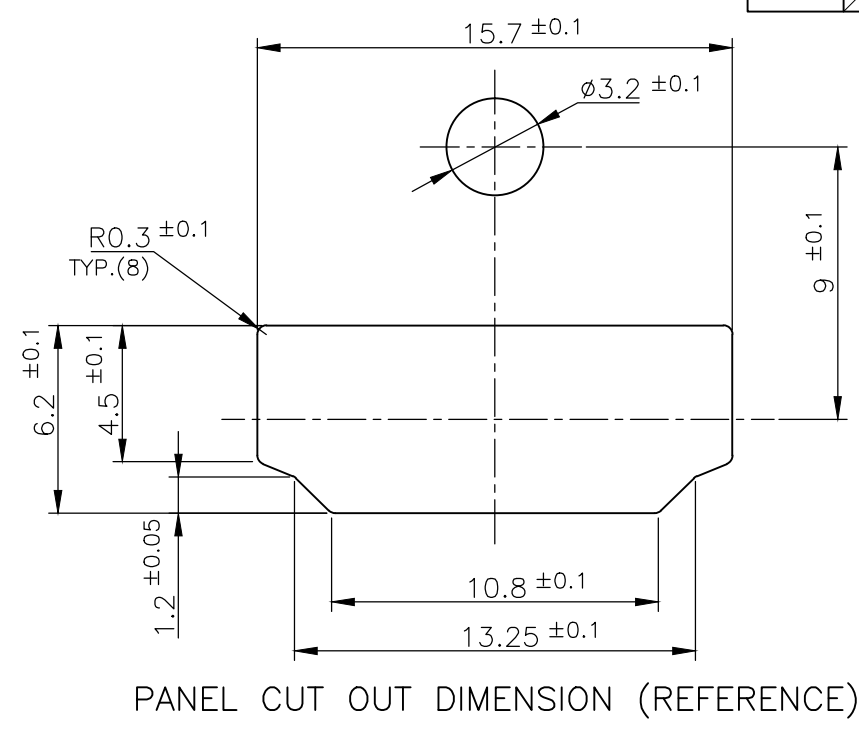
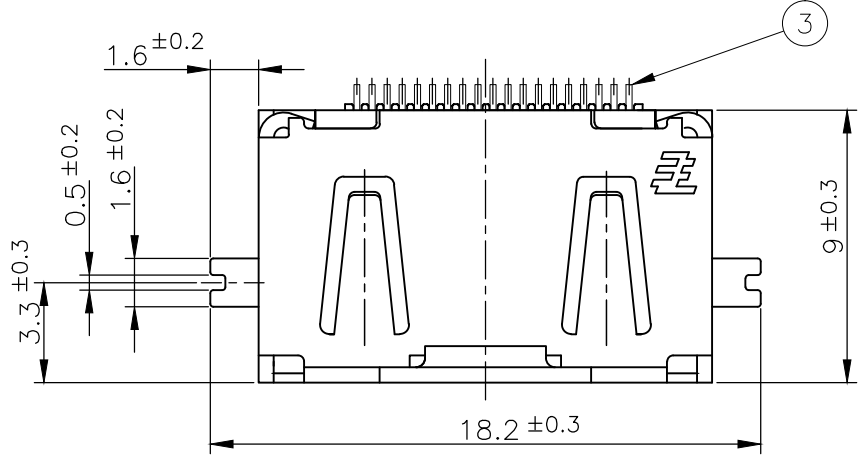
POLYIMIDE	TAPE	④
BRASS	CONTACT	③
PHOSPHOR BRONZE	SHELL	②
GLASS FILLED LCP UL94V-0, BLACK COLOR	HOUSING	①
MATERIAL	DESCRIPTION	ITEM



THIS DRAWING IS A CONTROLLED DOCUMENT.		DWN	TE Connectivity HDMI 19 POS RECEPTACLE ASSY SMT SHORT TYPE			
DIMENSIONS: 單位: 耗 mm		CHK				NAME 名稱
TOLERANCES UNLESS OTHERWISE SPECIFIED: 一般公差		APVD				PRODUCT SPEC 製品規格
0 PLC ± 1 PLC ± 2 PLC ± 3 PLC ± 4 PLC ± ANGLES ±		WEIGHT				APPLICATION SPEC 取付適用規格
MATERIAL 材料	FINISH 仕上	SIZE	CAGE CODE	DRAWING NO 番号	RESTRICTED TO	
		A300779		G-1903015		
		CUSTOMER DRAWING	SCALE 尺度 4:1	SHEET 4 OF 12	REV S	

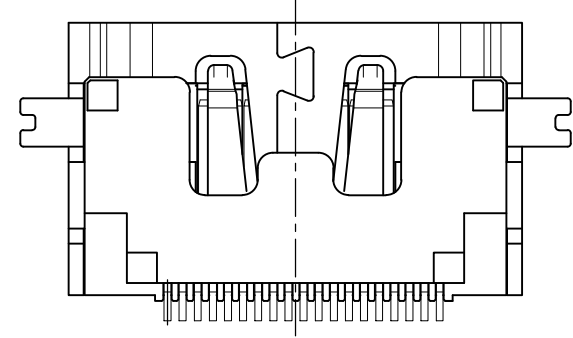
THIS DRAWING IS UNPUBLISHED. RELEASED FOR PUBLICATION SEP , 2005.  
 © COPYRIGHT 2005 By - ALL RIGHTS RESERVED.

LOC	DIST	REVISIONS			
		变更	DATE	DWN	APVD
		P	LTR	DESCRIPTION	
		-	-	SEE SHEET 1	-



CONNECTOR: WITH FLANGE FULL SMT TYPE

BRASS	CONTACT	3
PHOSPHOR BRONZE	SHELL	2
GLASS FILLED LCP UL94V-0, BLACK COLOR	HOUSING	1
MATERIAL	DESCRIPTION	ITEM

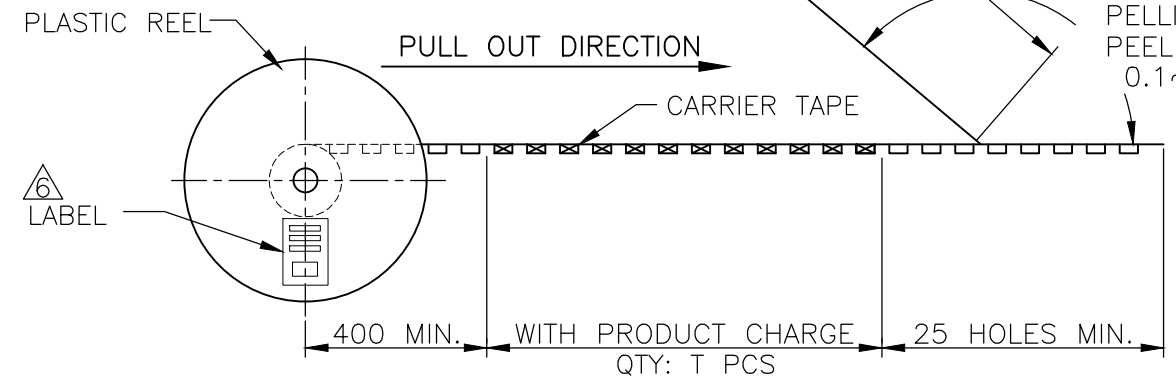
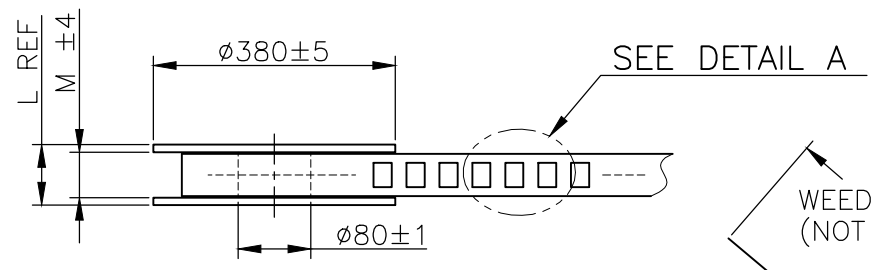
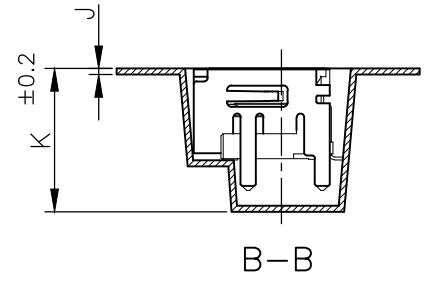
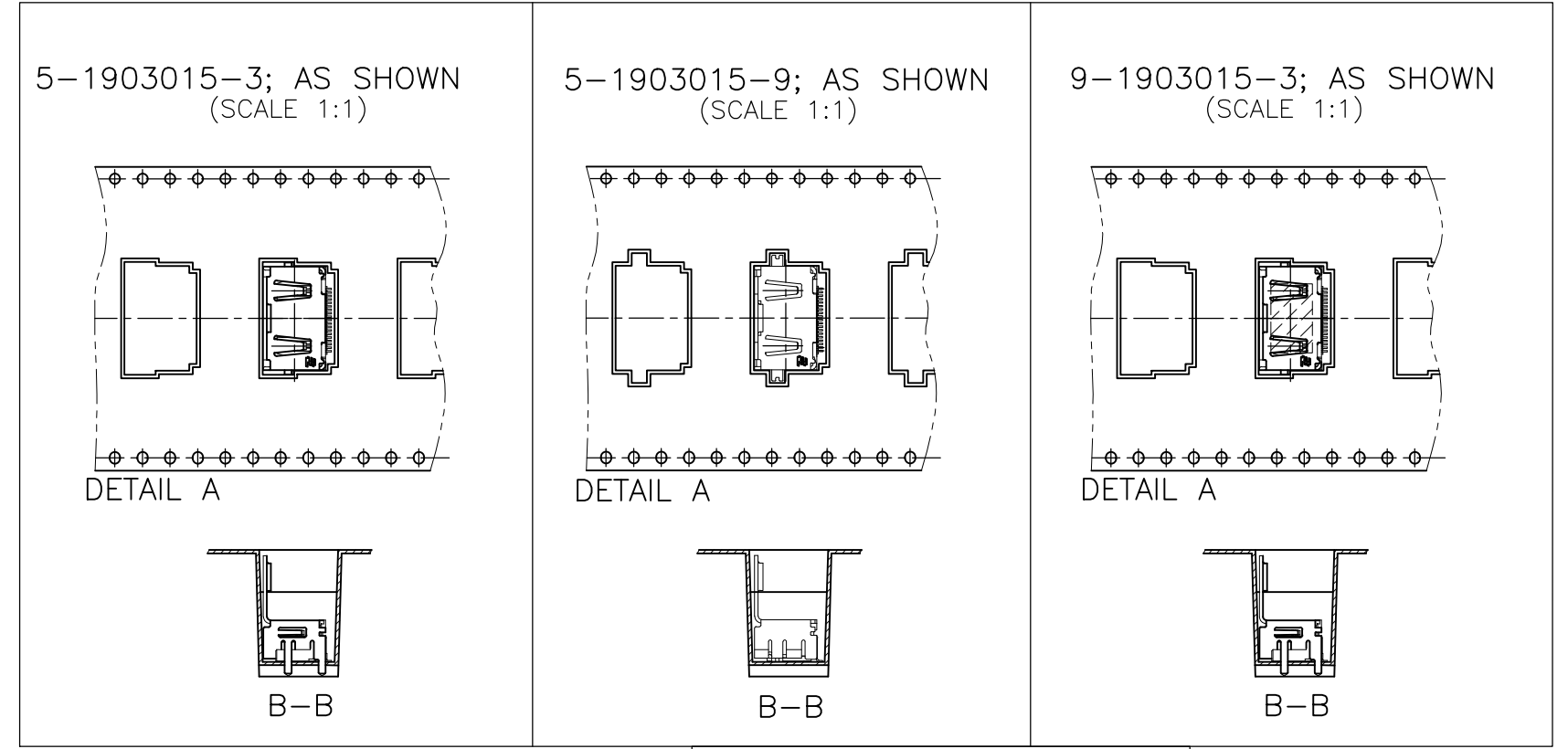
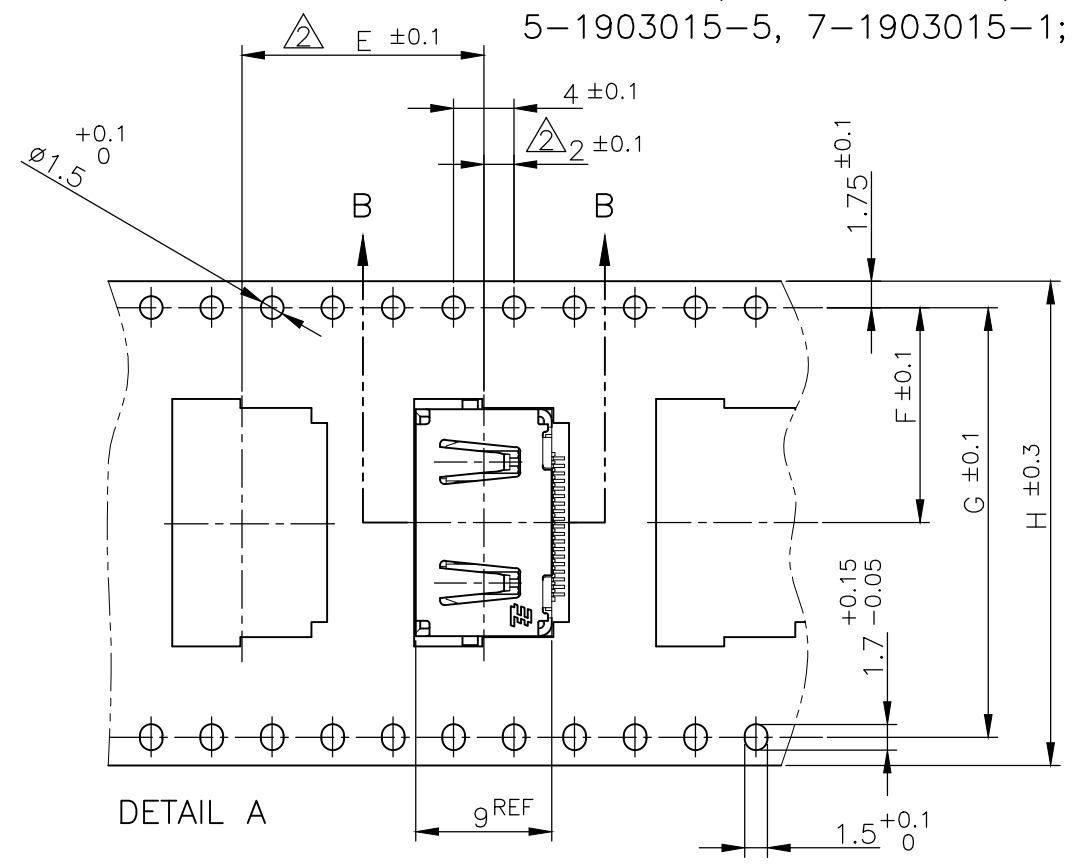


THIS DRAWING IS A CONTROLLED DOCUMENT.		DWN	TE Connectivity NAME 名称 HDMI 19 POS RECEPTACLE ASSY SMT SHORT TYPE					
DIMENSIONS: 单位: 耗 mm		CHK				SIZE	CAGE CODE	DRAWING NO
TOLERANCES UNLESS OTHERWISE SPECIFIED: 一般公差		APVD				A3	00779	G-1903015
0 PLC ± 1 PLC ± 2 PLC ± 3 PLC ± 4 PLC ± ANGLES ±		PRODUCT SPEC 製品規格				RESTRICTED TO		
MATERIAL 材料		FINISH 仕上	CUSTOMER DRAWING					
		WEIGHT	SCALE 尺度 4:1					
			SHEET 5 OF 12					
			REV S					

THIS DRAWING IS UNPUBLISHED. RELEASED FOR PUBLICATION SEP ,2005.  
 © COPYRIGHT 2005 By - ALL RIGHTS RESERVED.

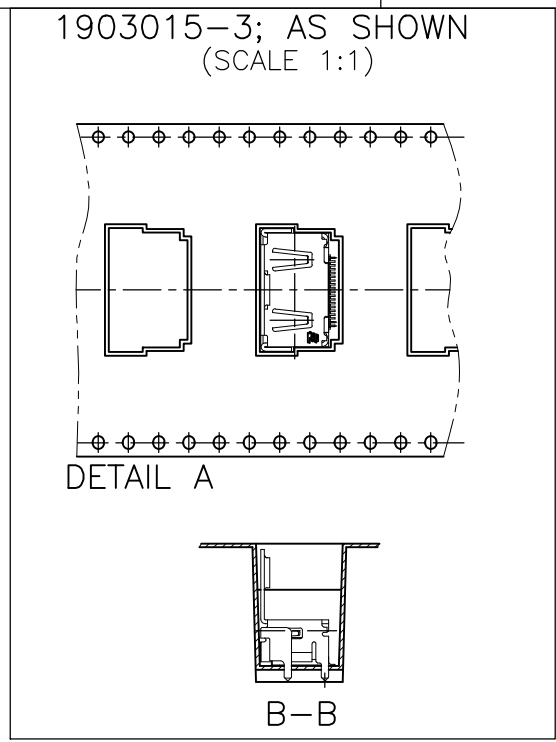
LOC		DIST		REVISIONS		
-		-		变更	DATE	DWN
P	LTR	DESCRIPTION			APVD	
		SEE SHEET 1			-	-

1903015-1, 2-1903015-2, 5-1903015-1  
 5-1903015-5, 7-1903015-1; AS SHOWN



WEEDING THE COVER TAPE: 300 MIN  
 (NOT INCLUDE EMPTINESS POCKET)  
 PELLING ANGLE: 165°~180°  
 PEELING STRENGTH:  
 0.1~0.7N (300mm/min.)

△ LABEL DESCRIPTION  
 TYCO P/N: \*-1903015-\*  
 QTY: \* pcs  
 D/C:  
 MADE IN CHINA



PET	COVER TAPE
PS	CARRIER TAPE
PLASTIC	REEL
MATERIAL	DESCRIPTION

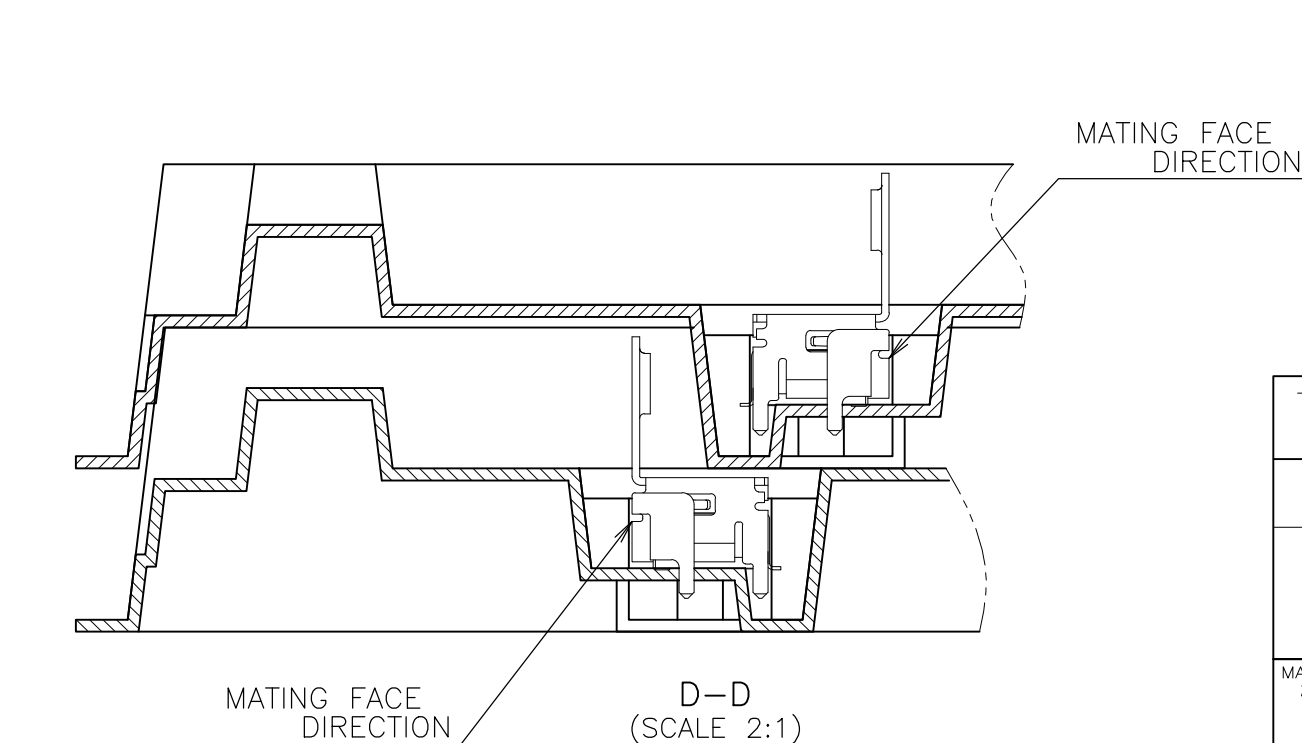
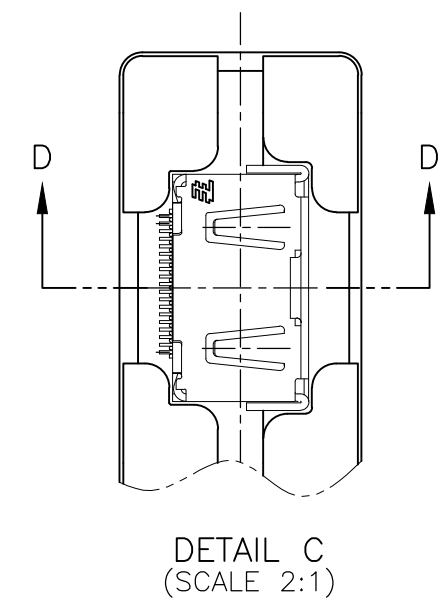
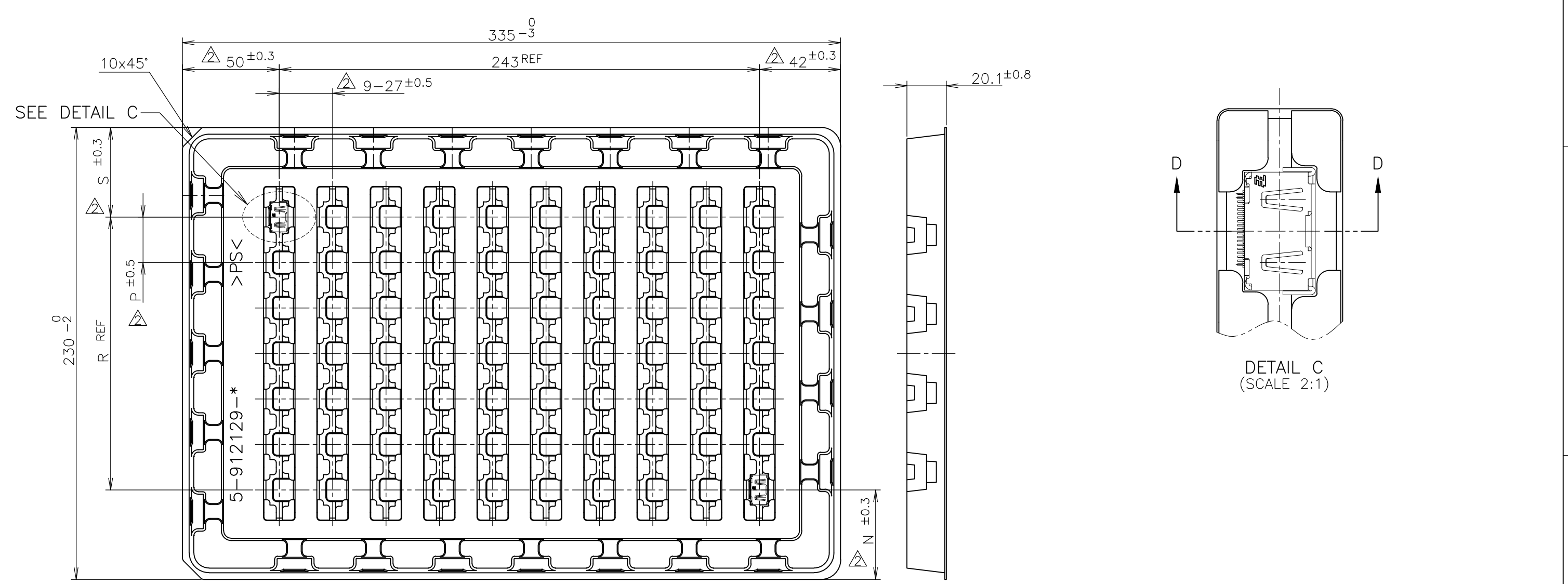
THIS DRAWING IS A CONTROLLED DOCUMENT.		DWN	<b>STE</b> TE Connectivity		
DIMENSIONS: 单位: 耗 mm		CHK			
TOLERANCES UNLESS OTHERWISE SPECIFIED: 一般公差		APVD	NAME 名称		
0 PLC ±		PRODUCT SPEC 製品規格	HDMI 19 POS RECEPTACLE ASSY		
1 PLC ±		APPLICATION SPEC 取付適用規格	SMT SHORT TYPE		
2 PLC ±		WEIGHT	SIZE	CAGE CODE	DRAWING NO 番号
3 PLC ±		CUSTOMER DRAWING	A3	00779	G-1903015
4 PLC ±			SCALE 尺度	4:1	SHEET
ANGLES ±		RESTRICTED TO		REV	S
FINISH 仕上					



THIS DRAWING IS UNPUBLISHED. RELEASED FOR PUBLICATION SEP , 2005.  
 © COPYRIGHT 2005 By - ALL RIGHTS RESERVED.

LOC	DIST	P	LTR	REVISIONS 変更	DATE	DWN	APVD
-	-	-	-	DESCRIPTION	-	-	-
				SEE SHEET 1			

1903015-4; AS SHOWN



THIS DRAWING IS A CONTROLLED DOCUMENT.		DWN	TE Connectivity NAME 名称 HDMI 19 POS RECEPTACLE ASSY SMT SHORT TYPE				
DIMENSIONS: 单位: 耗 mm		CHK					
TOLERANCES UNLESS OTHERWISE SPECIFIED: 一般公差		APVD					
0 PLC ± 1 PLC ± 2 PLC ± 3 PLC ± 4 PLC ± ANGLES ±		PRODUCT SPEC 製品規格					
MATERIAL 材料		WEIGHT	APPLICATION SPEC 取付適用規格	SIZE A3	CAGE CODE 00779	DRAWING NO 番号 C-1903015	RESTRICTED TO
CUSTOMER DRAWING			SCALE 尺度 4:1	SHEET 8 OF 12	REV S		



4

3

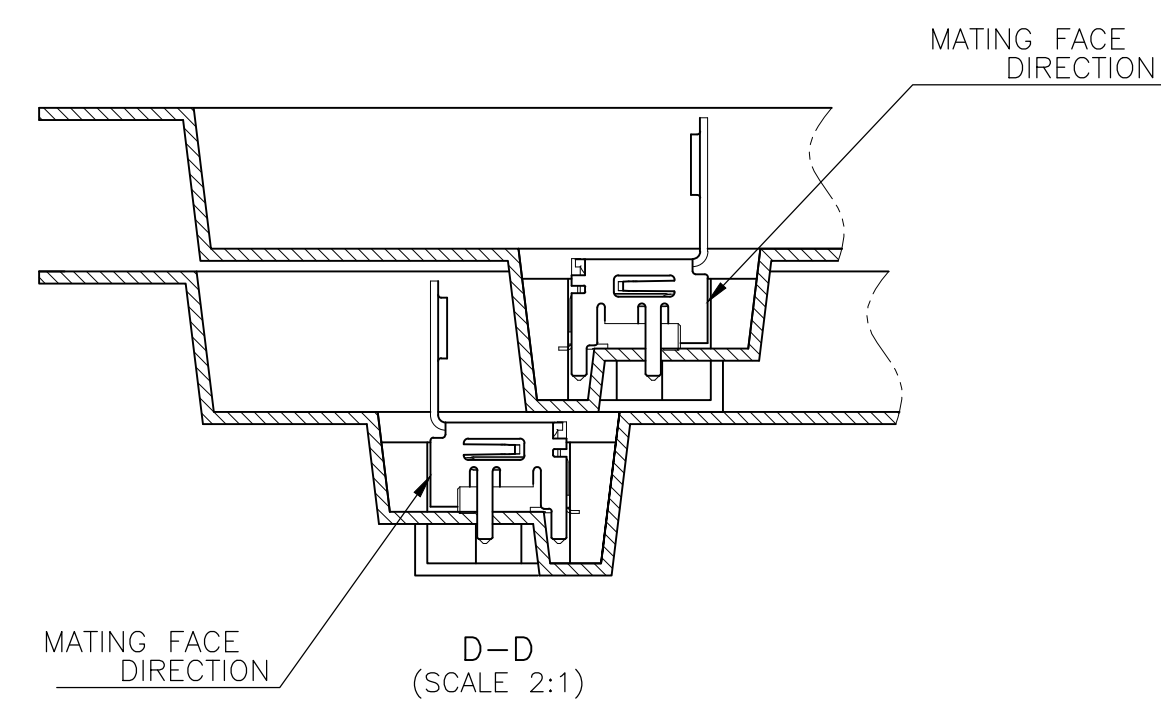
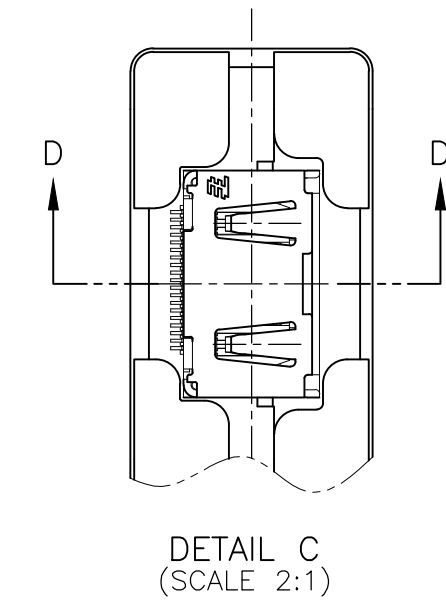
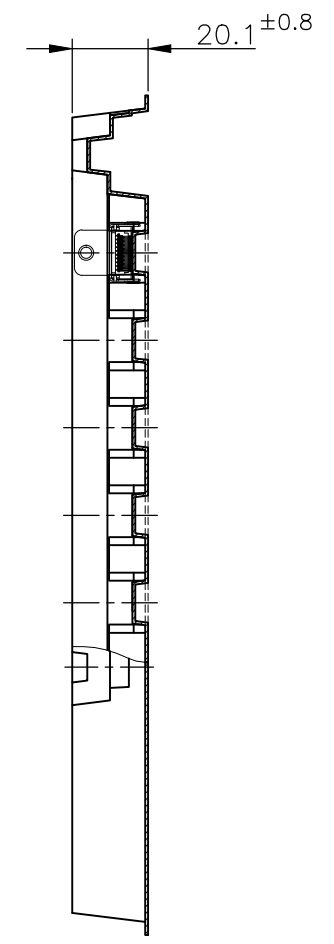
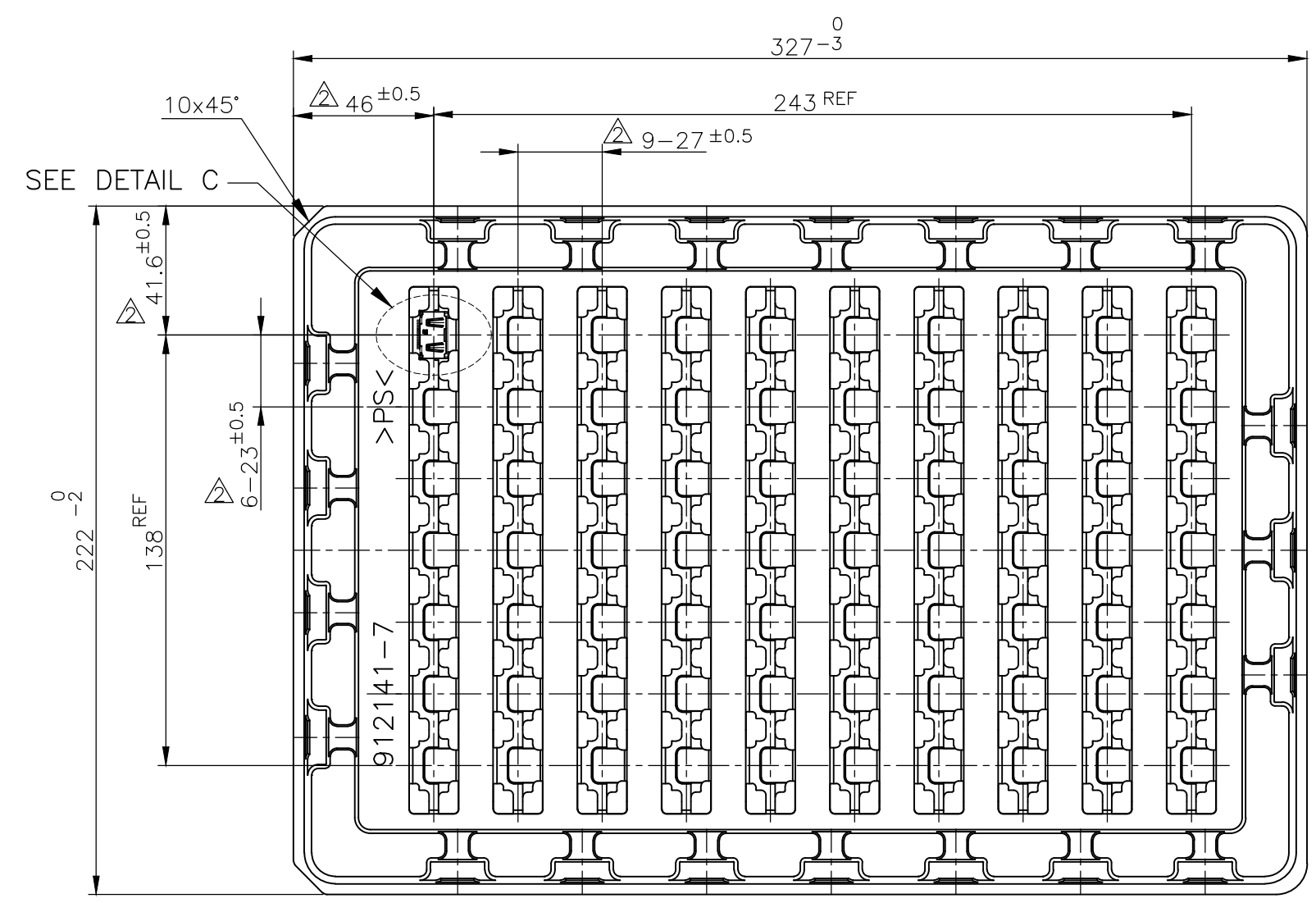
2

1

THIS DRAWING IS UNPUBLISHED. RELEASED FOR PUBLICATION SEP ,2005.  
 © COPYRIGHT 2005 By - ALL RIGHTS RESERVED.

LOC		DIST		REVISIONS			DATE	DWN	APVD
				变更					
P	LTR	DESCRIPTION							
-	-	SEE SHEET 1			-	-	-	-	-

1903015-7, 1903015-8; AS SHOWN

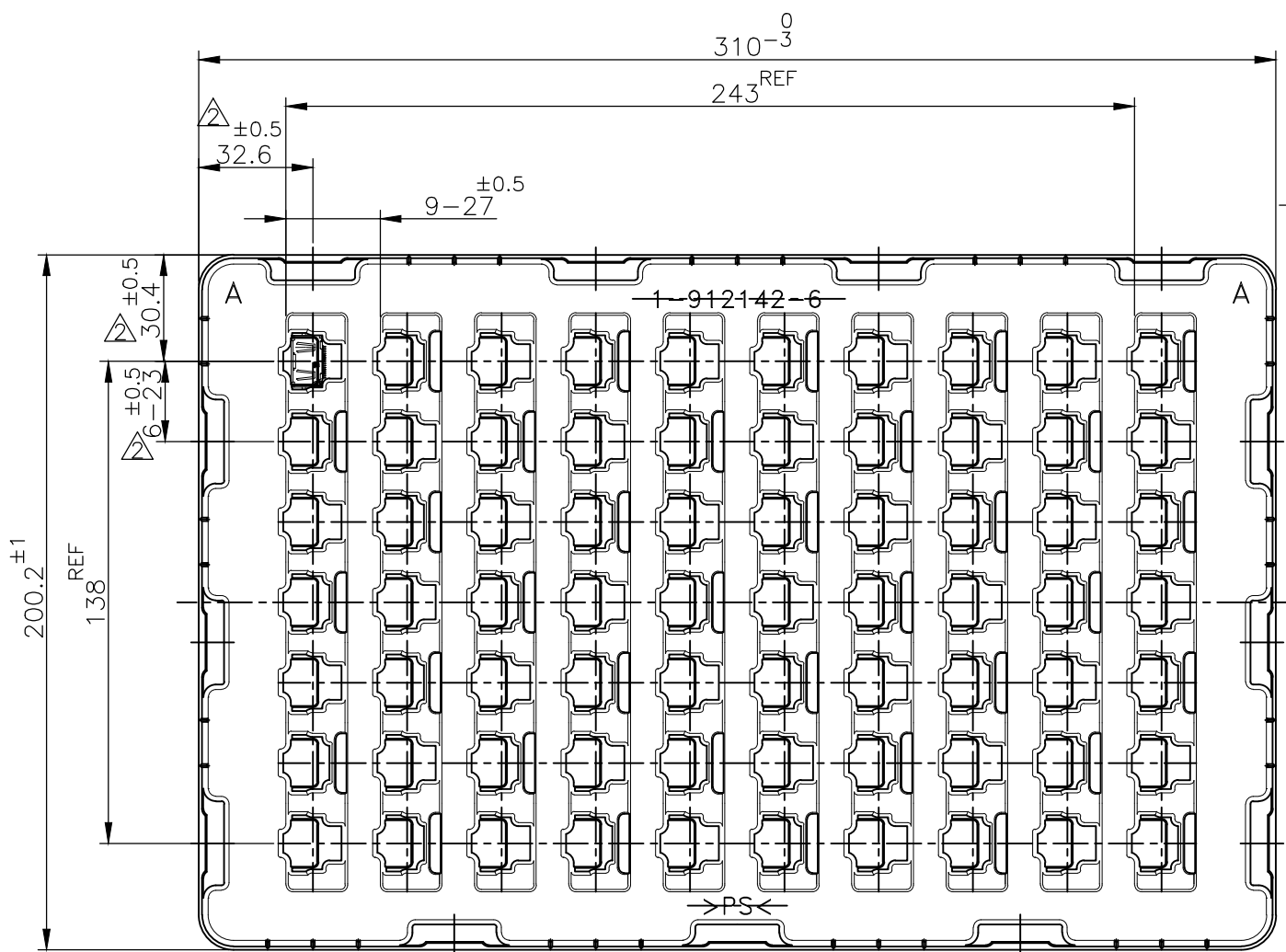


THIS DRAWING IS A CONTROLLED DOCUMENT.		DWN	TE Connectivity NAME 名称 HDMI 19 POS RECEPTACLE ASSY SMT SHORT TYPE			PS		TRAY				
DIMENSIONS: 单位: 耗 mm		CHK				MATERIAL		DESCRIPTION				
TOLERANCES UNLESS OTHERWISE SPECIFIED: 一般公差		APVD				SIZE				CAGE CODE	DRAWING NO	RESTRICTED TO
0 PLC ± 1 PLC ± 2 PLC ± 3 PLC ± 4 PLC ± ANGLES ± FINISH 仕上		PRODUCT SPEC 製品規格				A3		00779	G-1903015			
MATERIAL 材料		APPLICATION SPEC 取付適用規格	WEIGHT		SCALE 尺度 4:1		SHEET 9 OF 12	REV S				
CUSTOMER DRAWING												

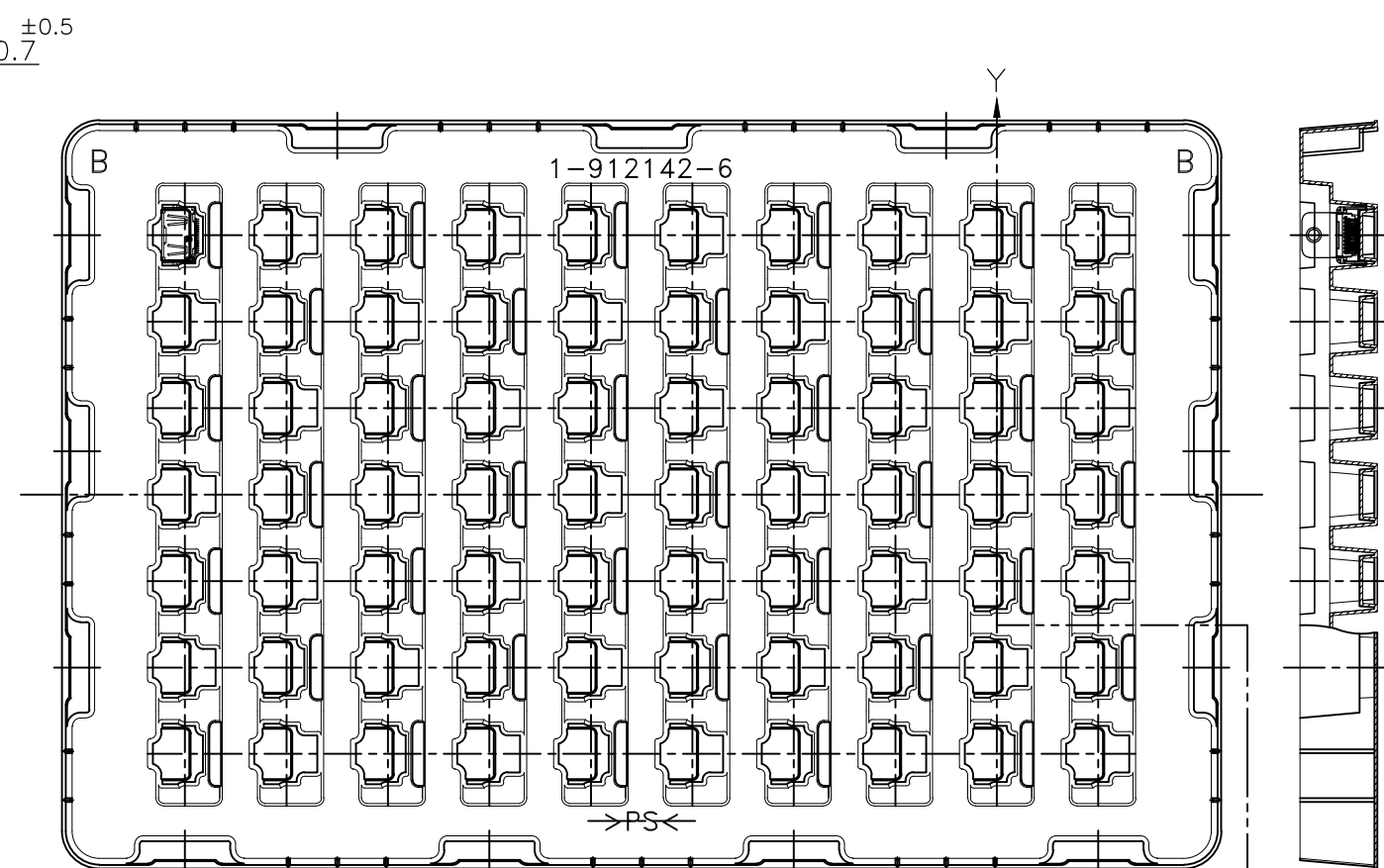
LOC	DIST
-	-

REVISIONS		DATE	DWN	APVD
P	LTR	DESCRIPTION		
-	-	SEE SHEET 1	-	-

8-1903015-4; AS SHOWN

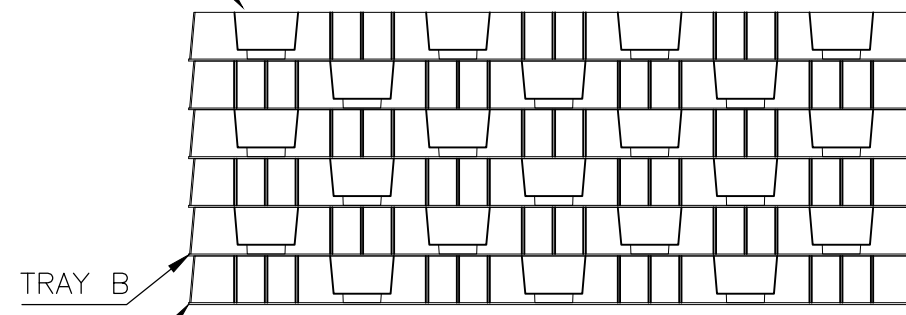


TRAY A



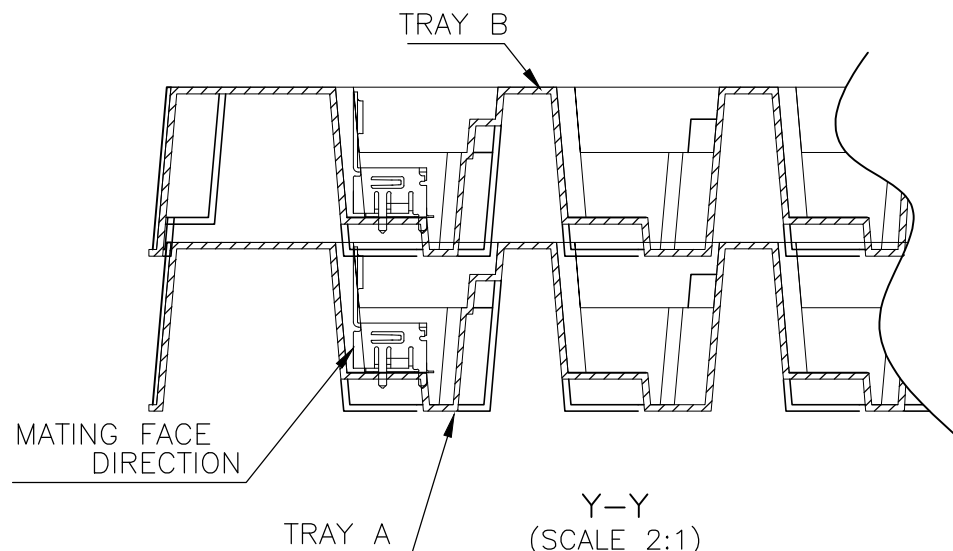
TRAY B

TRAY B (EMPTY)



TRAY B

TRAY A



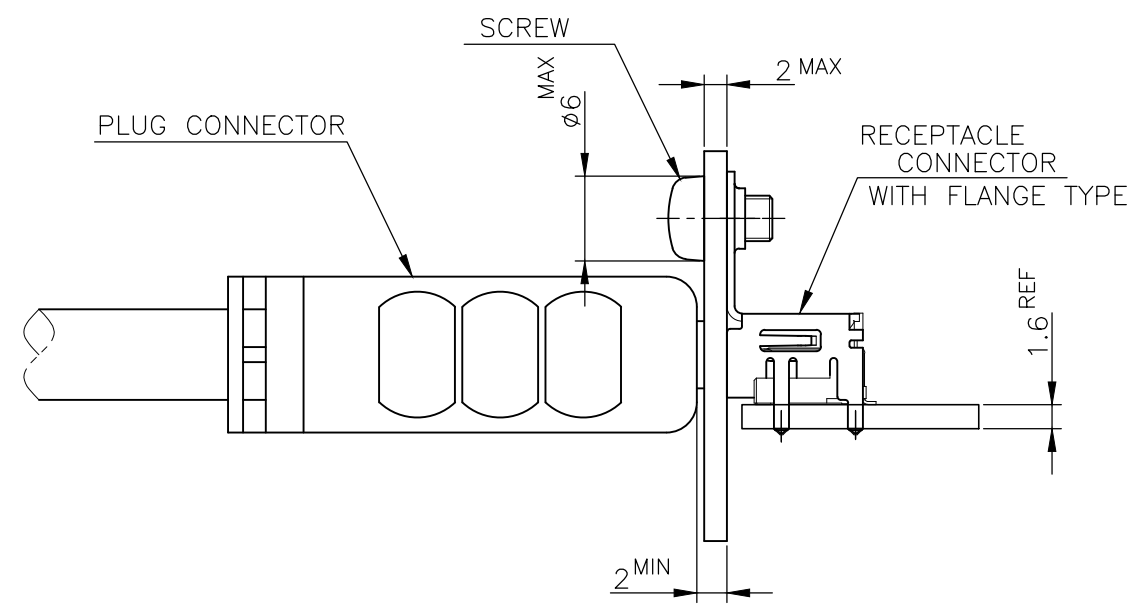
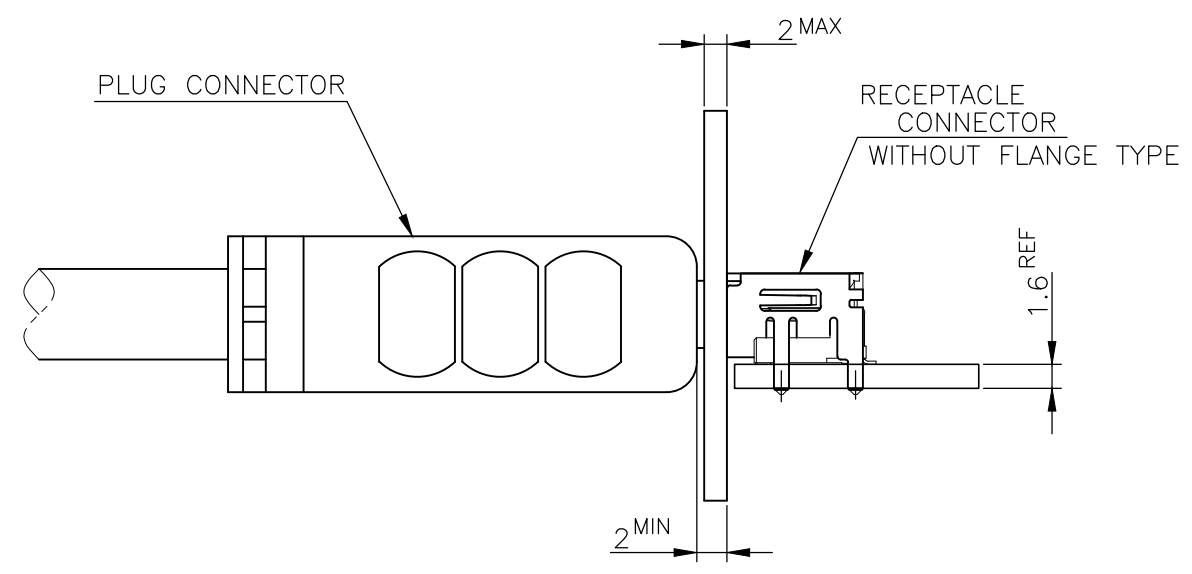
Y-Y (SCALE 2:1)

PS	TRAY
MATERIAL	DESCRIPTION

THIS DRAWING IS A CONTROLLED DOCUMENT.		DWN	<b>STE</b> TE Connectivity	
DIMENSIONS: 單位: 耗 mm		CHK		
TOLERANCES UNLESS OTHERWISE SPECIFIED: 一般公差		APVD	NAME 名称	
0 PLC ±		PRODUCT SPEC 製品規格	HDMI 19 POS RECEPTACLE ASSY	
1 PLC ±		APPLICATION SPEC 取付適用規格	SMT SHORT TYPE	
2 PLC ±		WEIGHT	SIZE	CAGE CODE
3 PLC ±		CUSTOMER DRAWING	A3	00779
4 PLC ±			DRAWING NO 番号	G-1903015
ANGLES ±		SCALE 尺度	4:1	SHEET 10 OF 12
FINISH 仕上		RESTRICTED TO	REV S	

THIS DRAWING IS UNPUBLISHED. RELEASED FOR PUBLICATION SEP , 2005.  
 © COPYRIGHT 2005 By - ALL RIGHTS RESERVED.

LOC		DIST		REVISIONS 変更			DATE	DWN	APVD
P	LTR	DESCRIPTION							
-	-	SEE SHEET 1			-	-	-	-	

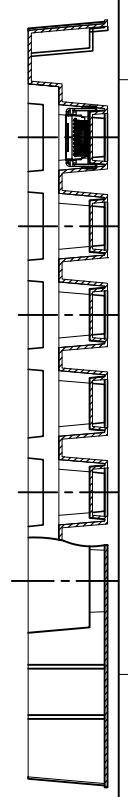
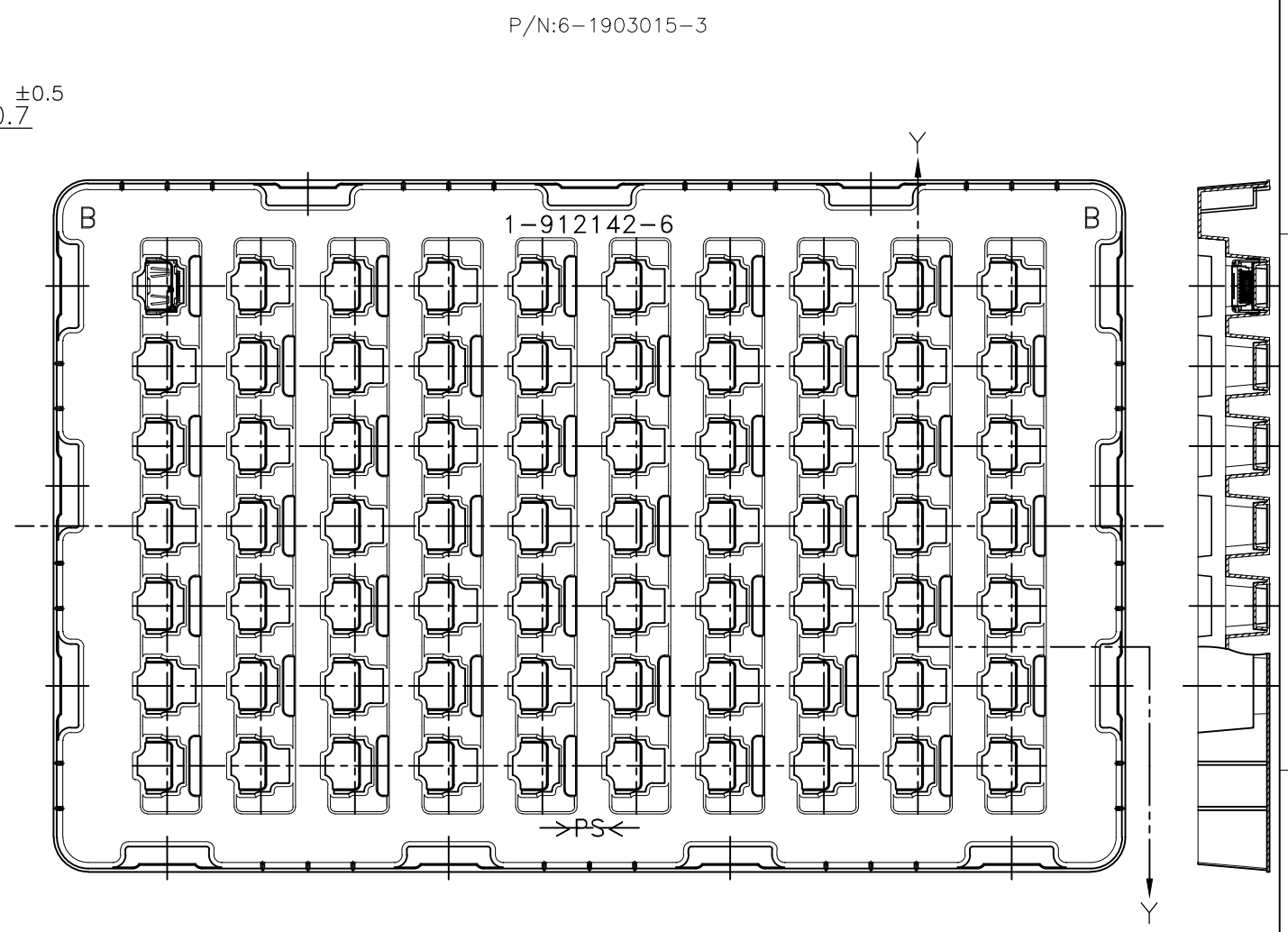
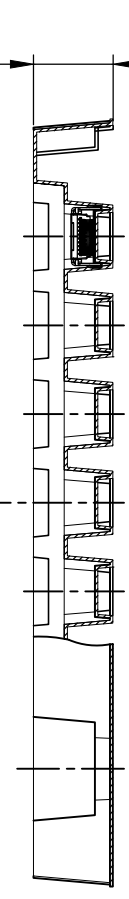
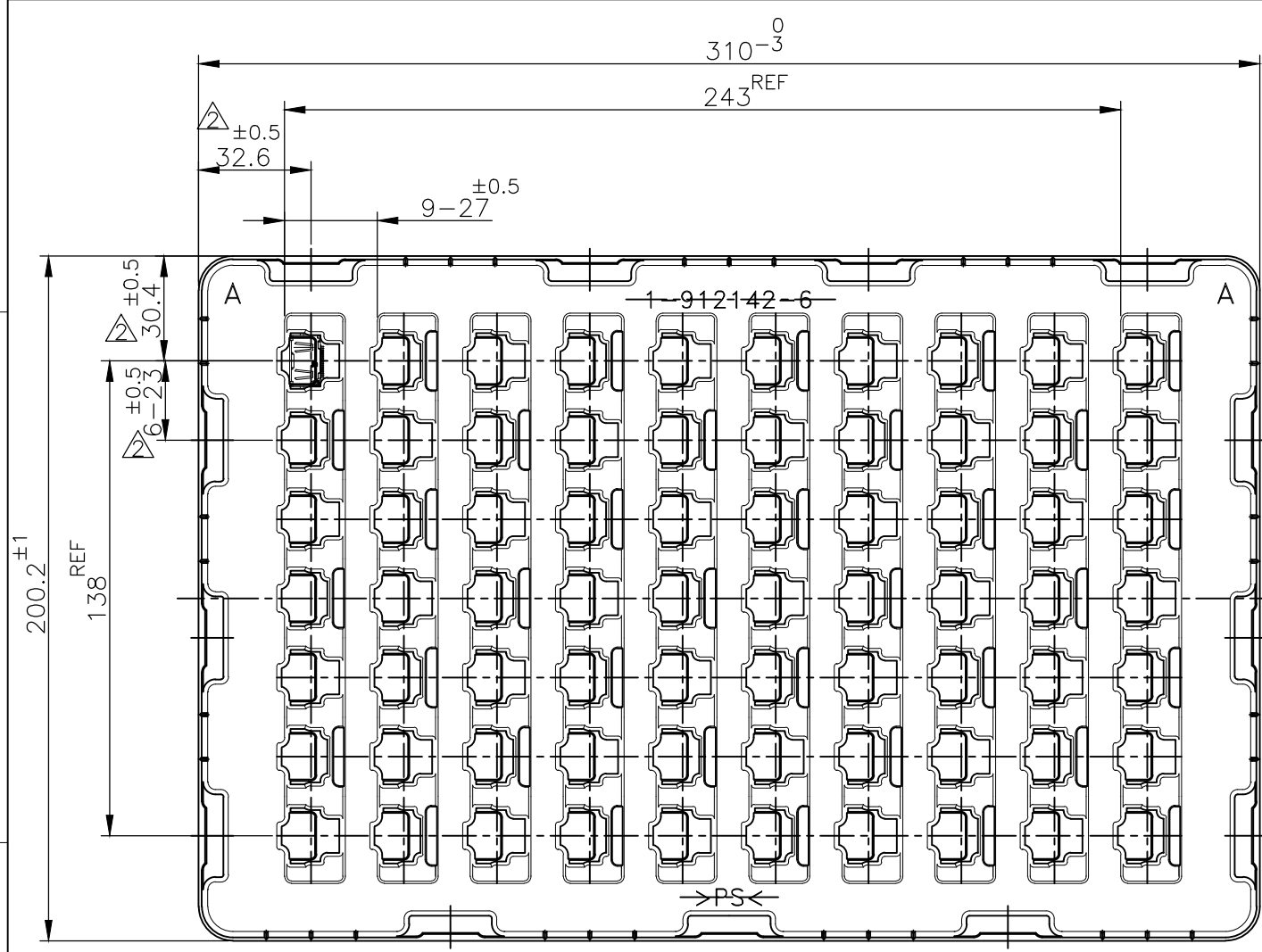


MATING CONDITION (REFERENCE)  
(SCALE 2:1)

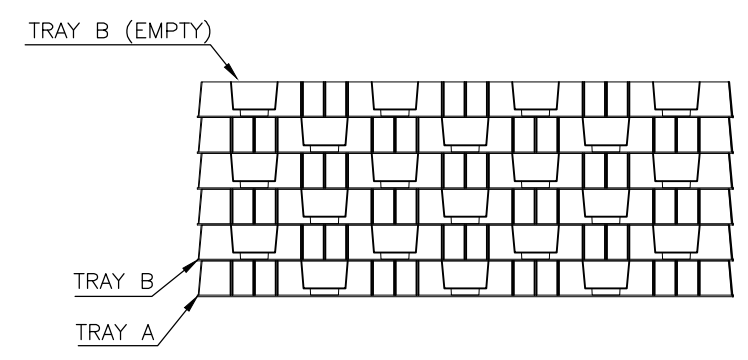
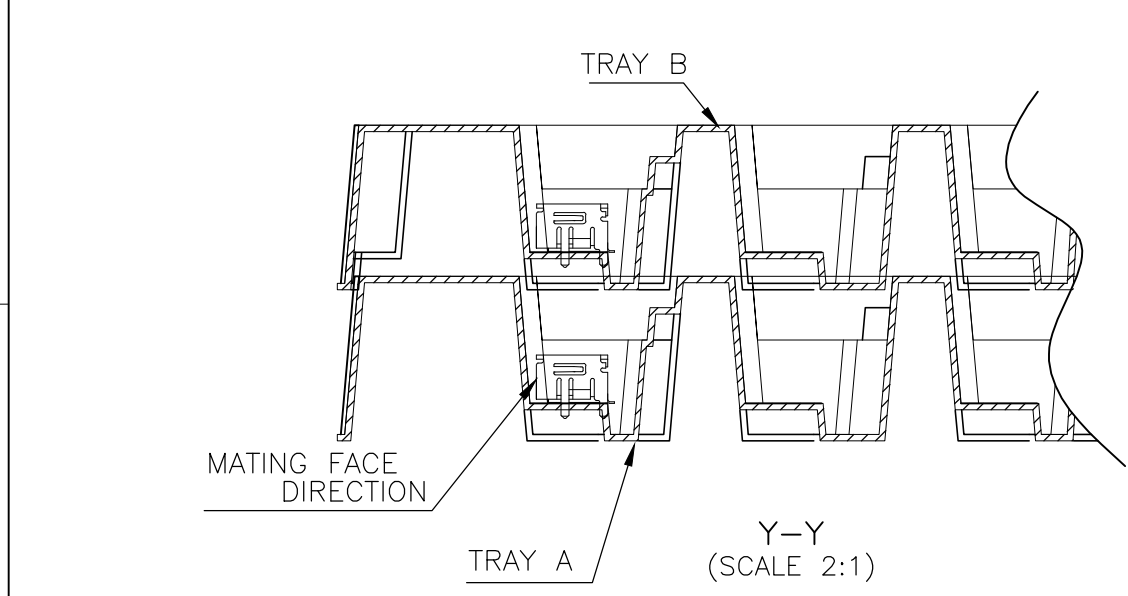
THIS DRAWING IS A CONTROLLED DOCUMENT.		DWN		<b>STE</b> TE Connectivity	
DIMENSIONS: 単位: 耗 mm		CHK			
		APVD		NAME 名称	
		PRODUCT SPEC 製品規格		HDMI 19 POS RECEPTACLE ASSY SMT SHORT TYPE	
MATERIAL 材料		FINISH 仕上		APPLICATION SPEC 取付適用規格	
WEIGHT		SIZE		CAGE CODE	
CUSTOMER DRAWING		A3		00779	
SCALE 尺度		DRAWING NO 番号		RESTRICTED TO	
4:1		G-1903015		-	
SHEET		REV		S	
11 OF 12					

THIS DRAWING IS UNPUBLISHED. RELEASED FOR PUBLICATION SEP, 2005.  
 ALL RIGHTS RESERVED.

LOC	DIST	P	LTR	REV	DATE	DWN	APVD
-	-	-	-	SEE SHEET 1	-	-	-



P/N:6-1903015-3



THIS DRAWING IS A CONTROLLED DOCUMENT.		DWN	TE Connectivity NAME 名称 HDMI 19 POS RECEPTACLE ASSY SMT SHORT TYPE			PS		TRAY			
DIMENSIONS: 单位: 耗 mm		CHK				MATERIAL		DESCRIPTION			
TOLERANCES UNLESS OTHERWISE SPECIFIED: 一般公差		APVD				SIZE		CAGE CODE	DRAWING NO 番号	RESTRICTED TO	
0 PLC ± 1 PLC ± 2 PLC ± 3 PLC ± 4 PLC ± ANGLES ±		PRODUCT SPEC 製品規格				A3		00779	G-1903015	-	
MATERIAL 材料		FINISH 仕上	APPLICATION SPEC 取付適用規格		WEIGHT		SCALE 尺度 4:1		SHEET 12 OF 12	REV S	
CUSTOMER DRAWING											