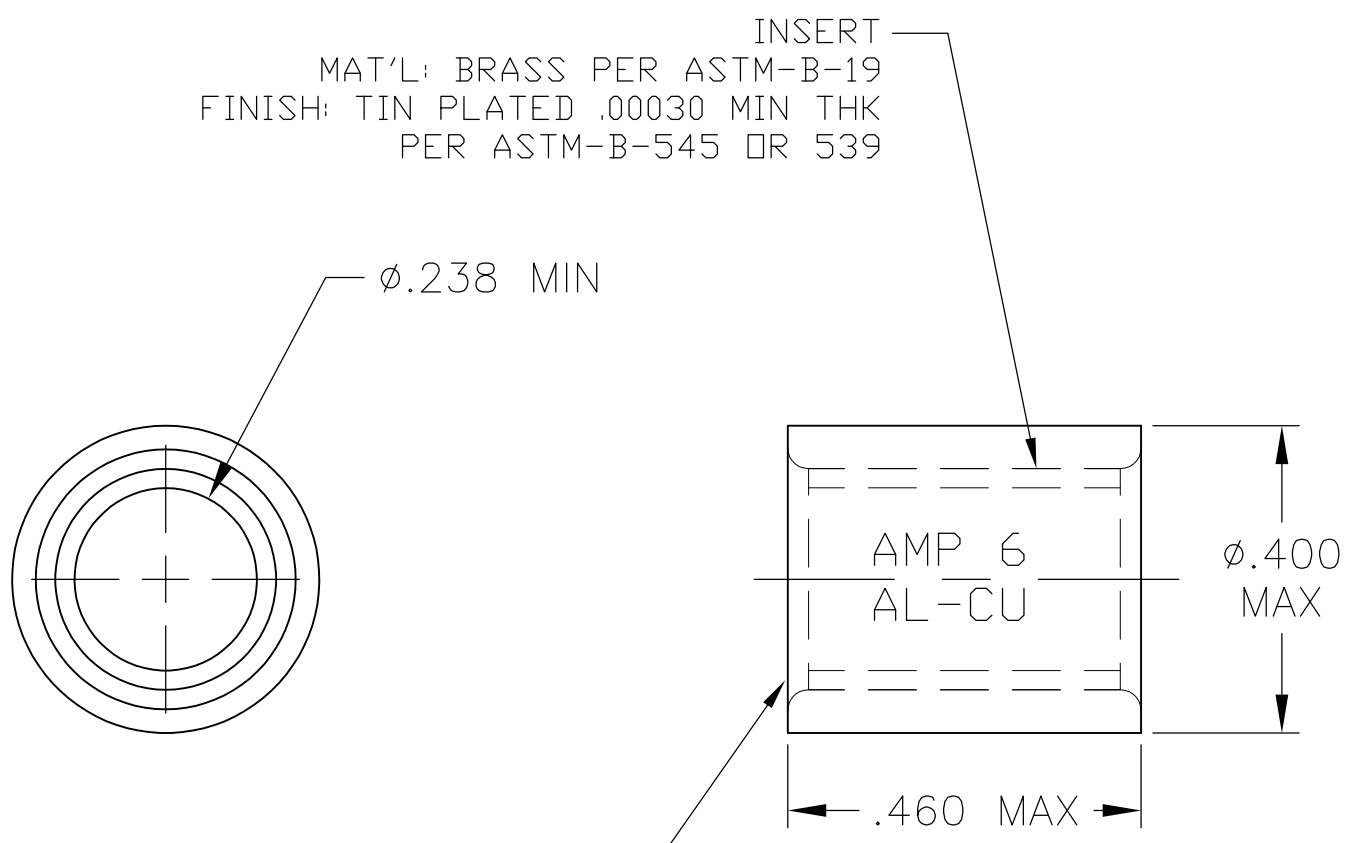


THIS DRAWING IS UNPUBLISHED. RELEASED FOR PUBLICATION  
 © COPYRIGHT BY TYCO ELECTRONICS CORPORATION. ALL INTERNATIONAL RIGHTS RESERVED.

LOC		DIST		REVISIONS			
P	LTR	DESCRIPTION		DATE	DWN	APVD	
	H	REV PER ECO-09-028160		29DEC09	PY	JW	



INSERT  
 MAT'L: BRASS PER ASTM-B-19  
 FINISH: TIN PLATED .00030 MIN THK  
 PER ASTM-B-545 OR 539

Ø.238 MIN

Ø.400  
MAX

.460 MAX

BODY  
 MAT'L: COPPER PER ASTM-B-152  
 FINISH: TIN PLATED  
 PER ASTM-B-545 OR 539

52746  
 PART NUMBER

THIS DRAWING IS A CONTROLLED DOCUMENT.		DWN C.C.THOMAS 9-2-09	Tyco Electronics Corporation Harrisburg, PA 17105-3608		
DIMENSIONS: INCHES		CHK J.WEAVER 9-2-09	NAME SPLICE, PARALLEL, COPALUM, STRANDED/SOLID, WIRE SIZE #6		
TOLERANCES UNLESS OTHERWISE SPECIFIED:		APVD J.WEAVER 9-2-09	PRODUCT SPEC		
0 PLC ± -		APPLICATION SPEC			
1 PLC ± -		SIZE			
2 PLC ± -		CAGE CODE			
3 PLC ± -		DRAWING NO			
4 PLC ± -		RESTRICTED TO			
ANGLES ± -		A3 00779 C-52746			
MATERIAL SEE TABLE		WEIGHT -		SCALE 2:1	
FINISH SEE TABLE		CUSTOMER DRAWING		SHEET 1 OF 1	
				REV H	