

SAFETY ORGANIZATION(S):

THIS MODULE HAS BEEN FORMALLY RECOGNIZED, CERTIFIED OR APPROVED BY THE LISTED AGENCY. THEREFORE, ALL TEST/REQUIREMENTS SPECIFIED IN THE LATEST REVISION OF THE FOLLOWING AGENCY STANDARDS HAVE BEEN MET:

UL RECOGNIZED
 CSA CERTIFIED
 UL 498
 CSA 22.2, NO. 0,0,4,42

OPERATING SPECIFICATIONS:

LINE VOLTAGE/CURRENT: 6 AMP., 120/250 VAC
 LINE FREQUENCY: 50-60Hz
 MAX. LEAKAGE CURRENT, EACH LINE TO GROUND: 2 μ A @ 120VAC 60 Hz
 5 μ A @ 250VAC 50 Hz

OPERATING VOLTAGES:

6VJ1 100, 120, 220, 240 VAC
 6VJ1-2 115, 230 VAC

RELIABILITY SPECIFICATIONS:

STORAGE TEMPERATURE: -40°C TO +85°C
 HUMIDITY: 21 DAYS @ 40°C 95% RH
 CURRENT OVERLOAD TEST: 6 TIMES RATED CURRENT FOR 8 SECONDS

TEST SPECIFICATIONS:

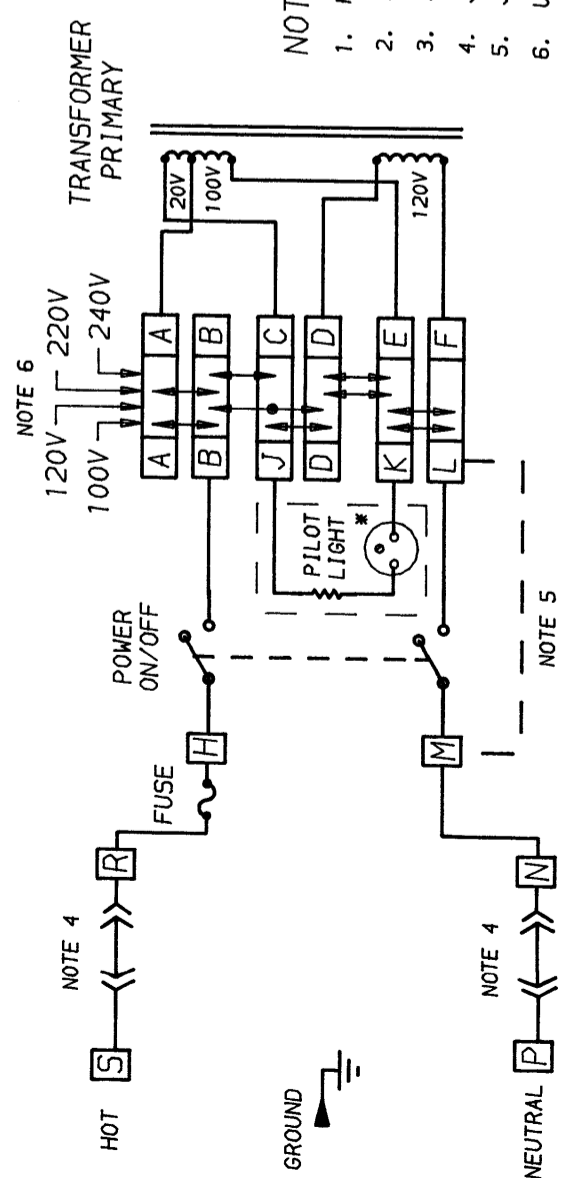
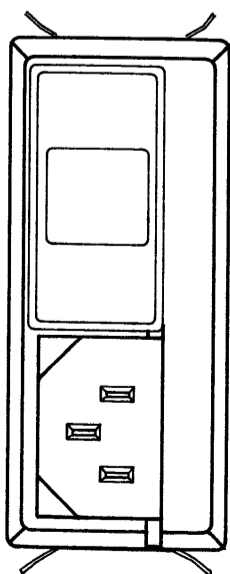
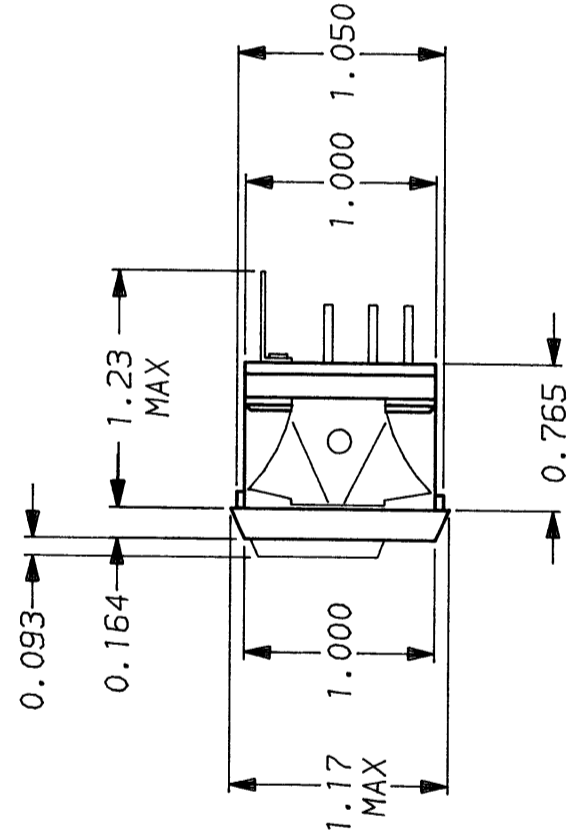
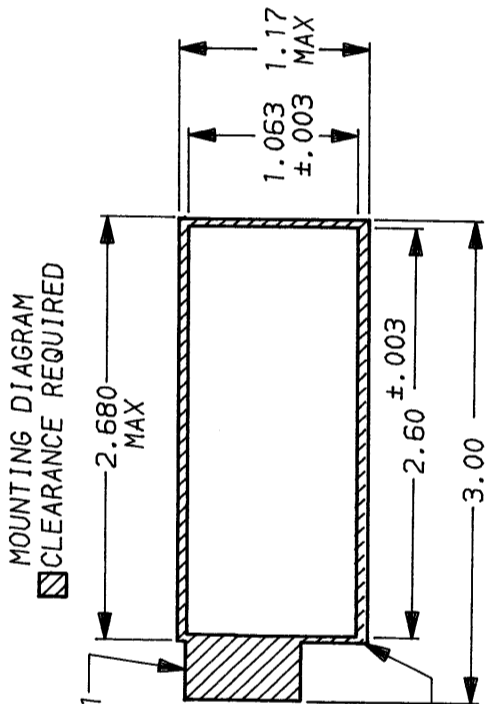
LINE/GROUND AND LINE/LINE INSULATION RESISTANCE: 5000 M Ω (MIN) AT 100 VDC 20°C AND 50% RH

RECOMMENDED RECEIVING INSPECTION HIPOT:

LINES TO GROUND: 2250 VDC FOR 1 MINUTE
 LINE TO LINE: 1450 VDC FOR 1 MINUTE

FILTER APPROVAL:

THE BEST WAY TO SELECT AND QUALIFY A FILTER IS FOR YOUR ENGINEERING TO TEST THE UNIT IN YOUR EQUIPMENT.



NOTES:

1. FUSE COVER DOOR SHOWN IN OPEN POSITION
2. STANDARD UNITS MOUNT IN PANEL THICKNESS OF .060 - .090
3. SPECIAL MOUNTING CLIPS SOLD SEPARATELY FOR PANEL THICKNESSES OF .105 - .125
4. JUMPERS REQUIRED IF NO FILTER IS USED
5. JUMPER REQUIRED IF ONLY SPST POWER SWITCH IS USED.
6. USE ONLY 120V AND 240V POSITIONS FOR 6VJ1-2

* NOT SUPPLIED

This document is proprietary to CORCOM INC. and is not to be reproduced nor used for manufacturing purposes except on CORCOM's order or prior written consent.

TOLERANCE EXCEPT AS NOTED
 DECIMAL: .XXX .XX .X ANGLES
 ENGLISH: ±.015 ± 1°
 METRIC: ±

MATERIAL: AS SUPPLIED

FINISH:



POWER LINE FILTER

SCALE	DATE	DRG. NO.	REV.
NTS	8-10-90	6VJ1 & 6VJ1-2	03
DRW. BY	ORIGINATOR		
CFW	CFW		