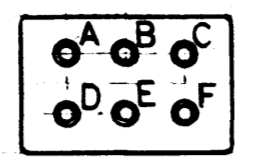
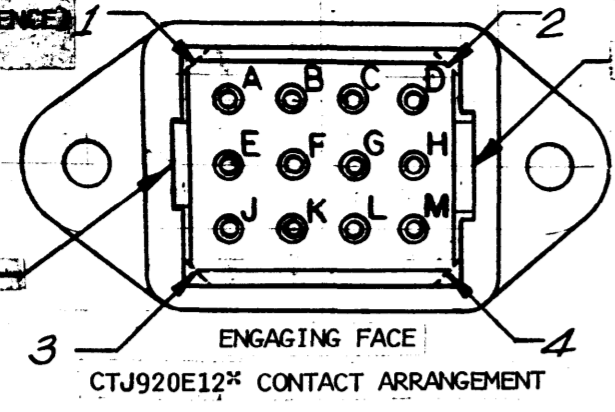
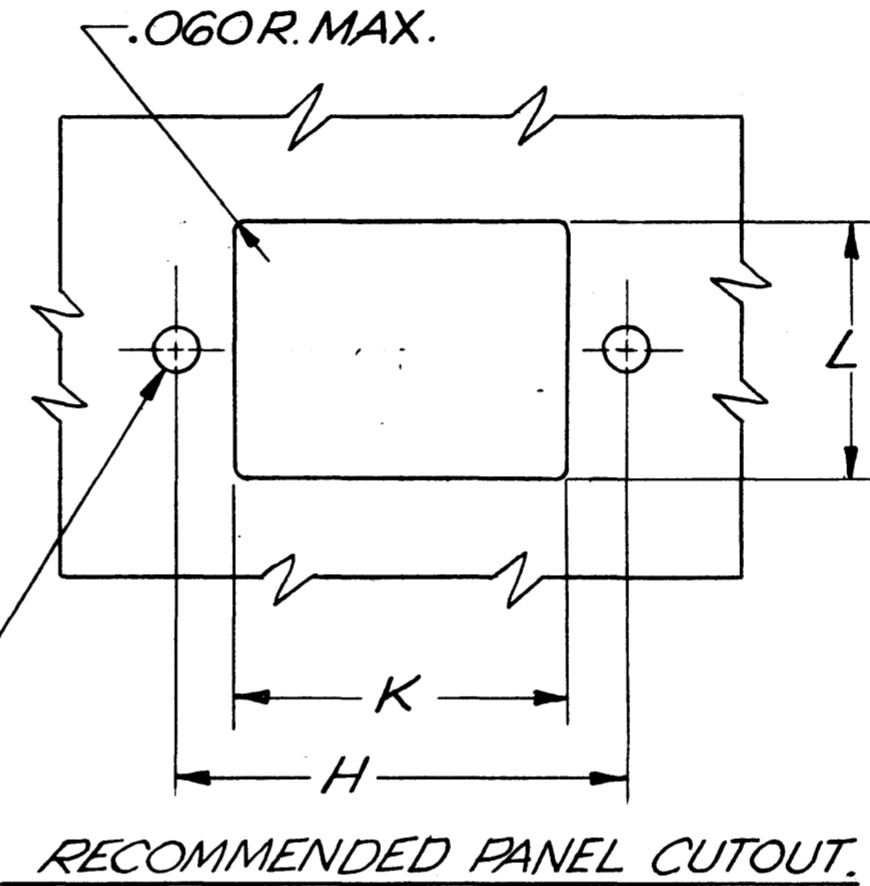
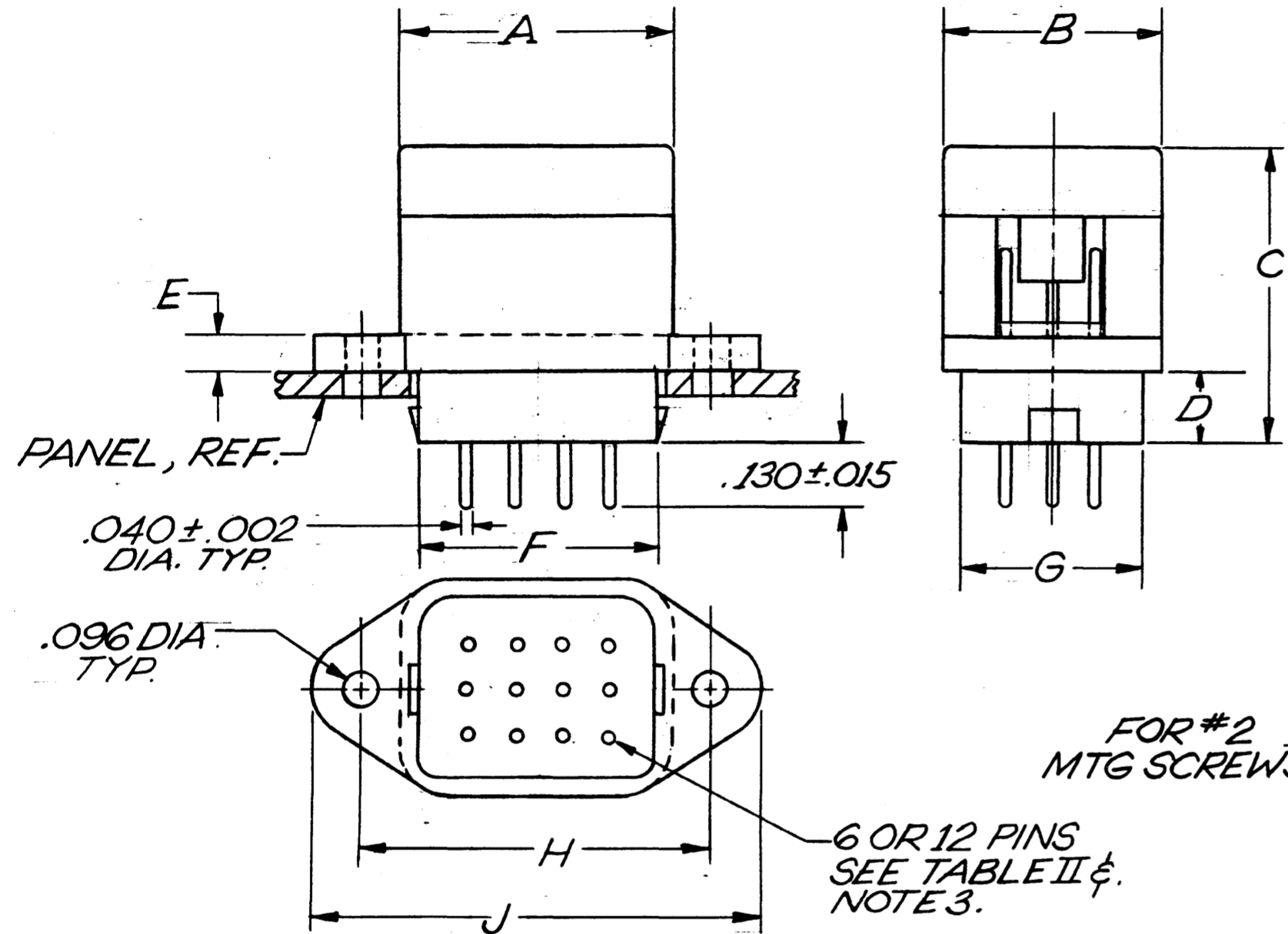


7 6 5 4 ↓ 3 2 1

45° ANGLE (REFERENCE) / SEE TABLE I.



REVISIONS			
SYM	DESCRIPTION	DATE	APPROVED
A	REVISED & REDRAWN. E.O. 81099	2-4-76	JDM
B	REVISED PER E.O. 82118.	5-10-76	Ran. H.
C	REVISED PER E.O. 81911.	7-19-76	JDM
D	REVISED PER E.O. 82263	7-7-78	Vb



REV D CTJ920E***

7. EXPLANATION OF PART NUMBER: CTJ 9 20 E *** **

BASIC IDENTIFIER — CTJ
 RECEPTACLE MODULE — 9
 CONTACT SIZE (20) — 20
 ENVIRONMENTAL — E
 NUMBER OF CONTACTS — *** **

KEYING POSITION PROVIDED WITH 2 45° CORNERS (REF DASHED LINES) AT INDICATED LOCATIONS ON ENGAGING FACE VIEW AND TABLE I.

N STANDARD
 1 THRU 3, ALTERNATE (CONSULT FACTORY)

06 = 6
 12 = 12

TABLE II.

PART N ^o	NUMBER OF CONTACTS:	A ± .030	B ± .030	C ± .030	D ± .010	E ± .010	F	G	H	J ± .030	K	L
CTJ920E06*	6	.650	.470	.750	.200	.100	.550	.360	.880	1.100	.600	.380
CTJ920E12*	12	.770	.620	.750	.200	.100	.670	.510	1.000	1.300	.740	.530

TABLE I

KEYING POSITION	45° ANGLE LOCATIONS
N	1 & 2
1	3 & 4
2	1 & 3
3	2 & 4

6. MODULE UNMATING TOOL, PART NUMBER CTJ-R00, TO BE ORDERED SEPARATELY.

5. MODULES MEET APPLICABLE PERFORMANCE REQUIREMENTS OF MIL-C-83723, REV B, EXCEPT AS FOLLOWS:
 CONTACT ENGAGING & SEPARATION FORCES (INITIAL):
 18 OZ MAX/.7 OZ. MIN.

#20 SOCKET CONTACT RETENTION FORCES: 15 LBS. MIN. (AXIAL)
 USABLE WIRE SIZE: AWG 20 THRU 24.
 GROMMET WILL SEAL ON SMOOTH INSULATION FROM .040 TO .083" O.D.
 MODULE MATING FORCE: 6 CONTACT - 19 LBS. MAX., 12 CONTACT - 26 LBS. MAX.

4. MATERIAL: HOUSING: PLASTIC, GASKET: SILICONE ELASTOMER, CONTACTS: COPPER ALLOY, COVER: COPPER ALLOY.

3. CONTACT CENTER TO CENTER SPACING .130

2. DIMENSIONS ARE SPECIFIED IN INCHES.

1. MATES WITH MODULE, PLUG, DEUTSCH PART NUMBER CTJ620E****.

NOTE:

TOLERANCES UNLESS OTHERWISE SPECIFIED DECIMALS: .XXX ± .005 ANGLES: ± 0° 30' 0" TIR .010 PARTS TO BE FREE OF BURRS AND SHARP EDGES	SIGNATURE & DATE		MODULE ASSEMBLY RECEPTACLE COMPLETE TERMINATION JUNCTION 6 & 12 PINS ENVELOPE	CP	MATL CODE
	DR	<i>Ran. von Heusinger 2-4-76</i>		The Deutsch Company ELECTRONIC COMPONENTS DIVISION Municipal Airport Banning, California	
	CHK	<i>Ran. von Heusinger 2-4-76</i>		C	CTJ920E***
	PE	<i>J. MAC DONALD 2-4-76</i>			
MATERIAL	SEE NOTE 4.		APPD	SCALE	WT

7 6 5 4 ↑ 3 2 1