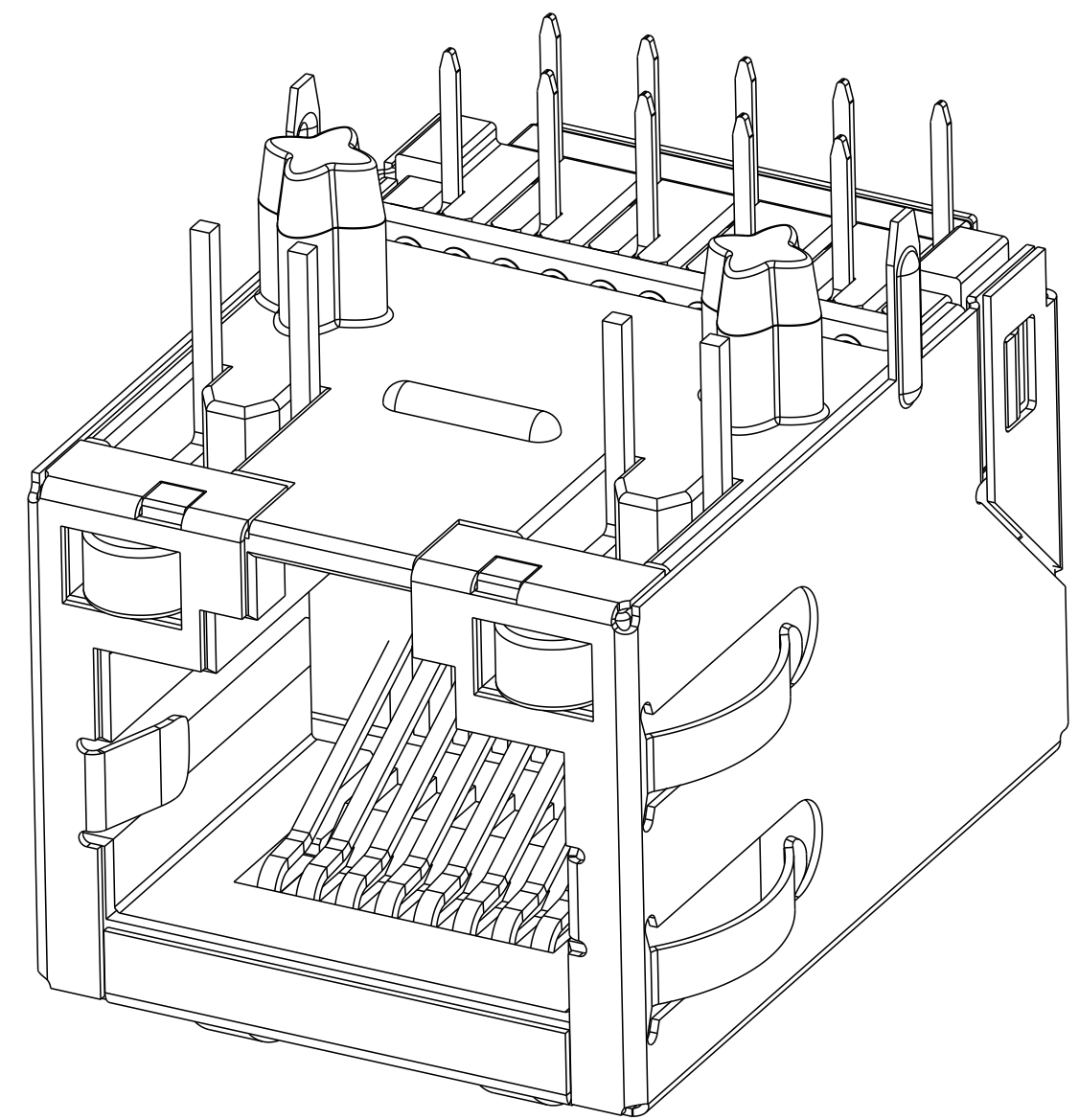
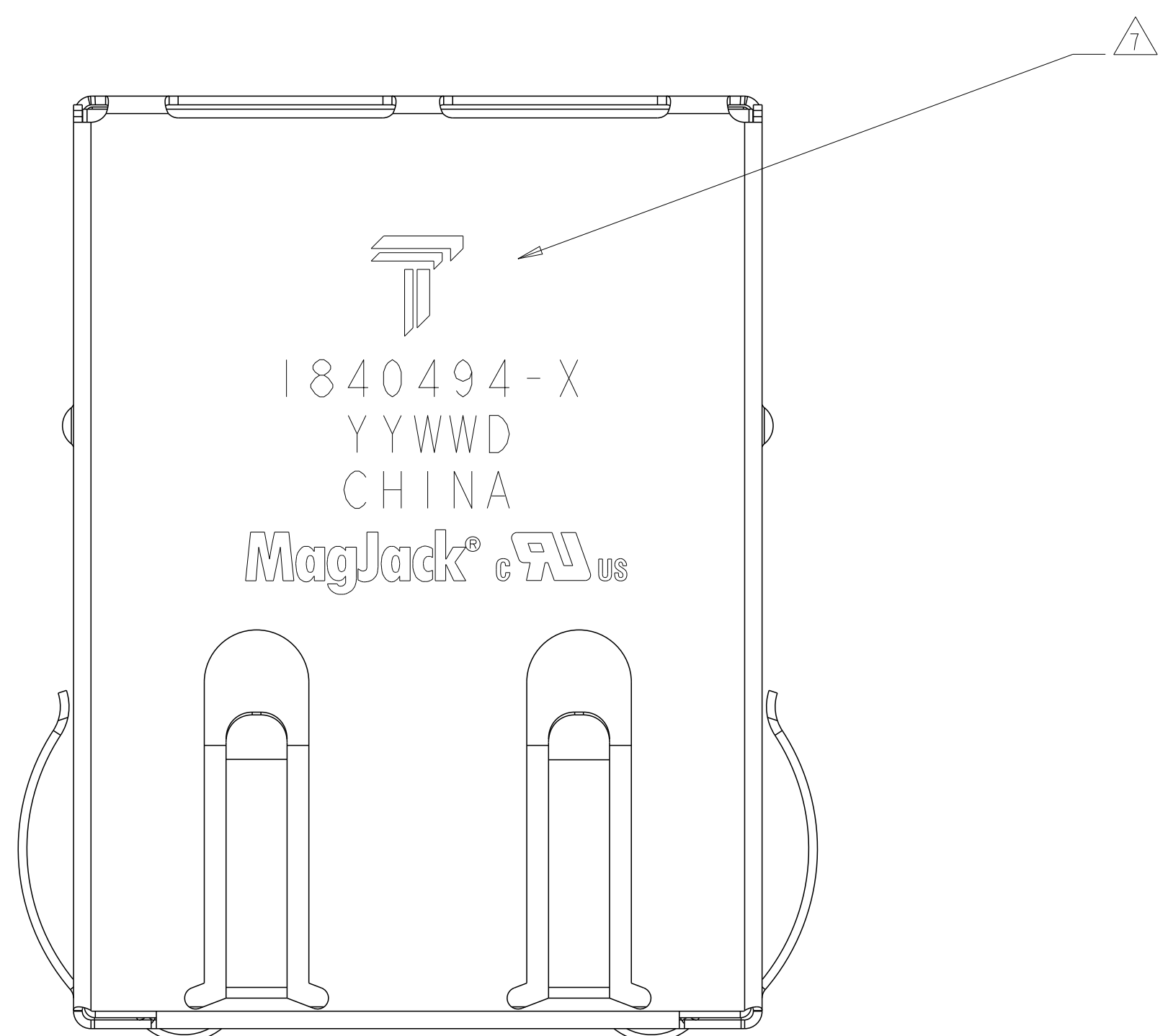


THIS DRAWING AND THE SUBJECT MATTER SHOWN THEREON ARE CONFIDENTIAL AND THE PROPERTY OF BEL/STEWART/TRP CONNECTOR AND SHALL NOT BE REPRODUCED, COPIED, OR USED IN ANY MANNER WITHOUT THE WRITTEN CONSENT OF TRP CONNECTOR.

PRODUCT MAY BE PROTECTED BY ONE OR MORE OF THE FOLLOWING US PATENTS:
 5736910 5939955 6425781 6428361 6554638 6840817 7123117
 7429195 7717749 7808751 6217391 6149050 7924130

REVISIONS				
P	LTN	DESCRIPTION	DATE	APPV
4		EC-1411035 COMPANY LOGO CHANGE	07JAN2015	RL TY



SCALE 6:1

1. MATERIALS
- HOUSING: THERMOPLASTIC, FLAMMABILITY RATING UL 94V-0.
 - SHIELD: BRASS C26800 0.20mm THICK, PREPLATED WITH 0.76um MIN SEMI-BRIGHT NICKEL. SOLDER TABS POST DIPPED WITH 2.54um MIN SAC SOLDER.
 - CONTACTS: PHOSPHOR BRONZE 0.46mm X 0.30mm, 1.27um MIN OVERALL NICKEL UNDERPLATE, WITH SELECTIVE 1.27um MIN HARD GOLD FINISH PLATE.
 - SOLDER TAILS: 0.25mmTHICK, PHOSPHOR BRONZE, 1.27um MIN OVERALL NICKEL UNDERPLATE, 3um TIN PLATE

2. RJ45 JACK CAVITY CONFORMS TO FCC RULES AND REGULATIONS PART 68 SUB PART F.

3. MAGNETICS
- APPLICATION: 10/100/1000 BASE-T
 - IMPEDANCE: 100 OHMS
 - TURNS RATIO (CHIP:CABLE): 1:1 ALL FOUR PAIRS
 - OPEN CIRCUIT INDUCTANCE (OCL): 350uH MIN. @100kHz, 0.1VRMS, 8mADC BIAS FROM 0°C TO 70°C, ALL FOUR PAIRS
 - ALL FOUR PAIRS BI-DIRECTIONAL
 - PERFORMANCE @ 25°C:
 - INSERTION LOSS (IL): 1.1dB MAX. FROM 0.5MHz TO 100MHz
 - RETURN LOSS (RL): 18dB MIN FROM 0.5MHz TO 40MHz
 - 12-20LOG(f/80)dB MIN. FROM 40.1MHz TO 100MHz
 - CROSSTALK ATTENUATION: 35dB MIN. FROM 0.5MHz TO 40MHz
 - 33-20LOG(f/50)dB MIN. FROM 40.1MHz TO 100MHz
 - COMMON MODE REJECTION RATIO (CMRR): 30dB MIN. FROM 0.5MHz TO 100MHz
 - ISOLATION VOLTAGE: 2250VDC FOR 60 SECONDS WITH A RISE TIME OF 500 V/SEC

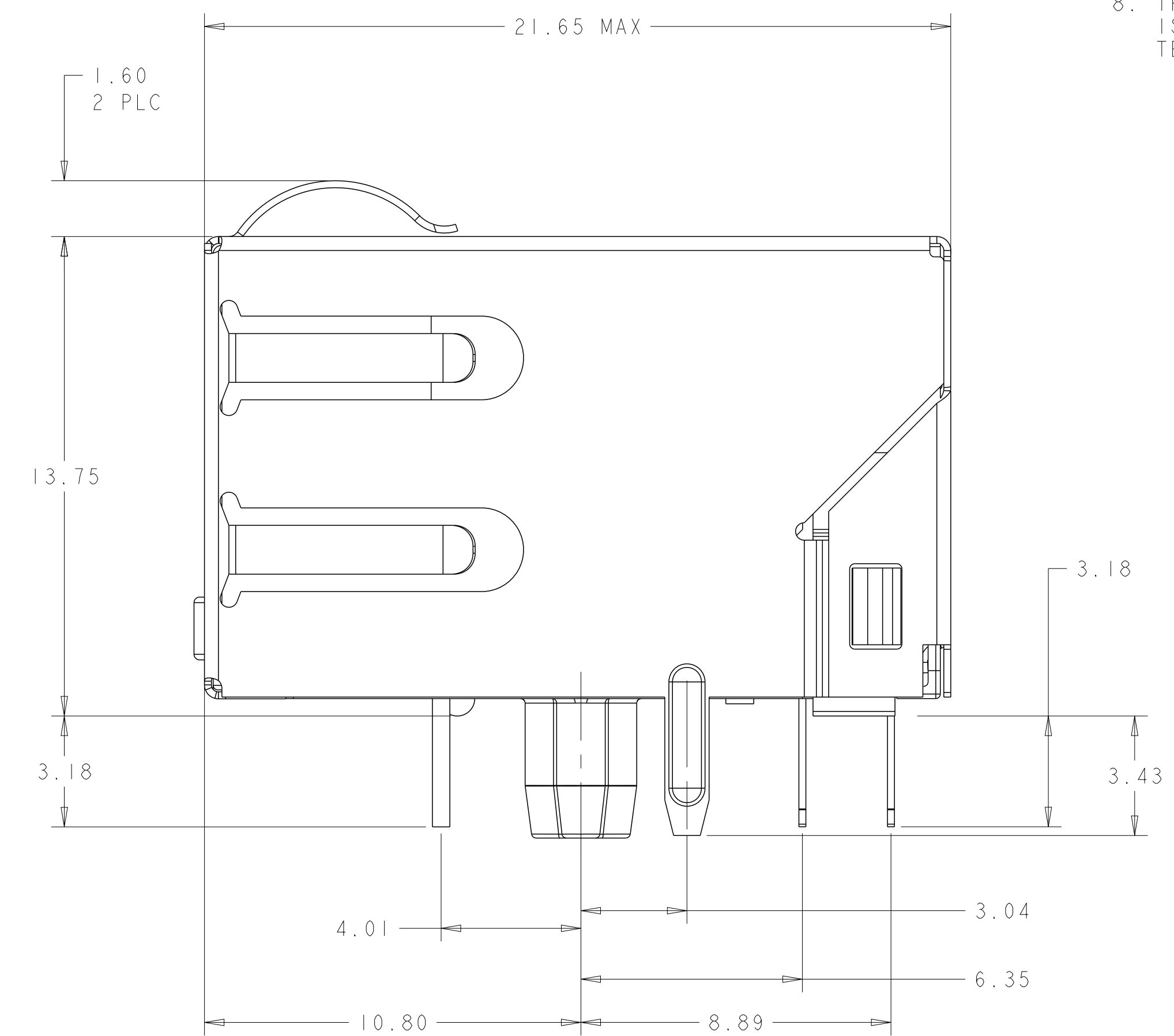
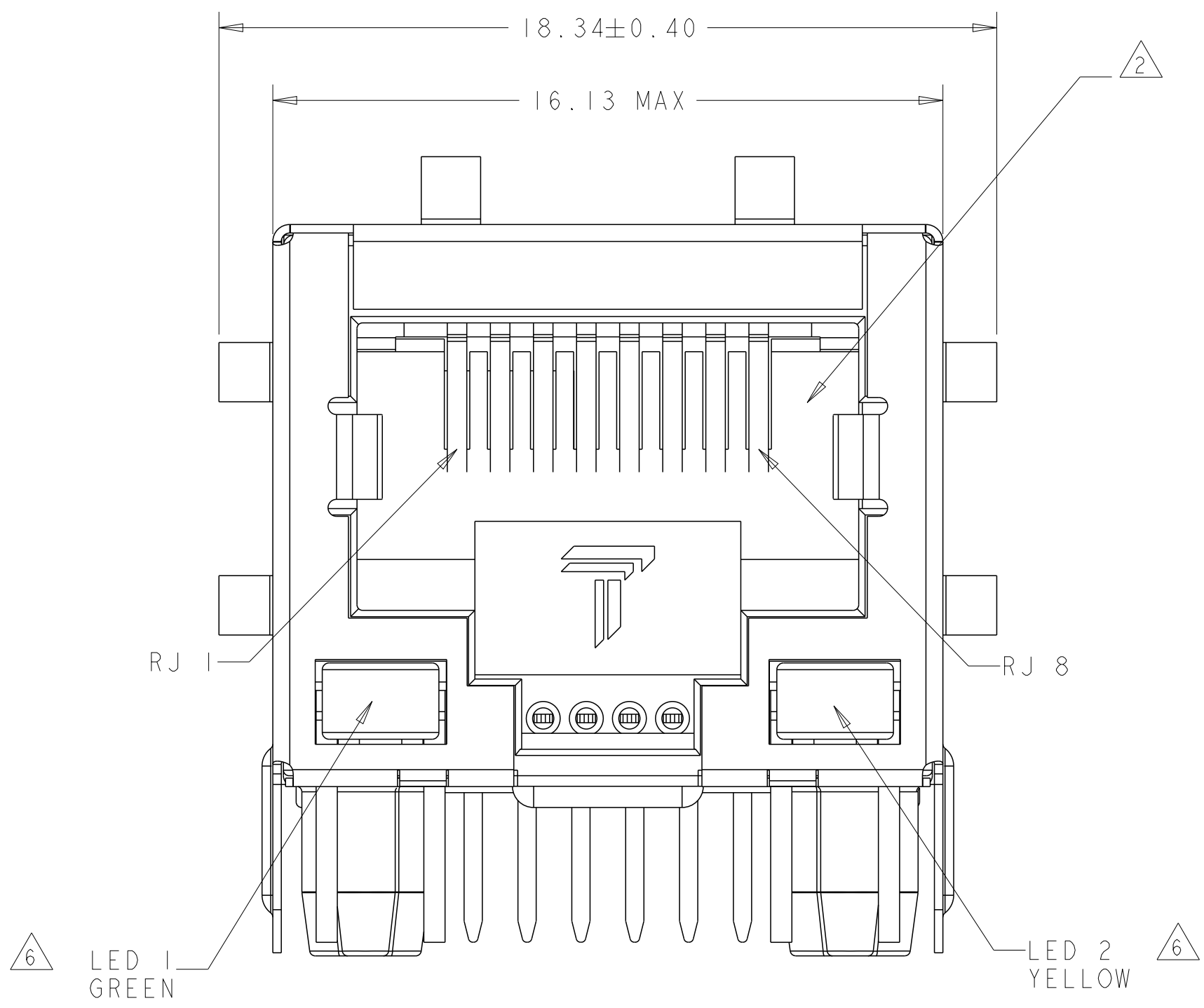
4. OPERATING TEMPERATURE: FROM 0°C TO +70°C.

5. INDICATED MAGNETIC CONNECTIONS ARE SYMMETRICAL TO SUPPORT AUTO-MDI/MDIX.

6. LEDS ARE DRIVEN WITH CONSTANT CURRENT AT APPROX 20mA
- LED COLOR: DOMINATE WAVELENGTH (λD): GREEN 568 nm TYP. AT IF = 20mA
 FORWARD VOLTAGE (VF): GREEN 2.2V TYP. at IF = 20mA
 DOMINATE WAVELENGTH (λD): YELLOW 588 nm TYP. AT IF = 20mA
 FORWARD VOLTAGE (VF): YELLOW 2.1V TYP. at IF = 20mA

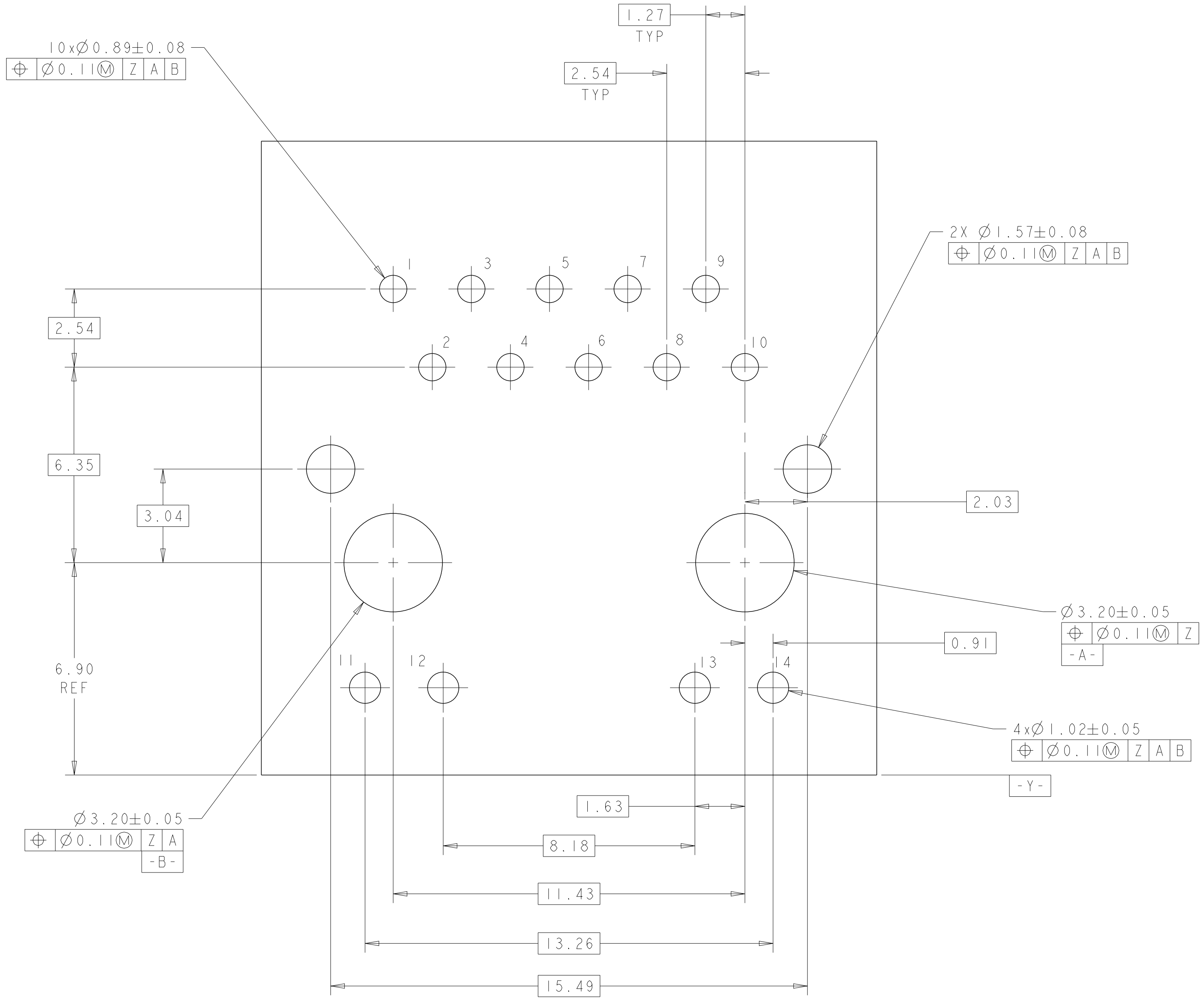
7. TRP CONNECTOR LOGO, PART NUMBER, DATE CODE, COUNTRY OF ORIGIN AND AGENCY APPROVAL MARKING IN APPROXIMATE LOCATION SHOWN. DATE CODE: YY IS YEAR, WW IS WORK WEEK, D IS DAY OF WEEK WITH SUNDAY=1.

8. THIS PART IS RECOMMENDED FOR WAVE SOLDERING PROCESS,PREHEAT TEMPERATURE IS 120°C TO 160°C, 120 SECONDS TO 180 SECONDS, PEAK WAVE SOLDERING TEMPERATURE IS 260°C MAX,10 SECONDS MAX.

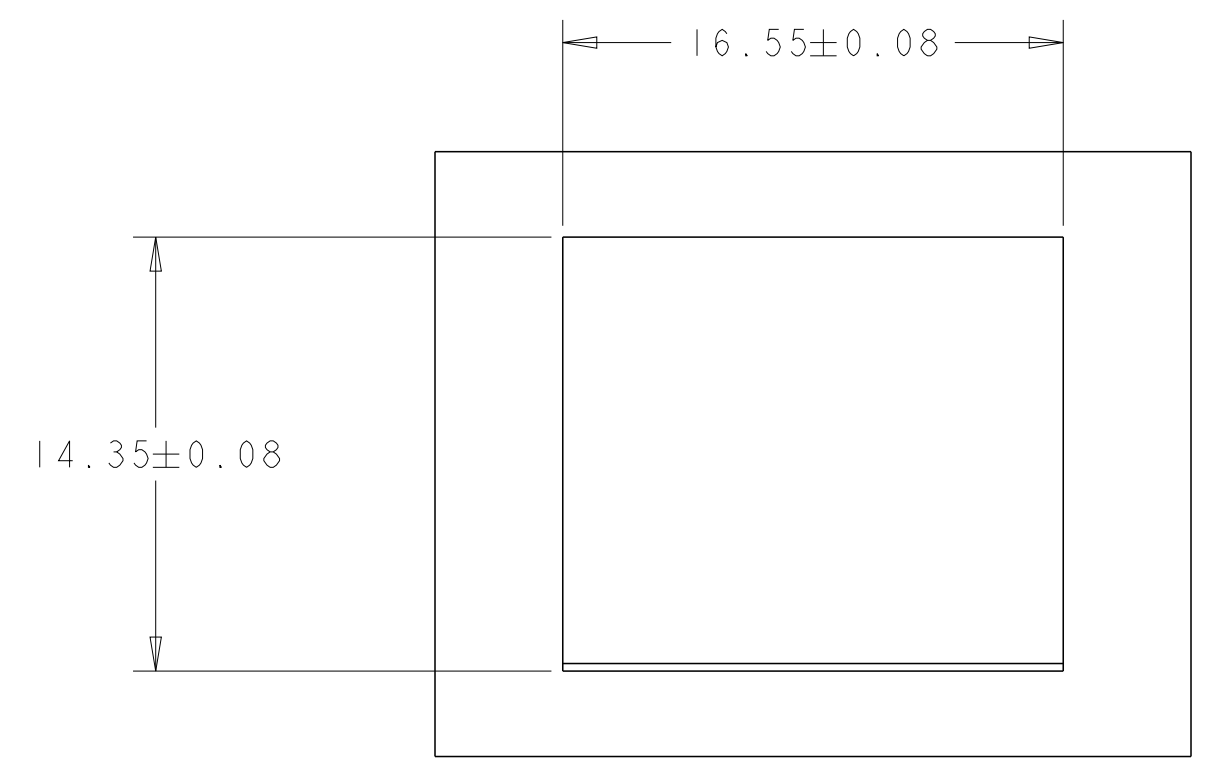


1840494-1
 PART NO.

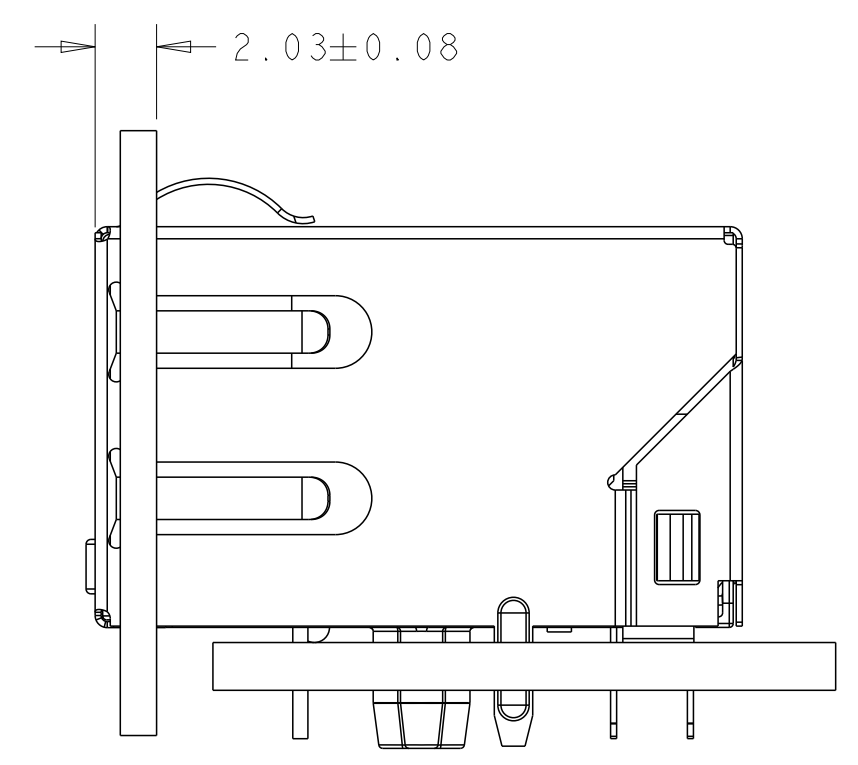
THIS DRAWING IS A CONTROLLED DOCUMENT.		DWN: WILLIAN/JOHNSON 09 JUN2010 CHS: TOWER YU 09 JUN2010 APVD: HEI TH ZHU 09 JUN2010	DONGGUAN CHINA
DIMENSIONS: mm TOLERANCES UNLESS OTHERWISE SPECIFIED: 0 PLC ±0.25 1 PLC ±0.25 2 PLC ±0.25 3 PLC ±0.25 4 PLC ±0.25 ANGLES ±° APPLICATION SPEC ±°	MODEL NAME: MAGJACK DESC: I XI 4G45P2 GIGABIT TAB DOWN W/ LED SIZE: A1 CAGE CODE: C=1840494 CUSTOMER DRAWING	RESTRICTED TO: - SCALE: 4:1 SHEET: 1 OF 2 REV: 4	
PRODUCT SPEC: 108-104004	APPLICATION SPEC: -	MODEL NAME: MAGJACK DESC: SINGLE Non-PoE	RESTRICTED TO: -



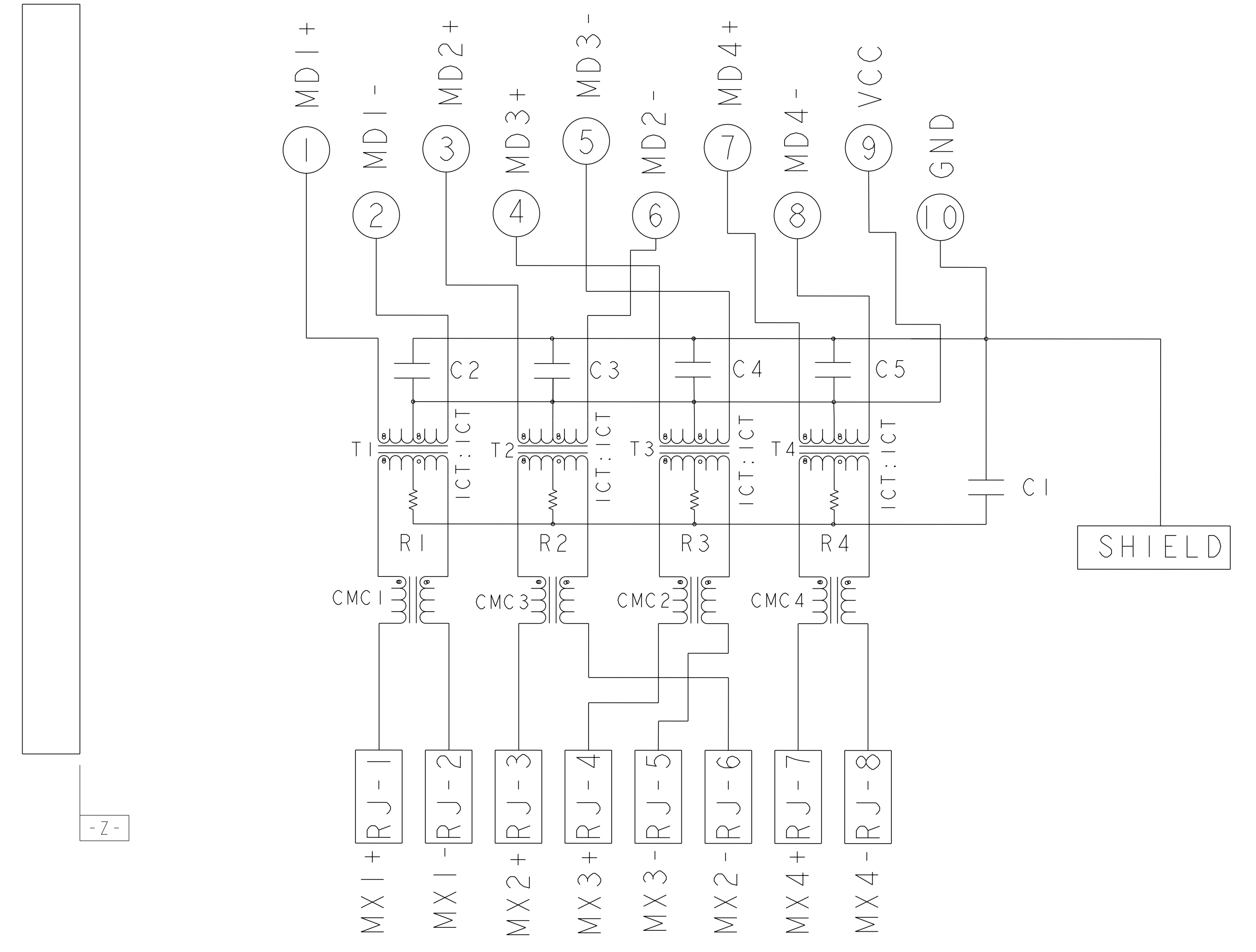
SUGGESTED PCB LAYOUT
COMPONENT SIDE



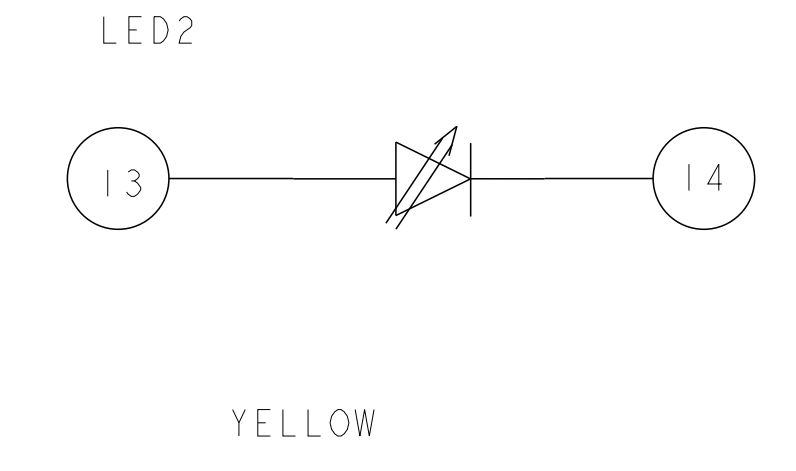
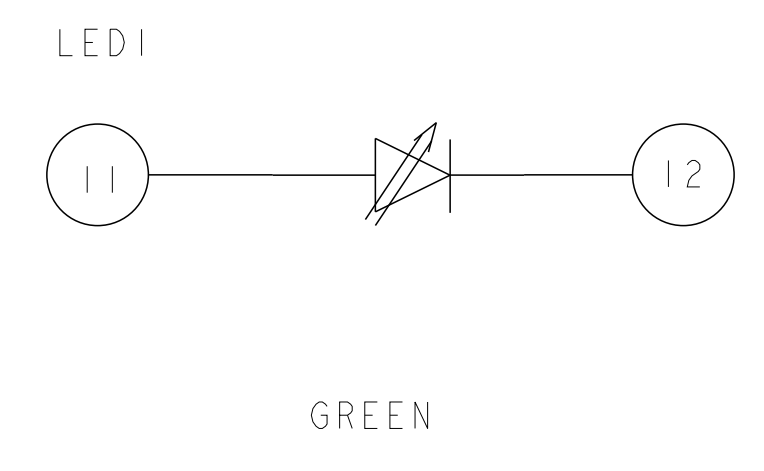
SUGGESTED PANEL CUTOUT
SCALE 4:1



4G45P2 GIGABIT CIRCUIT



R1-R4 = 75 Ohms, 1/16W RESISTORS
 C1 = 1000pF, 2kV CAPACITOR
 C2 - C5 = 0.1µF, 50V, X7R CAPACITORS



THIS DRAWING IS A CONTROLLED DOCUMENT.		OWN: WILLIAN JOHNSON 09 JUN2010		DONGGUAN CHINA
DIMENSIONS: mm		CHK: TOWER YU 09 JUN2010		DESC: IXL1 4G45P2 GIGABIT TAB DOWN W/ LED
TOLERANCES UNLESS OTHERWISE SPECIFIED:		APVD: KEITH ZHU 09 JUN2010	MODEL NAME: MAGJACK	RESTRICTED TO: -
0 PLC ±0.25 1 PLC ±0.25 2 PLC ±0.25 3 PLC ±0.25 4 PLC ±0.25 ANGLES ±° APPLICATION SPEC ±°		PRODUCT SPEC: 108-104004	SIZE: A1	CAGE CODE: C=1840494
CUSTOMER DRAWING			SCALE: 4:1	SHEET: 2 OF 2 REV: 4